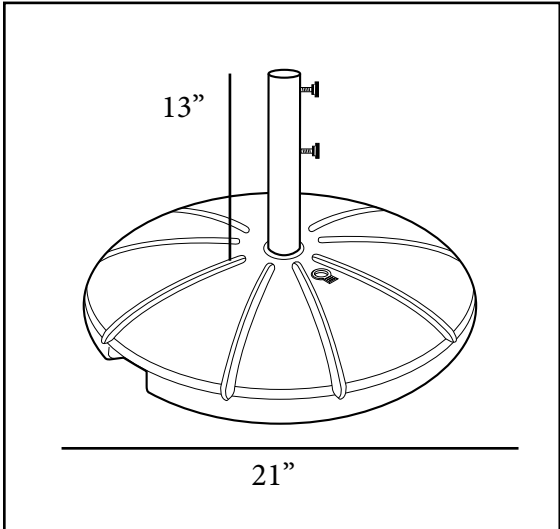




Resin Umbrella Base with Filling Cap



For Use with All Grosfillex® Tables

Features & Benefits **Warranty: 1 Yr.**

- Specifically designed to fit under any Grosfillex® 32” square and 38” round folding table and large 48” round resin tables.
- Must be filled with water or sand to weigh 35 to 40 lb. for stability.
- Made of 100% prime resin, material naturally impervious to moisture, salt air, and chlorine.
- Built in resin glides will not stain, nor mar your terrace or deck.
- Two thumb screws to anchor the umbrella pole.
- Will not peel or rust in the hot sun.
- Easy to clean with soap and water.

Product Specifications						
Product Description	Reference Number	Color	UPC Code	Weight Each (lbs.)	Master Pack	Master Pack Volume (cu. ft.)
Resin Umbrella Base with Fill Cap	US602104	White	912929	6.00	1	1.06
	US602166	Sandstone	912936			
	US602117	Black	912943			
	US602137	Bronze	912950			