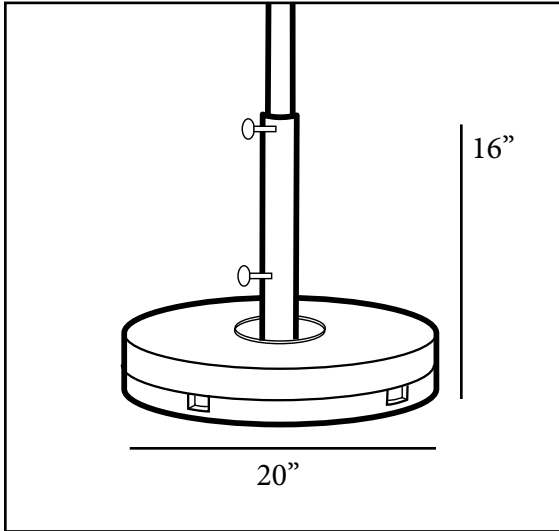




70 lb. Market Umbrella Base with 16" Stem Includes Umbrella Base Ring



Features & Benefits **Warranty: 1 Yr.**

- 70-pound cement filled resin umbrella base.
- Molded anchor bolt holes to secure base to deck for extra stability.
- Long, reinforced stem with two thumb screws specifically designed for market umbrellas with 2" pole - can be retrofitted to accommodate a 1 1/2" pole.
- Will not rust or mar your deck.
- U.V. resistant and easy to clean with soap and water.

Product Specifications						
Product Description	Reference Number	Color	UPC Code	Weight Each (lbs.)	Master Pack	Master Pack Volume (cu. ft.)
70 lb. Market Umbrella Base 1 1/2" Pole and 2" Pole with 16" Stem - For use with Freestanding Umbrellas Only	US607004	White	912882	70.00	1	1.69
	US607066	Sandstone	912899			
	US607017	Black	912905			