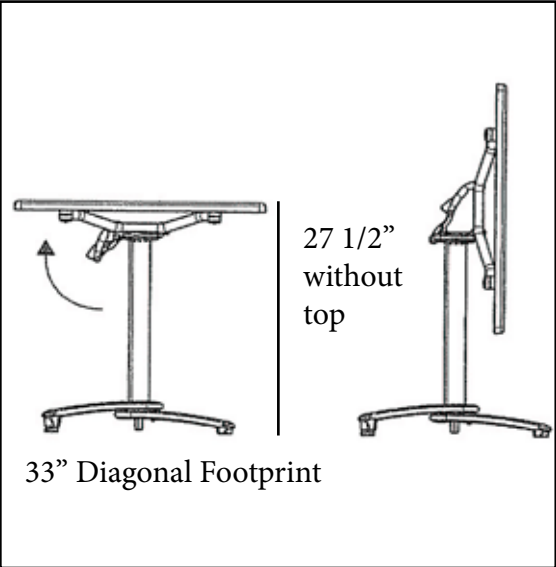




Aluminum Tilt Top Base 200

Folds for Easy Daily Storage!



Features & Benefits **Warranty: 2 Yrs.**

- Specifically designed for indoor/outdoor hospitality and food service use.
- For use with Grosfillex molded melamine 32" Square & HPL tables: 36" Round, and 30"x42" sizes.
- Heavy duty powder coated aluminum construction for structural integrity.
- Patented single action handle for ease of operation.
- Table legs interlock/nest for compact storage.
- Two adjustable leg levellers balance table on uneven surfaces.
- Easy to assemble.
- Easy to secure with metal chain and padlock.

Product Specifications						
Product Description	Reference Number	Color	UPC Code 014306	Weight Each (lbs.)	Master Pack	Master Pack Volume (cu. ft.)
Aluminum Tilt Top Base 200	US809017	Black	140162	19.77	1	2.18
	US809009	Silver Gray	141589			