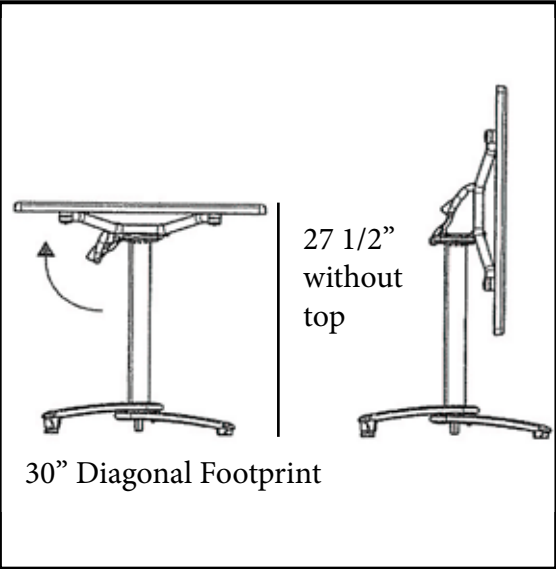




# Aluminum Tilt Top Base 100

**Folds for Easy Daily Storage!**



**Features & Benefits** **Warranty: 2 Yrs.**

- Specifically designed for indoor/outdoor hospitality and food service use.
- For use with Grosfillex molded melamine 24"x32" & HPL tables: 24"x30" & 30" square sizes.
- Heavy duty powder coated aluminum construction for structural integrity.
- Patented single action handle for ease of operation.
- Table legs interlock/nest for compact storage.
- Two adjustable leg levellers balance table on uneven surfaces.
- Easy to assemble.
- Easy to secure with metal chain and padlock.

<b>Product Specifications</b>						
Product Description	Reference Number	Color	UPC Code 014306	Weight Each (lbs.)	Master Pack	Master Pack Volume (cu. ft.)
Aluminum Tilt Top Base 100	US809117	Black	140179	15.55	1	2.18
	US809109	Silver Gray	141626			