

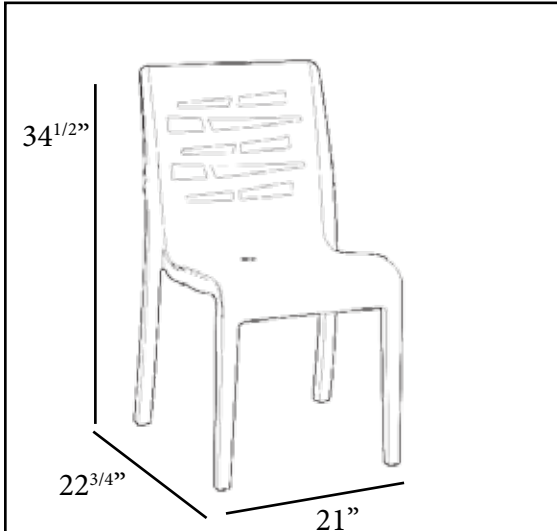


New!

E
X
T
E
R
I
O
R

Essenza Stacking Chair

Passes ASTM F 1561-96 Class B performance standard for commercial use.



Features & Benefits **Warranty: 5 Yrs.**

- Crafted from Grosfillex® technopolymer with Air Molding Technology for durability
- BIFMA X5.1-11 certified for indoor/outdoor business use
- Stackable for easy storage
- Nylon footpads to resist abrasive surfaces
- Made of recyclable polymer
- Will not get hot in the sun
- Easy to clean with soap and water
- Made in the U.S.A.



Product Specifications

Product Description	Reference Number	Color	UPC Code 014306	Weight Each (lbs.)	Master Pack	Master Pack Volume (cu. ft.)
New! Essenza Stacking Chair	US218414	Red	921815	10.25	16	34.11
	US812414	Red	921815	10.68	4	16.96
	US218019	Orange	921822	10.25	16	34.11
	US812019	Orange	921822	10.68	4	16.96
	US218152	Fern Green	920658	10.25	16	34.11
	US812152	Fern Green	920658	10.68	4	16.96
	US218181	Taupe	921839	10.25	16	34.11
	US812181	Taupe	921839	10.68	4	16.96