



GLO-RAY® DESIGNER BUFFET WARMERS

Models GR2BW-24, -30, -36, -42, -48, -54, -60, -66, -72

Hatco Glo-Ray® Designer Buffet Warmer is designed to safely keep food at optimum serving temperatures.

Combining state-of-the-art design with performance, these buffet warmers place the focus on the product while holding and protecting food. The modern design is perfect for front-of-the-house use, with Designer powdercoating that blends into any décor.

FLEXIBILITY

Ideal for holding hot food at kitchen work areas, waitress pick-up stations, or customer serving points.

The Designer series warmers come standard with black inset panels. Choose from six other color options to blend the warmer with any décor, or choose a unit in one of seven Designer colors. Non-standard colors are non-returnable.

QUALITY

The following features assure the finest performance for years to come:

- Choose from seven Designer color inset panels that enhance any décor, with the option of an entire unit in color as well.
- All models feature a thermostatically-controlled hardcoated heated base to extend the holding times of most food, and a 6' (1829 mm) cord and plug set.
- Prefocused infrared top heat bathes entire holding surface, especially the edges where heat loss is the greatest.
- Shatter-resistant incandescent lights enhance product display while safeguarding food products from bulb breakage.
- Sturdy plexi-glass sneeze guards provide a safe environment when serving food.



Model GR2BW-30 with Designer color inset panels and accessory food pans



Model GR2BW-30 in optional Designer color with accessory food pans



ONE YEAR ON-SITE PART AND LABOR WARRANTY, PLUS ONE ADDITIONAL YEAR PARTS-ONLY WARRANTY ON ALL GLO-RAY METAL SHEATHED HEATING ELEMENTS.



ANSI/NSF 4

HATCO CORPORATION P.O. Box 340500 Milwaukee, WI 53234-0500 U.S.A.
 (800) 558-0607 • (414) 671-6350 • Fax (800) 543-7521 • Int'l. Fax (414) 671-3976
 www.hatcocorp.com • E-mail: equipsales@hatcocorp.com

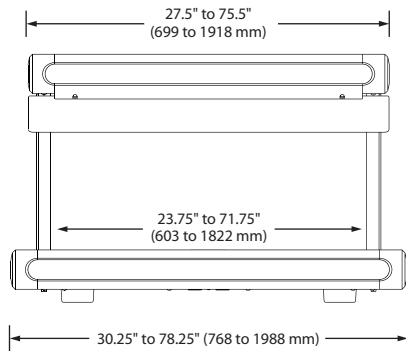
Form No. GR2BW Spec Sheet

Printed in U.S.A.
 September 2012

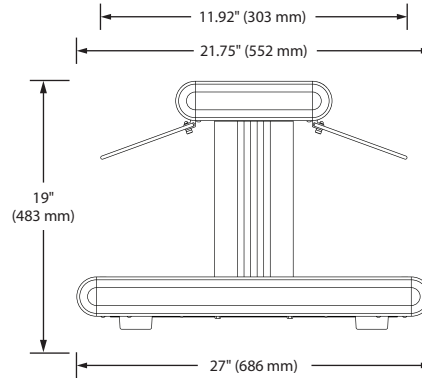


GLO-RAY® DESIGNER BUFFET WARMERS

Models GR2BW-24, -30, -36, -42, -48, -54, -60, -66, -72



Front View



Side View

SPECIFICATIONS

Model [▲]	Watts	Width	Shipping Weight
GR2BW-24	970	30.25" (768 mm)	76 lbs. (34 kg)
GR2BW-30 [*]	1230	36.25" (921 mm)	85 lbs. (39 kg)
GR2BW-36	1470	42.25" (1073 mm)	97 lbs. (44 kg)
GR2BW-42 [†]	1790	48.25" (1226 mm)	110 lbs. (50 kg)
GR2BW-48 [†]	2040	54.25" (1378 mm)	125 lbs. (57 kg)
GR2BW-54 [†]	2290	60.25" (1530 mm)	130 lbs. (59 kg)
GR2BW-60 [†]	2660	66.25" (1683 mm)	154 lbs. (70 kg)
GR2BW-66 [†]	2920	72.25" (1835 mm)	169 lbs. (77 kg)
GR2BW-72 [†]	3185	78.25" (1988 mm)	186 lbs. (84 kg)

▲ When no color is specified, *Designer* color inset panels will be black.

* Indicates models that accommodate multiple food pans: 30" (762 mm) = 2 pans, 42" (1067 mm) = 3 pans, 54" (1372 mm) = 4 pans, and 66" (1676 mm) = 5 pans.

† NSF requires units over 36" (914 mm) in width or weighing more than 80 lbs. (36 kg) to be either sealed, or raised on the installation surface with the 4" (102 mm) legs included.

DIMENSIONS

30.25"-78.25"W x 27"D (including breath protectors) x 19"H*
(768-1988 x 686 x 483 mm).

Heated Surface: 23.75"-71.75"W x 21.75"D (603-1822 x 552 mm).

* Add 3" (76 mm) to height when using 4" (102 mm) legs.

VOLTAGE

GR2BW-24 & -30: 120 volts, 3-wire (uses NEMA 5-15P).▼

GR2BW-36 & -42: 120 volts, 3-wire (uses NEMA 5-15P, NEMA 5-20P – Canada).▼

GR2BW-48 & -54: 120 volts, 3-wire (uses NEMA 5-20P).

Not available in 120V for Canada.▼

GR2BW-60, -66, & -72: 120/208 or 120/240 volts, single phase, 4-wire (uses NEMA L14-20P).

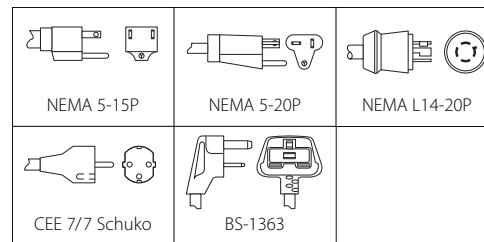
▼ Also available in 120/208 volts or 120/240 volts, single phase, 4-wire (uses NEMA L14-20P).

Export voltages available.

CORD LOCATION

Center of bottom on control side.

PLUG CONFIGURATIONS



OPTIONS (NOT FOR RETROFIT)

- Unit and Inset Panel *Designer* Colors: Warm Red, Black, Gray Granite, White Granite, Navy Blue, Hunter Green, Antique Copper, non-standard colors are non-returnable
- Plexi-Glass front and two side enclosures (in lieu of sneeze guards)
- Two plexi-glass side enclosures
- Infinite Control (GR2BW-24 through GR2BW-60 models only for top heat)
- 14" (356 mm) sneeze guard (In lieu of standard 7.5" (191 mm))

- Halogen Bulbs in lieu of Standard Display Lights
- Dark Gray *Designer* corner caps (Black is standard)

ACCESSORIES

- 4" (102 mm) *Designer* Legs (Standard on units GR2BW-42 and larger)
- Stainless Steel Food Pans
- Wire Trivets – Stainless Steel or Plated

PRODUCT SPECS

Designer Buffet Warmer

The *Designer* Buffet Warmer shall be a Glo-Ray® Model ... as manufactured by the Hatco Corporation, Milwaukee, WI 53234 U.S.A.

The Warmer shall be rated at ... watts, ... volts, and be ... inches (millimeters) in overall width. It shall consist of a thermostatically-controlled heated base, *Designer* color inset panels, and a cord with plug attached.

The Warmer includes infrared heat from above, sneeze guards, and

incandescent display lights. The infrared heating element shall be tubular metal sheathed and the base shall be a blanket element.

Accessories shall include stainless steel food pans, wire trivets, and 4" (102 mm) *Designer* legs.

One year on-site parts and labor warranty, plus one additional year parts-only warranty on all Glo-Ray metal sheathed heating elements, with 24/7 service (U.S. and Canada only).

HATCO CORPORATION P.O. Box 340500 Milwaukee, WI 53234-0500 U.S.A. • (800) 558-0607 • (414) 671-6350
Fax (800) 543-7521 • Int'l. Fax (414) 671-3976 • www.hatcocorp.com • E-mail: equipsales@hatcocorp.com