



GLO-RAY[®] HEATED STONE SHELVES

Models GRSSR-16, -18, -20 GRSS-2418, -3018, -3618, -4818, -6018, -7218
GRSSB-2418, -3018, -3618, -4818, -6018, -7218 GRSSR20-DL77516

The Hatco Glo-Ray Heated Stone Shelf has a blanket-type foil element to create uniform heat across the entire Swanstone[®] surface, an approved food-safe material. Adjustable thermostat controls allow easy control of surface temperature.

Recommended for use in metallic counters. For other surfaces, verify that the material is suitable for temperature up to 200°F (93°C). Hatco is not responsible for counter damage caused by heat from the warmer.

FLEXIBILITY

Ideal for use on buffet lines and hors d'oeuvre displays, these unique foodwarmers are available in portable and built-in models, and in four Decorative Stone colors to match or compliment any display area. They feature a thermostatically-controlled heated base to help hold your food hot and delicious.

Built-in models include a remote box with a 3' (914 mm) conduit. Portable units come with a 6' (1829 mm) cord and plug.

QUALITY

The following features assure the finest performance for years to come:

- Hatco Heated Stone Shelves are approved food-safe materials, available in portable and built-in models.
- Four Decorative Stone colors for the shelf: Gray Granite, Bermuda Sand, Night Sky, and Sawgrass.
- Seven *Designer* colors for the GRSSR20-DL77516 model and GRSSR base.
- Every Heated Stone Shelf features a thermostatically-controlled heated base to help hold your food hot and delicious.
- Accessory Riser 3" or 5" (76 or 127 mm) in stainless steel (standard) or available in *Designer* colors (GRSSR models only).

NOTE: For any size GRSSB, the next larger size GRA, GR2A, or GR3 will fit over the top. For example, a GRSSB-3018 will require a GRA-36, a GR2A-36, or a GR3L-35. The GRA and GR3 will have a tight fit to the frame of the base. The GR2A will have approximately a 4" (102 mm) space.



Model GRSSR-16
with optional 3"
(76 mm) Riser

Model GRSSR-18
with optional 5"
(127 mm) Riser

Model GRSSR-20



Two GRSS-3618 Models



Model GRSSR20-DL77516



Model GRSSB-3618 and stainless steel strip
shown below Model GR3L-41 Heated Glass
Overshelf with accessory sneeze guard

GRSSB Countertop Cut-Out Dimensions

Model	Minimum Width	Maximum Width	Minimum Depth	Maximum Depth
GRSSB-2418	24.62" (625 mm)	24.87" (632 mm)	18.62" (473 mm)	18.87" (479 mm)
GRSSB-3018	30.62" (778 mm)	30.87" (784 mm)	18.62" (473 mm)	18.87" (479 mm)
GRSSB-3618	36.62" (930 mm)	36.87" (937 mm)	18.62" (473 mm)	18.87" (479 mm)
GRSSB-4818	48.62" (1235 mm)	48.87" (1241 mm)	18.62" (473 mm)	18.87" (479 mm)
GRSSB-6018	60.62" (1540 mm)	60.87" (1546 mm)	18.62" (473 mm)	18.87" (479 mm)
GRSSB-7218	72.62" (1845 mm)	72.87" (1851 mm)	18.62" (473 mm)	18.87" (479 mm)



HATCO CORPORATION P.O. Box 340500 Milwaukee, WI 53234-0500 U.S.A.
(800) 558-0607 • (414) 671-6350 • Fax (800) 543-7521 • Int'l. Fax (414) 671-3976
www.hatcocorp.com • E-mail: equipsales@hatcocorp.com

BLANKET ELEMENTS GUARANTEED AGAINST BURNOUT AND
BREAKAGE FOR ONE YEAR.

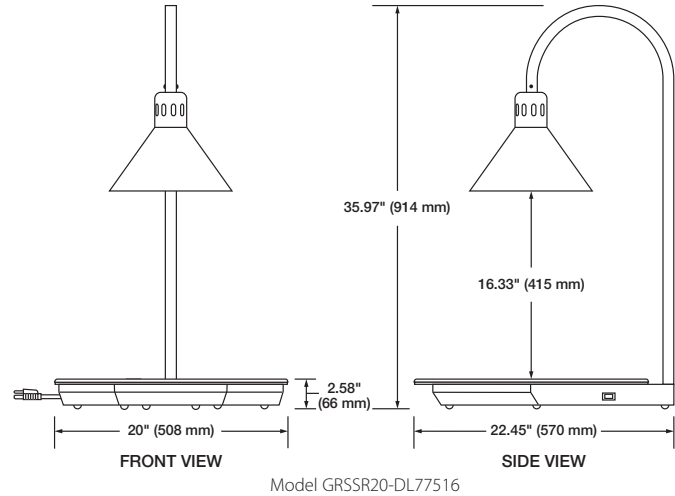
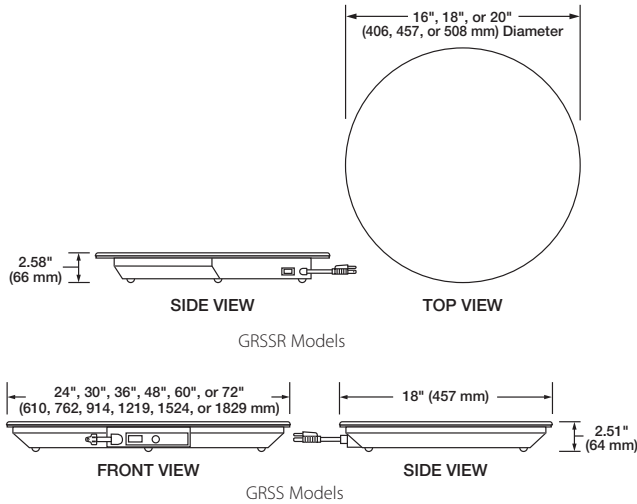
Form No. GRSS/B/R Spec Sheet

Printed in U.S.A.
September 2011



GLO-RAY® HEATED STONE SHELVES

Models GRSSR-16, -18, -20 GRSS-2418, -3018, -3618, -4818, -6018, -7218
GRSSB-2418, -3018, -3618, -4818, -6018, -7218 GRSSR20-DL77516



SPECIFICATIONS

Round Models

Model	Watts	Amps	Diameter	Shipping Weight
GRSSR-16	250	2.1	16" (406 mm)	15 lbs. (7 kg)
GRSSR-18	325	2.7	18" (457 mm)	15 lbs. (7 kg)
GRSSR-20	400	3.3	20" (508 mm)	20 lbs. (9 kg)

Round Model with Display Lamp

Model	Watts	Amps	Width	Shipping Weight
GRSSR20-DL77516	650	5.4	20" (508 mm)	40 lbs. (18 kg)

Portable Models

Model	Watts	Amps	Width	Shipping Weight
GRSS-2418	635	5.3	24" (610 mm)	22 lbs. (10 kg)
GRSS-3018	780	6.5	30" (762 mm)	27 lbs. (12 kg)
GRSS-3618	930	7.8	36" (914 mm)	32 lbs. (15 kg)
GRSS-4818	1270	10.6	48" (1219 mm)	44 lbs. (20 kg)
GRSS-6018	1560	13.0	60" (1524 mm)	54 lbs. (25 kg)
GRSS-7218	1860	15.6	72" (1829 mm)	64 lbs. (29 kg)

Built-in Models

Model	Watts	Amps	Heated Width	Shipping Weight
GRSSB-2418	635	5.3	24" (610 mm)	27 lbs. (12 kg)
GRSSB-3018	780	6.5	30" (762 mm)	32 lbs. (15 kg)
GRSSB-3618	930	7.8	36" (914 mm)	37 lbs. (17 kg)
GRSSB-4818	1270	10.6	48" (1220 mm)	54 lbs. (25 kg)
GRSSB-6018	1560	13.0	60" (1524 mm)	64 lbs. (29 kg)
GRSSB-7218	1860	15.6	72" (1829 mm)	74 lbs. (34 kg)

Temperature Range: 100°-200°F (38°-93°C).

OPTIONS (NOT FOR RETROFIT)

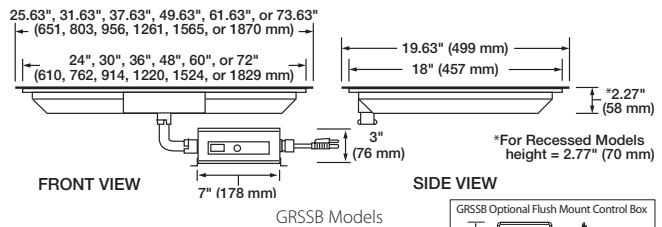
- Decorative Stone Colors: Gray Granite, Bermuda Sand, Night Sky, Sawgrass
- Designer Colors: Warm Red, Black, Gray Granite, White Granite, Navy Blue, Hunter Green, Antique Copper (Flush Mount Control Box Bezel for GRSSB models only) (GRSSR20-DL77516 model and GRSSR Base and Riser only)
- Flush mount recessed thermostatic control box with lighted On/Off rocker switch and angled recessed controls (GRSSB models only)
- Built-in Heated Stone Shelf with Recessed Top (GRSSB models only)

PRODUCT SPECS

Heated Stone Shelf

The Heated Stone Shelf shall be a Glo-Ray® Model ... as manufactured by the Hatco Corporation, Milwaukee, WI 53234 U.S.A.

With 24/7 parts and service assistance (U.S. and Canada only), the Heated Stone Shelf shall be rated at ... watts, ... volts, and ... inches (millimeters) in overall width. It shall consist of food-safe material, thermostatically-controlled heated base, and a 6' (1829 mm) cord with plug attached (portable models) or remote box with 3' (914 mm) conduit (GRSSB models only).



DIMENSIONS

GRSSR-16, -18, -20: 16", 18", 20" Dia. x 2.58"H (406, 457, 508 x 66 mm).

GRSSR20-DL77516: 20"W x 22.45"D x 35.97"H (508 x 570 x 914 mm).

GRSS-2418, -3018, -3618, -4818, -6018, -7218: 24", 30", 36", 48", 60", or 72"W x 18"D x 2.51"H (610, 762, 914, 1219, 1524, or 1829 x 457 x 64 mm).

GRSSB-2418, -3018, -3618, -4818, -6018, -7218: 25.63", 31.63", 37.63", 49.63", 61.63", or 73.63"W x 19.63"D x 2.27"H (651, 803, 956, 1261, 1565, or 1870 x 499 x 58 mm).

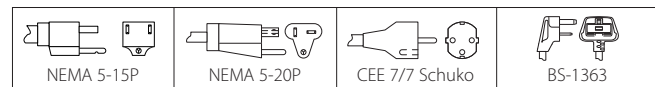
VOLTAGE

120 volts, single phase only, (uses NEMA 5-15), (GRSS-6018, GRSS-7218, GRSSB-6018, and GRSSB-7218 use NEMA 5-20P). Export voltages available.

CORD LOCATION

GRSSR Models and GRSSR20-DL77516: Back side on base.
GRSS Models: Center of side with switch.
GRSSB Models: End of remote enclosure.

PLUG CONFIGURATIONS



ACCESSORIES

- Curved Swanstone® Cutting Board with Juice Groove (GRSSR models and GRSSR20-DL77516 only)
- 3" or 5" (76 or 127 mm) Risers (GRSSR Models only)
- Rounded Designer Black Powdercoated Handles (GRSS models only)

With 24/7 parts and service assistance, the Heated Stone Shelf with Display Lamp shall be rated at ... watts, ... volts, and ... inches (millimeters) in overall width. It shall consist of a food-safe material, thermostatically-controlled heated base, and a 6' (1829 mm) cord with plug attached.

The Lamp shall be ... inches (millimeters) in overall length and be ... inches (millimeters) away from the shelf. It shall consist of a powdercoated vented lamp shade with heat bulb and mounting.

HATCO CORPORATION P.O. Box 340500 Milwaukee, WI 53234-0500 U.S.A. • (800) 558-0607 • (414) 671-6350
Fax (800) 543-7521 • Int'l. Fax (414) 671-3976 • www.hatcocorp.com • E-mail: equipsales@hatcocorp.com