



MINI DISPLAY WARMER

Models MDW-1X, -2X

The Hatco Mini Display Warmer holds and serves products like sandwiches, cookies, and pretzels at temperatures up to 180°F (82°C). Perfect for convenience stores, restaurants, recreational facilities, and theme parks, and anywhere there is limited counterspace.

FLEXIBILITY

The non-humidified Mini Display Warmer allows food to be showcased on three magnetically adjustable shelves for maximum visibility. One or two-door models are available for server and self-serve operations. The optional hood with backlit sign cutout can be rotated to face any side. Unit available in *Designer* colors with black hood.

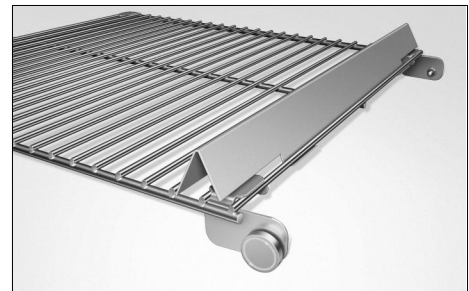
QUALITY

The following features assure the finest performance for years to come:

- Three magnetically adjustable shelves for horizontal or slanted displays provide flexibility for a variety of product choices.
- Tempered glass sides and incandescent light to showcase food products.
- Optional hood with backlit sign cutout (sign included) can be rotated to face any side.
- Single door or pass-through models available. Doors are field reversible for right or left opening and can be on any side of the unit.
- Thermostat control with rocker switch for precise temperature control.



Model MDW-1X with hood and backlit sign cutout on one side (sign included)



Magnetically adjustable shelves provide flexibility for a variety of product choices

ONE YEAR ON-SITE PARTS AND LABOR WARRANTY, PLUS ONE ADDITIONAL YEAR PARTS-ONLY WARRANTY ON ALL MINI DISPLAY WARMER METAL SHEATHED AIR HEATING ELEMENTS.



ANSI/NSF 4

HATCO CORPORATION P.O. Box 340500 Milwaukee, WI 53234-0500 U.S.A.
 (800) 558-0607 • (414) 671-6350 • Fax (800) 543-7521 • Int'l. Fax (414) 671-3976
www.hatcocorp.com • E-mail: equipsales@hatcocorp.com

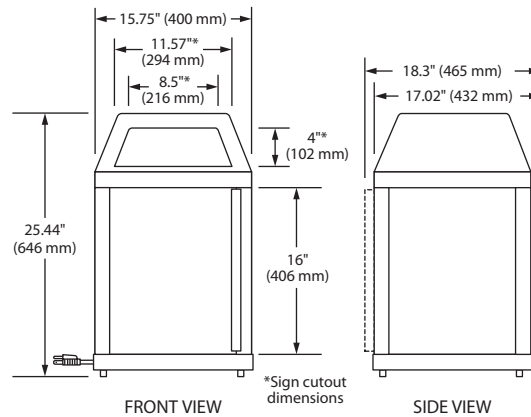
Form No. MDW Spec Sheet

Printed in U.S.A.
 September 2012



MINI DISPLAY WARMER

Models MDW-1X, -2X



SPECIFICATIONS

Model	Type	Shipping Weight
MDW-1X	1 Door w/3 Shelves	46 lbs. (21 kg)
MDW-2X	2 Doors w/3 Shelves	53 lbs. (23 kg)

DIMENSIONS

MDW-1X: 15.75" W x 17.02" D x 25.44" H (400 x 432 x 646 mm).

MDW-2X: 15.75" W x 18.3" D x 25.44" H (400 x 465 x 646 mm).

Cabinet Opening: 12.4" W x 15.6" H (315 x 396 mm).

VOLTAGE

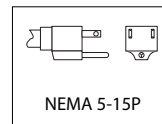
120 volts, 470 watts, 3.9 amps (uses NEMA 5-15P).

Export voltages available

CORD LOCATION

Facing controls, bottom right corner.

PLUG CONFIGURATIONS



OPTIONS (NOT FOR RETROFIT)

- Designer Colors: Warm Red, Black (standard), Gray Granite, White Granite, Navy Blue, Hunter Green, Antique Copper, non-standard colors are non-returnable
- Hood with Backlit Sign Cutout on One Side (Sign included)

ACCESSORIES

- Aluminum Tray

PRODUCT SPECS

Mini Display Warmer

The Mini Display Warmer shall be a Model ... rated at ... volts and ... watts, as manufactured by the Hatco Corporation, Milwaukee, WI 53234 U.S.A.

The Mini Display Warmer Cabinet shall have ... door(s), tempered glass sides and doors, and incandescent display light. It shall include

a temperature selector dial, On-Off rocker switch, three adjustable shelves, and a 6' (1829 mm) cord with plug attached.

One year on-site parts and labor warranty, plus one additional year parts-only warranty on all mini display warmer metal sheathed air heating elements, with 24/7 service (U.S. and Canada only).

HATCO CORPORATION P.O. Box 340500 Milwaukee, WI 53234-0500 U.S.A. • (800) 558-0607 • (414) 671-6350
 Fax (800) 543-7521 • Int'l. Fax (414) 671-3976 • www.hatcocorp.com • E-mail: equipsales@hatcocorp.com