



MULTI-PRODUCT WARMING STATION

Models MPWS-36, -45

Hatco Multi-Product Warming Station safely holds hot fried foods at optimum serving temperatures in kitchen work areas. The unit is designed for maximum durability and performance, with minimum maintenance.

FLEXIBILITY

Available as a *freestanding* model in two widths, built of rugged aluminum and stainless steel. The semi-enclosed chamber is equipped with pre-focused infrared heat from above and a thermostatically-controlled heated base to extend holding times of the food product.

Power to the unit is controlled by an on-off switch. The six overhead ceramic heating elements are adjusted by two separate electronic controls—one for the rear elements and one for the front elements. The temperature of the base heat is adjusted using a thermostatic control. Unit comes with a 6' cord (1829 mm).

This unit is designed with various accessories to customize the Multi-Product Warming Station. The ceramic heating elements are guaranteed against burnout and breakage for one year.

QUALITY

The following features assure the finest performance for years to come:

- Fry stations hold fried foods safely at optimum serving temperatures without affecting quality.
- Pre-focused heat maintains safe serving temperatures longer without continuing to cook the food.
- Features easy access to the food product.
- Coated shatter-resistant incandescent lights enhance brilliant product display while safeguarding food from bulb breakage (standard on all MPWS models).
- Easy installation.



Model MPWS-36 with accessory plastic food pans, angled risers, and fry pan and trivet



Model MPWS-36 with optional fry bin insert and scoop holder.



Model MPWS-36 with accessory fry pans and trivets, scoop holder, and fry ribbons



Model MPWS-36 with accessory fry pans and trivets, scoop holder, plastic food pans, and angled riser



Model MPWS-36 with accessory fry ribbons, plastic food pans and trivets, fry pan, and angled risers



CERAMIC AND BLANKET ELEMENTS GUARANTEED AGAINST BURNOUT AND BREAKAGE FOR ONE YEAR.

HATCO CORPORATION P.O. Box 340500 Milwaukee, WI 53234-0500 U.S.A.
 (800) 558-0607 • (414) 671-6350 • Fax (800) 543-7521 • Int'l. Fax (414) 671-3976
 www.hatcocorp.com • E-mail: equipsales@hatcocorp.com

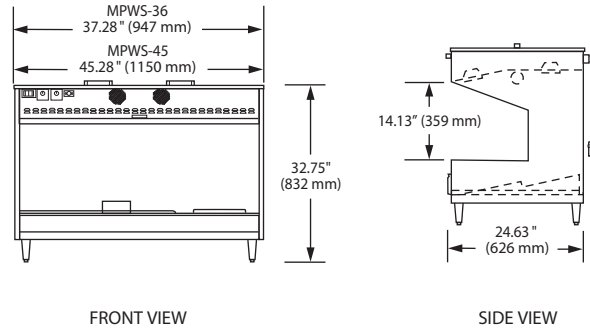
Form No. MPWS Spec Sheet

Printed in U.S.A.
 March 2011



MULTI-PRODUCT WARMING STATION

Models MPWS-36, -45



Model MPWS-36, -45

SPECIFICATIONS

Multi-Product Warming Station – Ceramic Elements

Model	Volts	Watts	Amps	Shipping Weight
MPWS-36	120/208	2773	14.2	175 lbs. (79 kg)
MPWS-45	120/208	2799	14.3	195 lbs. (88 kg)

■ Add 1/4" (32 mm) to width for each scoop holder.

Option Capacities

	Fry Pan and Trivet	Angled Risers
MPWS-36	1	3
	2	1
	0	5
MPWS-45	1	4
	2	2
	0	6

DIMENSIONS

MPWS-36: 37.28"W x 24.63"D x 32.75"H (947 x 626 x 832 mm).
MPWS-45: 45.28"W x 24.63"D x 32.75"H (1150 x 626 x 832 mm).

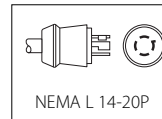
VOLTAGE

120/208 volts, single phase (uses NEMA L14-20P).

CORD LOCATION

Back side, upper left corner.

PLUG CONFIGURATIONS



OPTIONS

- Full Fry Bin Insert
- Halogen bulb in lieu of incandescent display light

ACCESSORIES

- 4 Pleat Hardcoated Fry Box Ribbon
- 5 Pleat Hardcoated Fry Bag Ribbon

- 6 Pleat Hardcoated Fry Bag/Box Ribbon
- Angled Riser
- Bag and Tong Holder
- Scoop Holder
- Fry Pan and Trivet

PRODUCT SPECS

Multi-Product Warming Station

The Multi-Product Warming Station shall be a Hatco Model ... as manufactured by the Hatco Corporation, Milwaukee, WI 53234 U.S.A. With 24/7 parts and service assistance (U.S. and Canada only), the Multi-Product Warming Station shall be rated at ... watts, ... volts, and be ... inches (millimeters) in overall width. It shall consist of both a stainless steel and aluminum housing with ceramic heating elements.

Portable warmer features, shatter-resistant incandescent display lights, an on-off switch, and 6' (1829 mm) cord and plug.

Accessories may include 4 Pleat Hardcoated Fry Box Ribbon, 5 Pleat Hardcoated Fry Bag Ribbon, 6 Pleat Hardcoated Fry Bag/Box Ribbon, Angled Riser, Bag and Tong Holder, Scoop Holder, Fry Pan with Trivet, and Full Fry Bin Insert