

HOBART701 S Ridge Avenue, Troy, OH 45374
1-888-4HOBART • www.hobartcorp.com**DRAWER
FILTER SYSTEM****HOBART****STANDARD FEATURES**

- Filter system accommodates:
 - minimum of two, maximum of four 45 lb. capacity tanks per fryer battery
 - minimum of two, maximum of three 65 lb. and 85 lb. capacity tanks per fryer battery
- Controls – solid state or computer
- Electronic ignition
- Auto basket lifts on computer control units only:
 - 45 lb. double auto lifts
 - 65 lb. single auto lifts
 - 85 lb. single or double auto lifts
- Drain valve interlock switch
- 18 gauge, #304 stainless steel filter vessel
- Casters
- Drawer style (seamless) filter pan. 80 lbs. frying compound capacity on HG45F & HG65F; 130 lbs. capacity on HG85F
- Paperless stainless steel filter screen filters from two sides (HG45 and HG65 surface area 300 sq. in.; HG85 surface area 532 sq. in.)
- 1/3 H.P. motor and pump circulates hot frying compound at a rate of 5.6 gallons per minute
- Oil discard hose - 6 ft. in length
- Large primary crumb catch basket
- Tank brush, stainless steel crumb scoop and clean-out rod
- 120 volt, 60 Hz, 1 phase

Specifications, Details and Dimensions on Reverse Side.

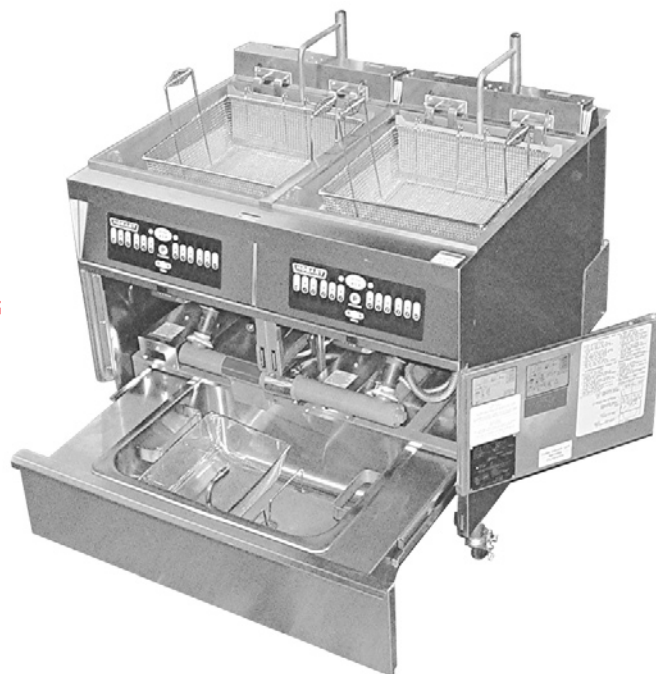
MODELS**Solid State Controls:**

- 2HG45DF
- 2HG65DF
- 2HG85DF

Computer Controls:

- 2HG45CF
- 2HG65CF
- 2HG85CF

Specifications, Details and Dimensions on Reverse Side.

**DRAWER FILTER SYSTEM**

DRAWER FILTER SYSTEM



701 S Ridge Avenue, Troy, OH 45374
1-888-4HOBART • www.hobartcorp.com

DETAILS AND DIMENSIONS

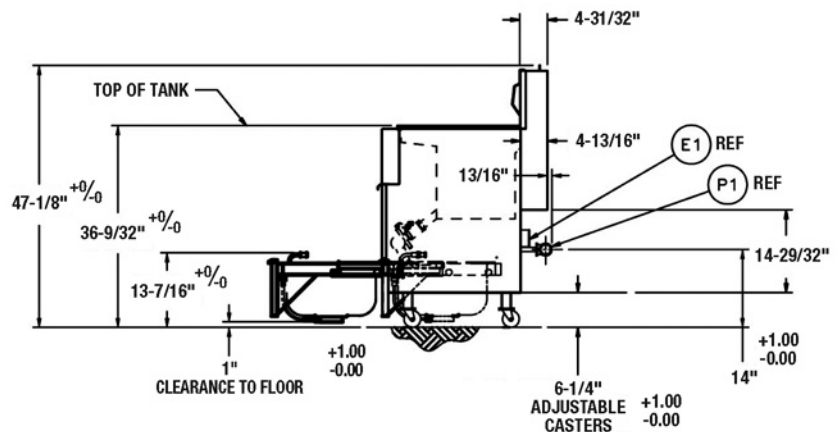
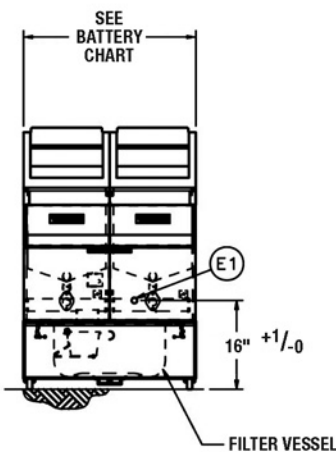
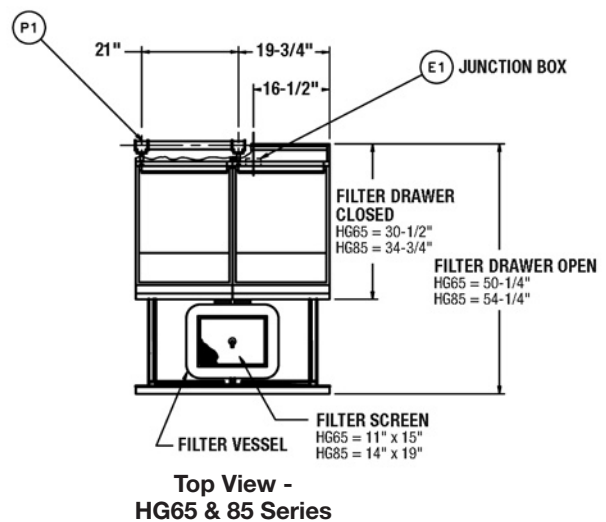
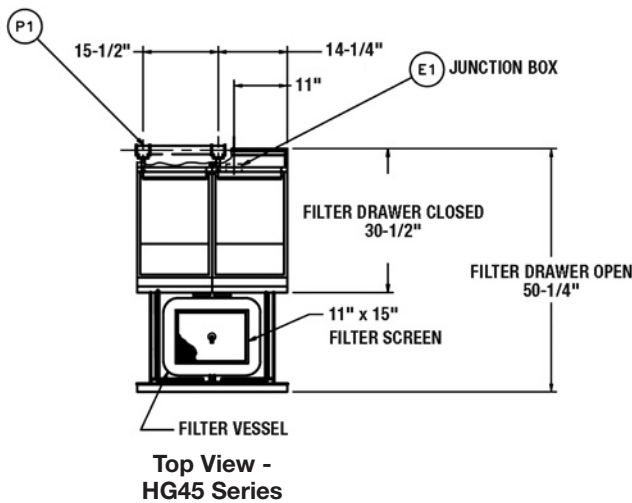
IMPORTANT

1. A combination valve with pressure regulator is provided with this unit.
Natural Gas 4.0" W.C.
Propane Gas 11.0" W.C.
2. An adequate ventilation system is required for Commercial Cooking Equipment. Information may be obtained by writing to the National Fire Protection Association, Batterymarch Park, Quincy, MA 02269. When writing refer to NFPA No. 96.
3. All models require a 6" clearance at both sides and rear adjacent to combustible construction.

4. All models require a 16" minimum clearance to adjacent open top burner units.
5. This appliance is manufactured for commercial installation only and is not intended for home use.

SERVICE CONNECTIONS:

- (P1) 1¼" NPT common rear gas connection.
- (E1) 120 volt, 60 Hz, 1 phase electrical connection (filter pump).



BATTERY DIMENSIONS			
MODEL NO.	2 FRYERS	3 FRYERS	4 FRYERS
	Width	Width	Width
HG45	31"	46½"	62"
HG65	42"	63"	-
HG85	42"	63"	-

FILTER SECTION SPECIFICATIONS					
FILTER PAN CAPACITY	FILTER AREA	MOTOR	PUMP	ELECTRIC AMPS	ELECTRIC POWER
HG45 & HG65 80 lbs.	330 sq. in.	1/3 H.P. 1750RPM	5.6 gal.	115V/5.0	120V 60Hz 1 phase
HG85 130 lbs.	532 sq. in.				

As continued product improvement is a policy of Hobart, specifications are subject to change without notice.