

HOBART701 S Ridge Avenue, Troy, OH 45374
1-888-4HOBART • www.hobartcorp.com**CG SERIES HEAVY DUTY
ELECTRIC GRIDDLES****HOBART****STANDARD FEATURES**

- Stainless steel front, sides and 4" adjustable legs.
- ½" thick polished steel griddle plate.
- 11" cooking height on 4" adjustable legs.
- Two solid sheathed tubular incoloy heating elements, one snap action thermostat and cycling light per each 12" griddle width. Thermostats adjust from 200° to 450° F.
- Heavy duty chromed thermostat knob guards
- Stainless steel 4" back and tapered side splashes.
- 3½" wide front grease trough empties into a large capacity grease drawer. 60" and 72" models have two grease drawers.
- Available in 208V or 240V, 50/60 Hz, 1 or 3 phase power supply. 480V, 50/60 Hz 3 phase power supply.
- One year limited parts and labor warranty.

MODELS

- CG24** – 24" wide x 24" deep griddle plate
- CG58** – 36" wide x 24" deep griddle plate
- CG41** – 48" wide x 24" deep griddle plate
- CG50** – 60" wide x 24" deep griddle plate
- CG59** – 72" wide x 24" deep griddle plate

OPTIONS

- Stainless steel stand with marine edges and casters
- Cutting board, condiment rail, plate rail and banking strip accessories

Specifications, Details and Dimensions on Inside and Back.

**CG58****CG SERIES HEAVY DUTY ELECTRIC GRIDDLES**

CG SERIES HEAVY DUTY ELECTRIC GRIDDLES



701 S Ridge Avenue, Troy, OH 45374
1-888-4HOBART • www.hobartcorp.com

SPECIFICATIONS

Heavy duty electric griddle. Stainless steel front and sides. 11" cooking height on 4" adjustable legs. 1/2" thick polished steel griddle plate. Tubular incoloy elements and one snap action thermostat for every 12" of griddle width. Thermostats

adjust from 200° to 450° F. Stainless steel 4" back and tapered side splashes. 3 1/2" wide front grease trough empties into large capacity grease drawer. Available in 208V, 240V 50/60 Hz, 1 or 3 phase. 480V 50/60 Hz 3 phase.

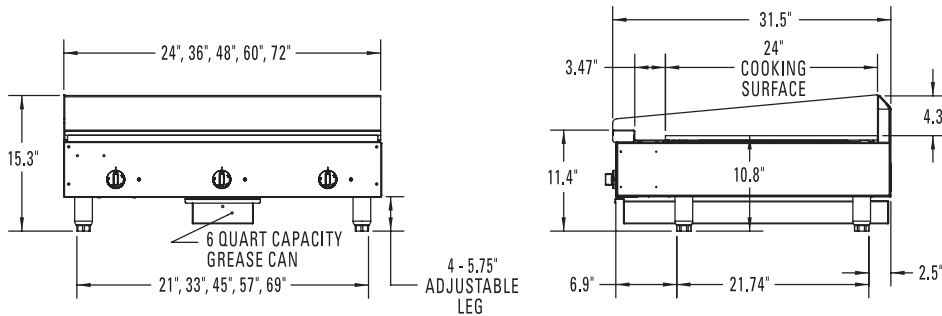
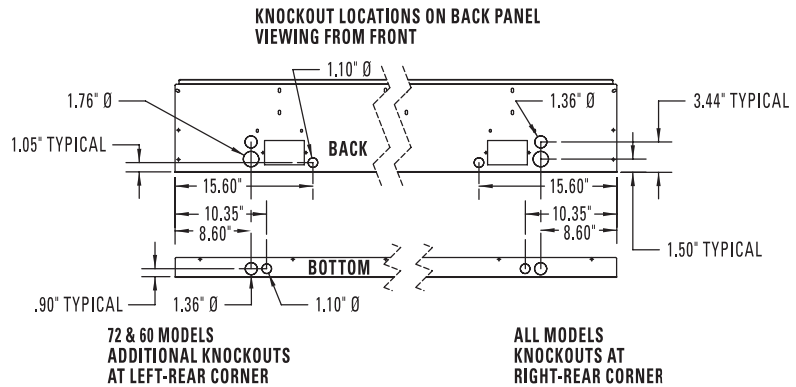
ELECTRICAL CHARACTERISTICS

STANDARD VOLTAGES – 208 VOLTS OR 240 VOLTS 50/60 Hz. – SINGLE OR THREE PHASE 480 VOLTS 50/60 Hz. – THREE PHASE ONLY																
MODEL NO.	TOTAL CONN. KW	TOTAL KW PER CONN	3 PHASE LOADING KW PER PHASE PER CONN.*			NOMINAL AMPS PER LINE WIRE CONN.*										
						3 PHASE									1 PHASE	
			X-Y	Y-Z	X-Z	208 VOLT			240 VOLT			480 VOLT			208	240
			X	Y	Z	X	Y	Z	X	Y	Z	X	Y	Z	VOLT	VOLT
CG24	10.8	10.8	5.4	5.4	0.0	22.5	45.0	22.5	19.5	39.0	19.5	9.7	19.5	9.7	51.9	45.0
CG58	16.2	16.2	5.4	5.4	5.4	45.0	45.0	45.0	39.0	39.0	39.0	19.5	19.5	19.5	77.9	67.5
CG41	21.6	21.6	10.8	5.4	5.4	67.4	67.4	45.0	58.5	58.5	39.0	29.2	29.2	19.5	103.8	90.0
CG50*	27.0	16.2	5.4	5.4	5.4	45.0	45.0	45.0	39.0	39.0	39.0	19.5	19.5	19.5	77.9	67.5
		10.8	5.4	0.0	5.4	45.0	22.5	22.5	39.0	19.5	19.5	19.5	9.7	9.7	51.9	45.0
CG59*	32.4	16.2	5.4	5.4	5.4	45.0	45.0	45.0	39.0	39.0	39.0	19.5	19.5	19.5	77.9	67.5
		16.2	5.4	5.4	5.4	45.0	45.0	45.0	39.0	39.0	39.0	19.5	19.5	19.5	77.9	67.5

*Model CG50 and CG59 require two separate electrical connections and services.

INSTALLATION CLEARANCES:

Sides and rear must be 1" from nearest combustible construction and 0" from non-combustible construction. Bottom must be 4" from combustible or non-combustible construction. This appliance is manufactured for commercial installation only and is not intended for home use.



MODEL NO.	OVERALL DIMENSIONS			COOKING SURFACE DEPTH	GREASE DRAWER CAPACITY (Gals.)	APPROX. SHIP WT.
	WIDTH	DEPTH	HEIGHT*			
CG24	24" (610)	31.5" (800)	15.3" (389)	24" (610)	1.5	230 lbs / 104 kg
CG58	36" (914)				1.5	310 lbs / 141 kg
CG41	48" (1219)				1.5	400 lbs / 181 kg
CG50	60" (1524)				2 x 1.5	535 lbs / 243 kg
CG59	72" (1821)				2 x 1.5	610 lbs / 277 kg

(Dimensions in parenthesis are in millimeters)

As continued product improvement is a policy of Hobart, specifications are subject to change without notice.