

HOBART701 S Ridge Avenue, Troy, OH 45374
1-888-4HOBART • www.hobartcorp.com**CL_eR ELECTRIC
BLOWER-DRYER ACCESSORY****HOBART****STANDARD FEATURES**

- Stainless steel 46³/₁₆" long chamber
- Positive forced circulation of high velocity heated air
- Fits CL_eR models
- High velocity industrial type blower-dryer is quiet, giving truly high performance at a low sound level
- 2 H.P. blower
- 10 KW electric heat

MODEL

- CL_eR Electric Blower-Dryer

Specifications, Details and Dimensions on Inside and Back.

For use with
CL_eR Series Dishwashers**DIRECTION OF OPERATION**

- Right to Left
- Left to Right

VOLTAGE

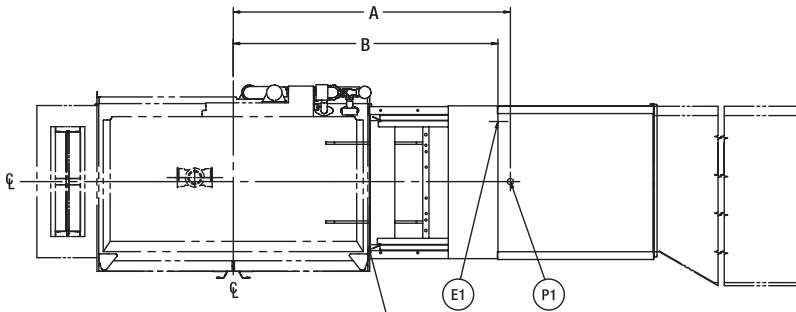
- | | |
|-----------------------------------|---------------------------------------|
| <input type="checkbox"/> 208/60/3 | <input type="checkbox"/> 380/60/3 |
| <input type="checkbox"/> 240/60/3 | <input type="checkbox"/> 200/50/3 |
| <input type="checkbox"/> 480/60/3 | <input type="checkbox"/> 380-415/50/3 |
| <input type="checkbox"/> 600/60/3 | |

**CL_eR ELECTRIC BLOWER-DRYER ACCESSORY**

CLeR ELECTRIC BLOWER-DRYER ACCESSORY L-R



701 S Ridge Avenue, Troy, OH 45374
1-888-4HOBART • www.hobartcorp.com



SHOWN WITHOUT
ENERGY RECOVERY UNIT

DRYER CHAMBER TO BE BOLTED TO WASH CHAMBER
WITH 1/4"-20 X 5/8" HEX HEAD STAINLESS STEEL
SCREWS THRU (19) 11/32" DIA. MATCHING HOLES.
USE FOAM TAPE (1" WIDE X .060 THICK) AS A

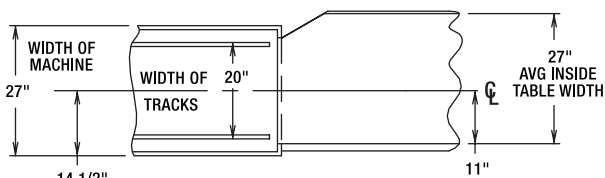
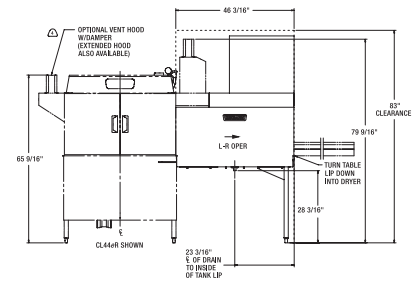
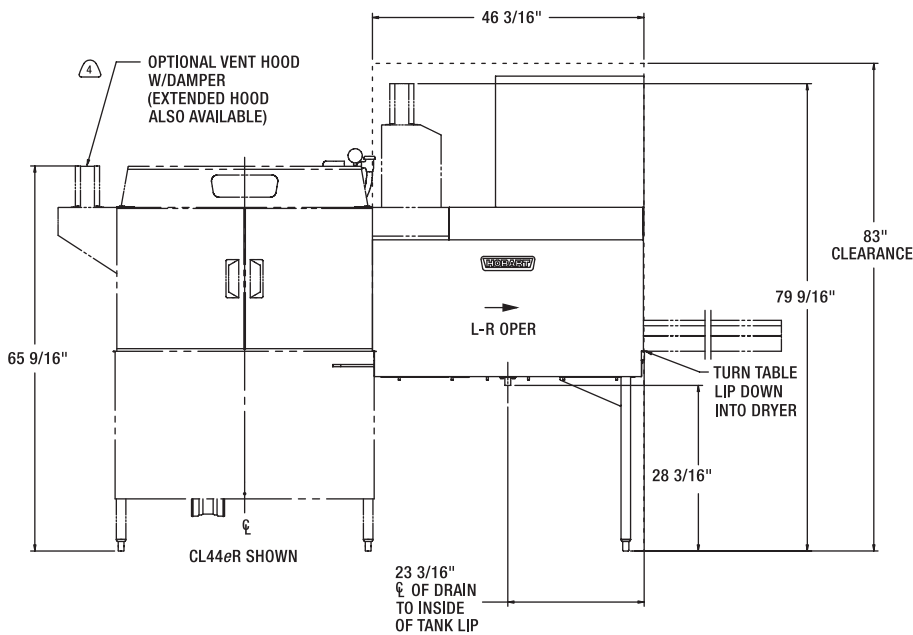
ELECTRICAL AND PLUMBING CONNECTIONS

CONNECTION INFORMATION
(AFF = ABOVE FINISHED FLOOR)

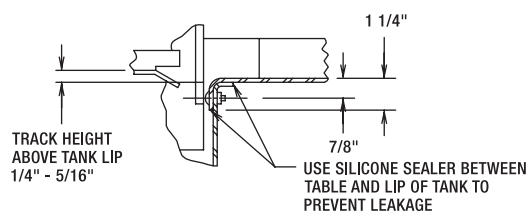
LEGEND

ELECTRIC, STEAM, AND GAS HEATS

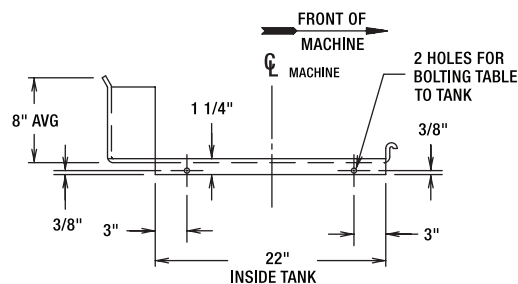
- E1 ELECTRIC CONNECTION: KNOCKOUT MADE BY CUSTOMER,
1-1/8" CONDUIT HOLE, 61" AFF
- P1 DRAIN CONNECTION IN DRYER TANK: 1" FPT.



SUGGESTED TRACK AND TABLE LAYOUT



UNLOAD END



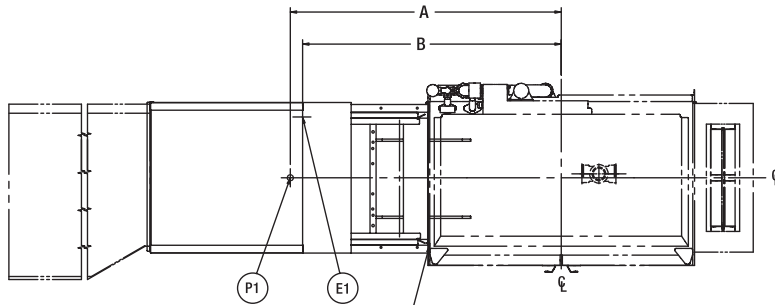
VIEW SHOWING HOLE LOCATIONS IN
TURNED DOWN PORTION OF TABLE

MODEL: CLeR
BLOWER-DRYER
ELECTRIC HEAT
L-R OPERATION
E-941661
REV B



701 S Ridge Avenue, Troy, OH 45374
1-888-4HOBART • www.hobartcorp.com

CL_eR ELECTRIC BLOWER-DRYER ACCESSORY R-L

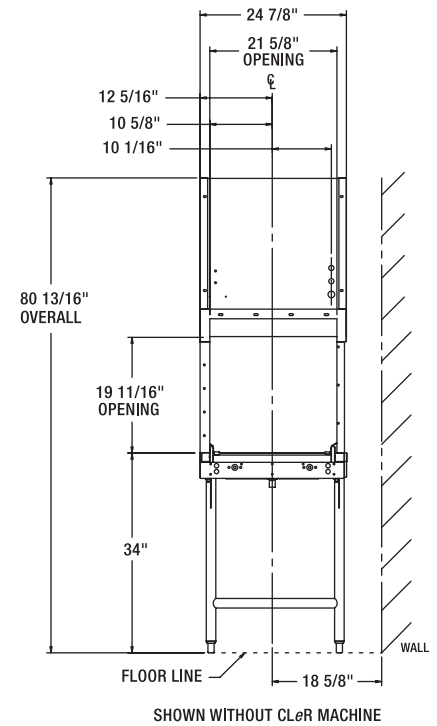
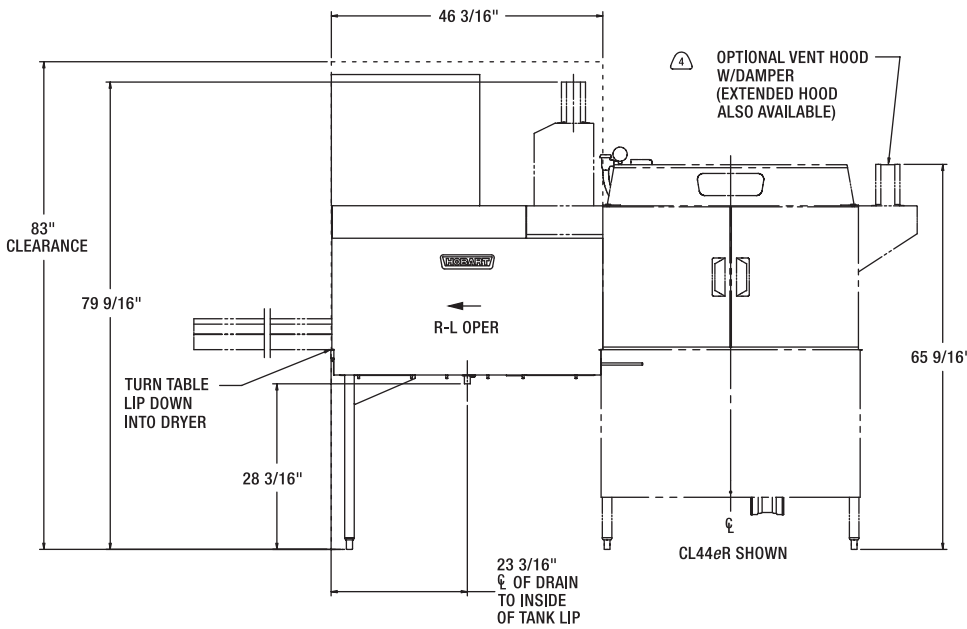


SHOWN WITHOUT ENERGY RECOVERY UNIT

DRYER CHAMBER TO BE BOLTED TO WASH CHAMBER WITH 1/4"-20 X 5/8" HEX HEAD STAINLESS STEEL SCREWS THRU (19) 11/32" DIA. MATCHING HOLES. USE FOAM TAPE (1" WIDE X .060 THICK) AS A GASKET TO SEAL THIS JOINT

SINGLE POINT ELECTRICAL CONNECTION
BLOWER MOTOR & ELECTRIC HEAT
(3 PH ONLY)

ELECTRICAL SPECS	RATED AMPS	MINIMUM SUPPLY CIRCUIT CONDUCTOR AMPACITY	MAXIMUM PROTECTIVE DEVICE
208/60/3	34.2	45	45
240/60/3	30.7	40	40
380/60/3	17.8	25	25
480/60/3	15.7	20	20
600/60/3	12.6	20	20
200/50/3	33.0	45	45
380-415/50/3	17.8	25	25



WARNING

ELECTRICAL AND GROUNDING CONNECTIONS MUST COMPLY WITH THE APPLICABLE PORTIONS OF THE NATIONAL ELECTRICAL CODE AND/OR OTHER LOCAL ELECTRICAL CODES.

ATTN: PLUMBING CONNECTIONS MUST COMPLY WITH APPLICABLE SANITARY, SAFETY, AND PLUMBING CODES.

MODEL	DIMENSION A	DIMENSION B
CL44eR	44-7/8"	42-3/4"
CLPS66eR	44-7/8"	42-3/4"
CLCS66eR	44-7/8"	42-3/4"
CL54eR	54-5/8"	52-1/2"
CLPS76eR	54-5/8"	52-1/2"
CLCS76eR	54-5/8"	52-1/2"
CL64eR	54-7/8"	52-3/4"
CLPS86eR	54-7/8"	52-3/4"
CLCS86eR	54-7/8"	52-3/4"

NOTES:

- ALL DIMENSIONS TAKEN FROM FLOOR LINE MAY BE INCREASED APPROX. 3/4" OR DECREASED 1/2".
- FOR DIMENSIONS OF DISHWASHING MACHINE NOT SHOWN, SEE INSTALLATION DWG OF MACHINE USED.
- BLOWER MOTOR CONTROLLER IS CONTROLLED FROM DISHWASHER MOTOR CONTROL BOX AND OPERATES WITH DISHWASHER PUMP MOTORS.
- REFERENCE: VENT CONNECTION MUST FIT INSIDE 4" X 16" STACK, 400 C.F.M. EXHAUST; REFER TO VENTS AND HOODS SPECIFICATION SHEETS (F-7841) FOR MACHINE EXHAUST REQUIREMENTS.

MODEL: CL_eR
BLOWER-DRYER
ELECTRIC HEAT
R-L OPERATION
E-941660
REV B

CL_eR ELECTRIC BLOWER-DRYER ACCESSORY

HOBART

701 S Ridge Avenue, Troy, OH 45374
1-888-4HOBART • www.hobartcorp.com

DESIGN: To promote rapid drying of tableware and trays by forced circulation of high velocity heated air through the blower dryer.

Heavy-duty direct drive industrial fan blows room air through electric heater and large area ducting. Heated air directed vertically downward to drying area through rectangular orifice covering full width of chamber. Baffles below conveyor redirect air upward within drying area and minimize heating of discharge table or hot air contact with clean-dish operator at end of machine.

Any object which will pass through the machine will be handled at the dryer area without necessity of readjusting blower plenum upward or downward.

CONSTRUCTION: Chamber construction is stainless steel, welded and bolted.

Stainless steel wrap-around encloses entire external component assembly consisting of electric heater, motor and blower. Blower dryer is approximately 17³/₈" above height of machine.

Tank portion is constructed of stainless steel with legs and lower cross-members of 1⁵/₈" stainless steel tubing and stainless steel adjustable feet.

Conveyor is Hobart "Dual Drive" with stainless steel pawls, designed to connect to CL_eR warewasher.

ELECTRIC HEAT: 3 - 3.3 KW Incoloy[®] electric heaters are used for a total of 10 KW heating capacity. Thermostatic control and separate over temperature protection are standard. Electrical specifications are 208/60/3, 240/60/3, 480/60/3, 600/60/3, 380/60/3, 200/50/3, 380-415/50/3.

BLOWER: Industrial fan-type with direct drive wheel. Housing of welded construction.

2 H.P. Blower direct drive motor.

MOTOR: Splashproof enclosure, ventilated design. Furnished only in three-phase electrical specifications of the basic CL_eR Model in 208-240/60 and 480/60. The controller circuit operates on 115 volts supplied by the transformer on the dishwasher.

MOTOR CONTROL: Ambient temperature compensated automatic resetting solid state overload protection, pre-wired. Operation controlled by dishwasher motor switch, i.e. blower functions only during machine operation.

As continued product improvement is a policy of Hobart, specifications are subject to change without notice.