

HOBART701 S Ridge Avenue, Troy, OH 45374
1-888-4HOBART • www.hobartcorp.com**QUANTUM®
SELF SERVICE SCALE****HOBART****STANDARD FEATURES**

- The Consumer weighs, labels and prices their product in the department at the scale
- Easy to read bright yellow numeric keypad
- Telephone keypad format
- Bright green print and start over keys
- Loss prevention through Security Access Codes
- Food-grade seamless flat keyboard panel is key to food safety
- Smooth keyboard stands up to cleaning and sanitizing. ATM style prompts guide consumer step by step through weighing transaction
- Two in one auto code number look up 4 and/or 5 digit code numbers
- Dual price Frequent Shopper labeling
- Zero key
- 30 lb. Capacity
- Scale self diagnostics
- Stainless Steel Platter and Rail

OPTIONS AT EXTRA COST

- Vacuum fluorescent marquee display
- Elevated post assembly 14"
- Wide cassette - spare
- Narrow cassette - spare
- Produce Consumer training video
- Scale stand
- Plexiglass code number locator (11 x 17)
- WeighStation™ Consumer Training Pamphlet
- WeighStation™ location poster (14 x 20)
- WeighStation™ "Here Now" banner (24 x 72)
- Buyer's Assurance - Second year extended warranty

LISTED BY:NTEPCoC
95-122A2CalifCoC
4246(a)-97**ISO 9002**
Certified**FDA**
Mandatory
Labeling
CompliantCanada
AM-5142EC
UK2447
FCC Class A
Part 15 Compliant**MODELS**

- QUANTM1-1SS (Wide Cassette)
- QUANTM1-1SSN (Narrow Cassette)

ACCESSORIES

- ScaleMaster® File Maintenance Communications Software
- Data Gateweigh™
- TCP/IP Communications Board
- Retail Scale Merchandising Companion
- Graphics Library
- ½ MB RAM memory
- 1 MB RAM memory
- 2 MB RAM memory
- Fish pan with drain
- Print Head Cleaning Kit
- External DOS Disk Drive - Back Up
- External IBM XT-keyboard
- RS485 Communication kit for intranet single point client server configuration

TYPICAL LOCATIONS

Bagel Kiosk	Salad Bar
Bulk Candy	Bakery - By Each
Bulk Cookies	Bulk Coffee
Bulk Hardware	Bulk Foods
Donut Kiosk	Bulk Pet Foods Produce

Specifications, Details and Dimensions on Inside and Back.

**QUANTUM® SELF SERVICE SCALE**

QUANTUM® SELF SERVICE SCALE

HOBART701 S Ridge Avenue, Troy, OH 45374
1-888-4HOBART • www.hobartcorp.com

SELLING FEATURES

CONSUMER CONVENIENT WEIGHING:

IT'S AS EASY AS 1...2...3... to operate the scale:

- Enter the code number, weigh, label and price goods at the scale.

WHAT IF CONSUMER MAKES A MISTAKE ENTERING A CODE NUMBER?

- Simply press START OVER key to begin again.

ATM STYLE GRAPHICAL USER INTERFACE:

- Screen prompts guide consumer step by step through weighing and labeling process.

BRIGHT GREEN PRINT KEY:

- Easy to read bright green key pad is pressed to print a label.

SINGLE POINT TCP/IP COMMUNICATION CONNECTION:

- Quantum networks across department and store.

MEMORY CAPACITY:

- Standard ½ MB RAM memory holds complete Produce Marketing Association PEIB/Produce Electronic Information Board standard and organic produce codes.

SECURITY/LOSS PREVENTION:

- Self Service mode was designed to prevent consumers from tampering with scale.
- Department personnel can override this mode with security access code.

FREQUENT SHOPPER PROGRAM SUPPORT:

- Multiple Price Labeling
- Random Weight items sold per pound
- Random By Count/Piece sold by each

FREQUENT SHOPPER POS SUPPORT:

- IBM®
- NCR®
- ICL®
- S.A.S.I.®
- R.I.I.®
- CASIO®

CONSUMER SAVES TIME IN THE CHECKOUT LINE:

- Probably the first concern of Store Operations is throughput, how quickly can you checkout the consumer. The Quantum Self Service Weigh Station™ was designed for consumer convenience, speed and ease of use with minimal store employee involvement.

DISPLAY CONSOLE:

- Data is displayed on screen for consumer.
- Display area 3⁵/₈" x 4³/₄"

NOTICE: Fluorescent lamp in display panel contains a small amount of mercury. Please dispose of according to local, state or federal laws.

LABEL CASSETTE:

- Minimum downtime to change labels. Out of labels error message automatically sent to display panel. "Contact store personnel for help"

LABEL STOCK. WHAT SIZES ARE AVAILABLE?

- 2.25" wide label stock lengths from 1.75" to 10.0"
- 2.25" wide oval edge label stock lengths from 1.75" to 10.0"
- 1.5" narrow label stock lengths from 1.0" to 10.0"
- 1.5" narrow oval edge label stock lengths from 1.0" to 10.0"

LABEL STOCK. WHAT COLORS ARE AVAILABLE?

- Color match to Pantone® color formula guide.

SEVEN POSITION PIVOTING DISPLAY:

- Ensures best viewing angle and avoids glare.

OPERATOR MANUAL:

- Simplify operator training.

POWERFUL CROSS MERCHANDISER:

- **Licensed 5 A DAY partner**
- **Preprinted 5 A DAY FOR BETTER HEALTH GRAPHICS**
 - The Original Fast Food
 - Taste The Flavor
 - Simply Delicious
 - Naturally Irresistible
 - Take the 5 A DAY challenge
 - Go Ahead Have Another



701 S Ridge Avenue, Troy, OH 45374
1-888-4HOBART • www.hobartcorp.com

QUANTUM® SELF SERVICE SCALE

SPECIFICATIONS

FIRMWARE:

- Quantum® Scale is “Year 2000” compliant.

CONSTRUCTION:

- Food-Safe polymer exterior. The Quantum® stands up to cleaning and sanitizing. Contoured seamless design sheds juices and food particles. Water resistant. Platter is stainless steel, stamped construction, with 1" radius bends.

LABEL CASSETTE:

- Front loading. Interchangeable wide or narrow cassette load.

LABEL STOCK ROLL CAPACITY:

- Roll 6" outside diameter. Core 3" inside diameter. Label stock widths are 1½" and 2¼". Print 1" to 10" in length.

MEMBRANE KEY PAD:

- Bright Pantone® yellow numeric telephone style buttons.

BUILT-IN THERMAL PRINTER:

- Prints and issues thermal label stock
- Dot density (6 dots/mm)
- Maximum print speed 2.333 inches per second

FREQUENT SHOPPER LABEL SUPPORT:

- For items sold per pound, the scale label prints the net weight, unit price per pound, regular total price, discounted unit price per pound, discounted total price and/or total savings per package.
- For items sold by each, the scale label prints the quantity/pieces, unit price, regular total price, discounted unit price, discounted total price and/or total savings per package.
- For items sold by each, the scale label prints the graphic “Buy X Get X Free”.

GRAPHIC USER INTERFACE DISPLAY:

- For items sold per pound, the scale display window displays the product weight, scale graphic, code number, product description, tare, unit price per pound, net weight and total price.
- For items sold by each, the scale display window displays the scale graphic, code number, by count/pieces, unit price, exception price and total price.

SELF TESTING TROUBLESHOOTING TIPS:

- On screen error prompts include:
 1. Code number cannot be used in self service mode.
 2. Code number cannot be found.
 3. Out of labels or labels jammed, contact store personnel for help.
 4. Label cassette open. Contact store personnel for help.
 5. This self service scale is out of order. Contact store personnel for help.
 6. The minimum weight to print a label is .02 lb.

COMMUNICATIONS:

- RS485 Communications
 - RJ11 Connector
- TCP/IP Communications compatibility
 - Ethernet 10 Base T (RJ45 Connector)
 - Wiring – Category 3 or 5
- ScaleMaster®
 - Scale Networking System supports both RS485 Communications and TCP/IP Communications
 - This important advance makes Hobart scale networking products compatible with widely accepted standards of communications protocol and hardware, offering dramatic improvements in speed and accuracy of data transmission, as well as greater flexibility in configuration.
- Resident System Numbers
 - 0,2,4,6,7
- Resident Bar Codes
 - UPC-A (12 digit) numeric data only
 - EAN13 (13 digit) numeric data only

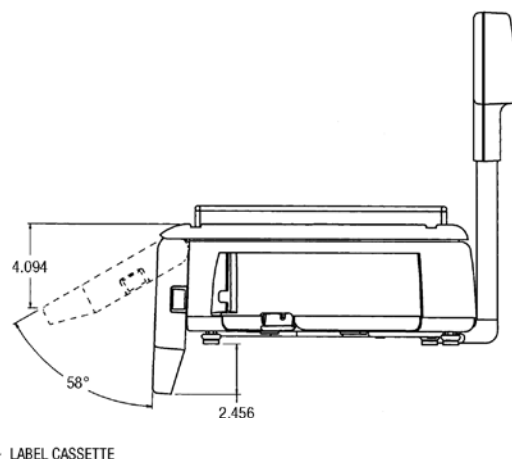
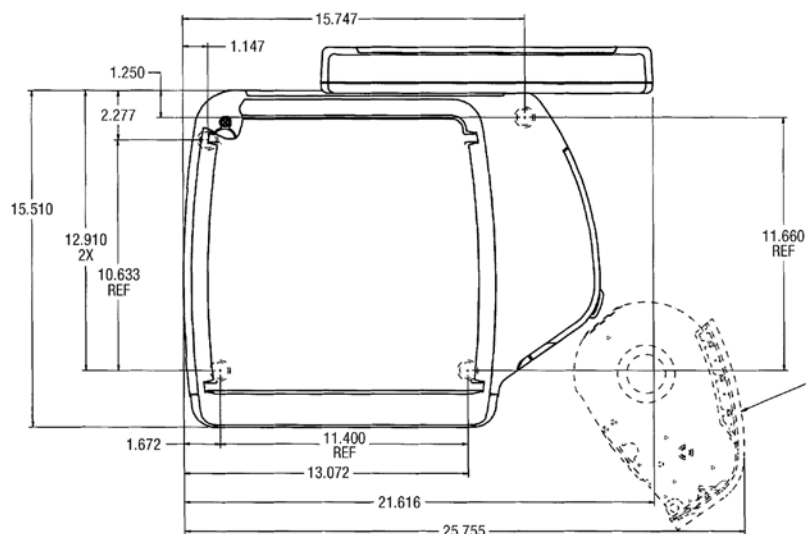
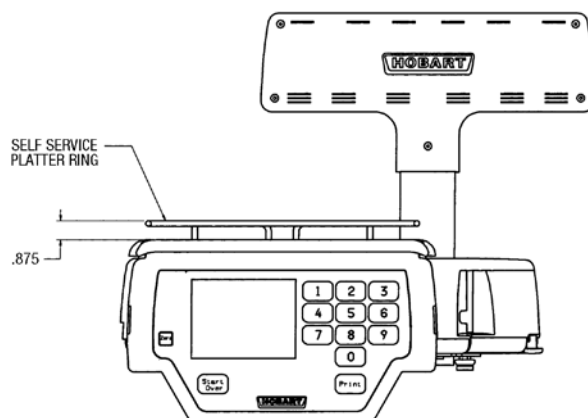
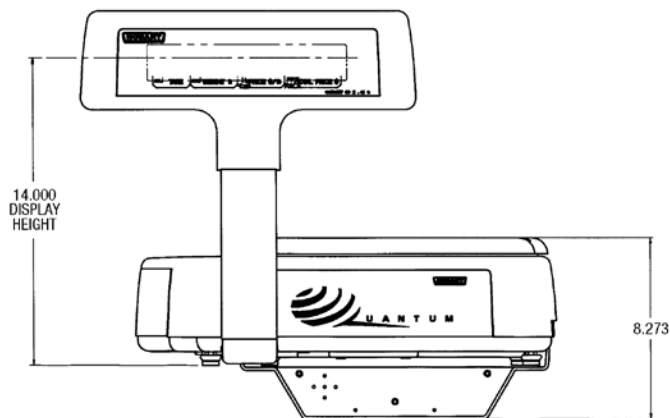
QUANTUM® SELF SERVICE SCALE



701 S Ridge Avenue, Troy, OH 45374
1-888-4HOBART • www.hobartcorp.com

DETAILS AND DIMENSIONS

Capacity:	30 lb. x 0.01 lb.	Battery Backup:	24 Hours
Platter (WxDxH):	14" x 15½" x ½"	Voltage:	120/60/1
Scale Dimension (WxDxH):	19" x 15½" x 5½"	Maximum Watts:	180
Ambient Temperature Range:	14°F to 104°F -10°C to 40°C	Maximum Amps:	1.5
Humidity:	10% to 95% non-condensing	Scale Weight:	≈ 33.5 lbs.
		Shipping Weight:	≈ 39.5 lbs.



As continued product improvement is a policy of Hobart, specifications are subject to change without notice.