



701 S Ridge Avenue, Troy, OH 45374
1-888-4HOBART • www.hobartcorp.com

SIDE LOADING OPTION FOR CL_e DISHWASHERS



STANDARD FEATURES

- Automatically indexes rack at a 90° angle
- Operates off the drive of the CL_e and requires no additional energy consumption
- Easy to install
- Stainless steel construction
- Low maintenance
- Easy to use
- Saves valuable floor space

MODELS

- SL23 – Adds 23" to length of machine
- SL30 – Adds 30" to length of machine

Specifications, Details and Dimensions on Inside and Back.



SIDE LOADING OPTION FOR CL_e DISHWASHERS



SIDE LOADING OPTION FOR CL_e DISHWASHERS



701 S Ridge Avenue, Troy, OH 45374
1-888-4HOBART • www.hobartcorp.com

SPECIFICATIONS

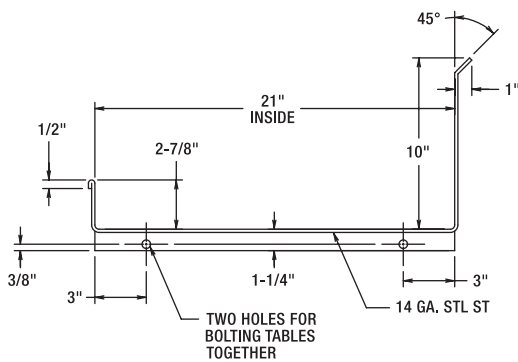
DESIGN: A factory installed option to adapt any Hobart CL_e Dishwasher to a corner or side loading operation. Model SL-23 adds 23" to length of machine; SL-30 - 30". Specify model.

CONSTRUCTION: Sump, back and end shields of formed 14-gauge stainless steel, heliarc-welded, with coved corners and all joints ground smooth and polished. Attached to dishmachine chamber with stainless steel bolts and reinforced with rigid stainless steel diagonal supports. Sump has 1½" drain connection and perforated stainless steel strainer cover over drain opening.

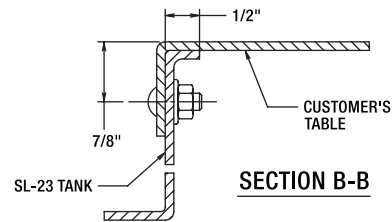
CONVEYOR: Two stainless steel rack slides welded to cross member support. Drive member is single stainless steel pawl, connected to dishmachine conveyor by a stainless steel rod. Rack drive pawl operates on two rollers, supported by two stainless steel rods and is beveled to permit rack to slide easily into side-loading extension.

SHIPPING WEIGHT: Ships separately weighing approximately 100 lbs. Field mount standard.

NOTE: Racks must have center and side index strips.

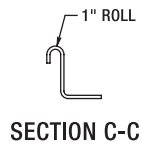


SECTION A-A
VIEW LOOKING TOWARD SL-23 TANK
THROUGH CUSTOMER'S TABLE

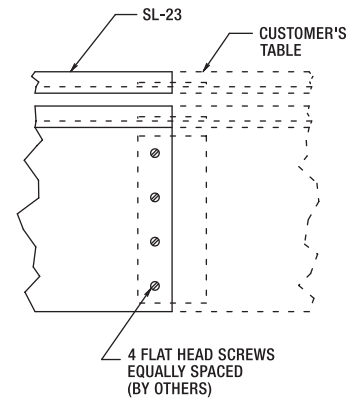


SECTION B-B

MODEL	DIMENSION A
CL44 _e	35-1/4"
CLPS66 _e	57-1/4"
CL54 _e	35-1/4"
CLPS76 _e	57-1/4"
CL64 _e	45-3/16"
CLPS86 _e	67-3/16"



SECTION C-C



SECTION D-D

WARNING

ELECTRICAL AND GROUNDING CONNECTIONS MUST COMPLY WITH THE APPLICABLE PORTIONS OF THE NATIONAL ELECTRICAL CODE AND/OR OTHER LOCAL ELECTRICAL CODES.

PLUMBING

CONNECTIONS MUST COMPLY WITH APPLICABLE SANITARY, SAFETY, AND PLUMBING CODES.

NOTES

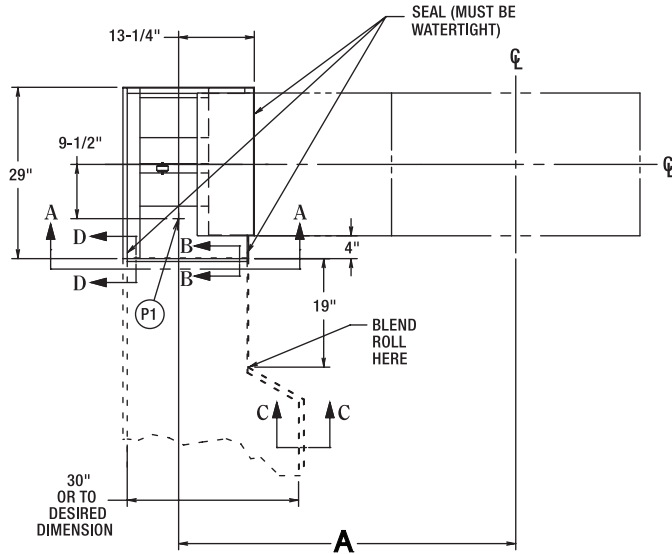
1. ALL DIMENSIONS TAKEN FROM FLOOR LINE MAY BE INCREASED APPROX. 3/4" OR DECREASED 1/2". FOR DIMENSIONS NOT SHOWN, SEE SPEC SHEET FOR MODEL SPECIFIED.
2. REFER TO VENT & EXTENDED HOOD INSTALLATION DRAWING (F-7841) FOR MACHINE EXHAUST REQUIREMENTS.



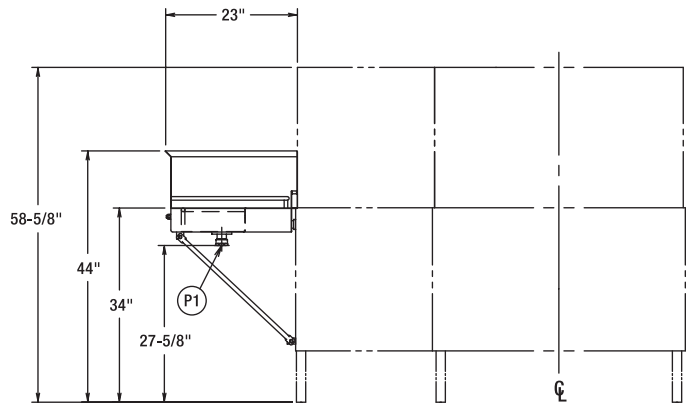
701 S Ridge Avenue, Troy, OH 45374
1-888-4HOBART • www.hobartcorp.com

SIDE LOADING OPTION FOR CL_e DISHWASHERS

SL23 SIDE LOADER LEFT TO RIGHT OPERATION



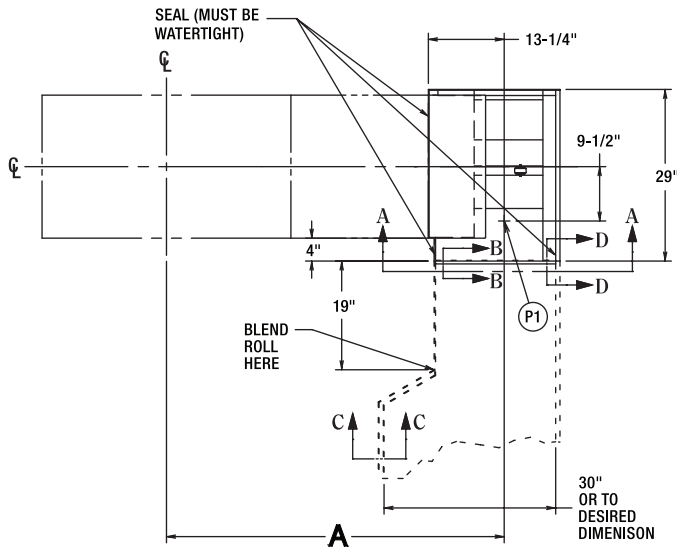
CL_e
23" SIDE LOADER
L-R OPERATION
D-936611
REV. B



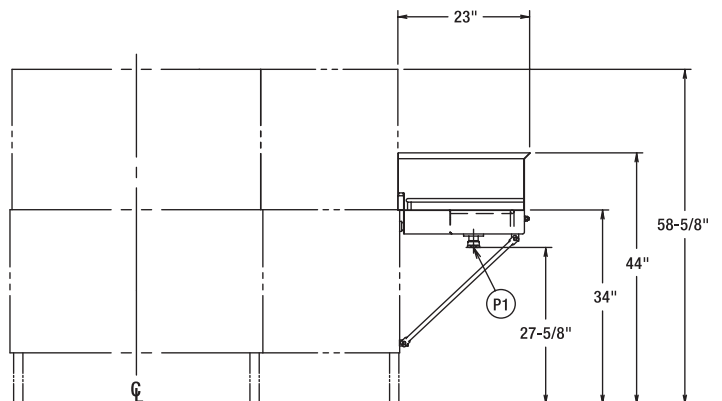
LEGEND:

P1 DRAIN CONNECTION: 1-1/2" FEMALE
PIPE THREAD.

SL23 SIDE LOADER RIGHT TO LEFT OPERATION



CL_e
23" SIDE LOADER
R-L OPERATION
D-936610
REV. B



LEGEND:

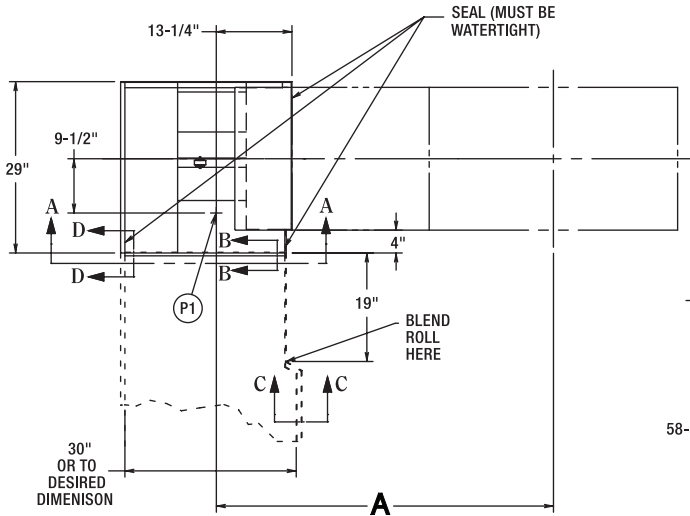
P1 DRAIN CONNECTION: 1-1/2" FEMALE
PIPE THREAD.

SIDE LOADING OPTION FOR CL_e DISHWASHERS

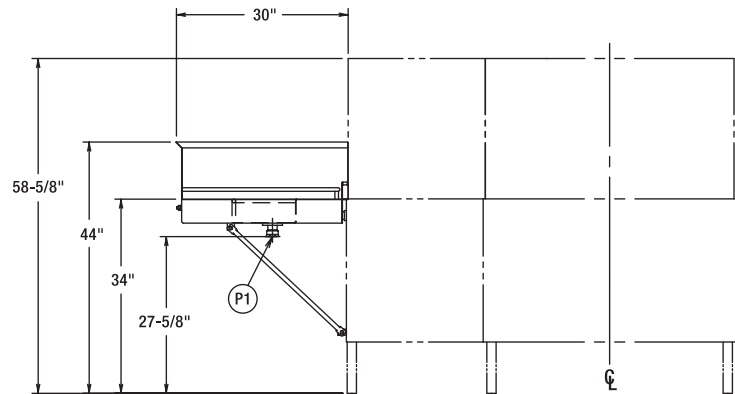


701 S Ridge Avenue, Troy, OH 45374
1-888-4HOBART • www.hobartcorp.com

SL30 SIDE LOADER LEFT TO RIGHT OPERATION



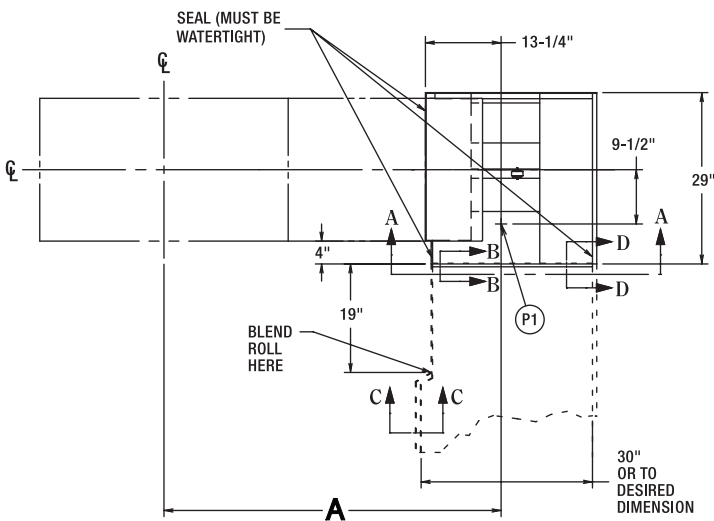
CL_e
30" SIDE LOADER
L-R OPERATION
D-936613
REV. B



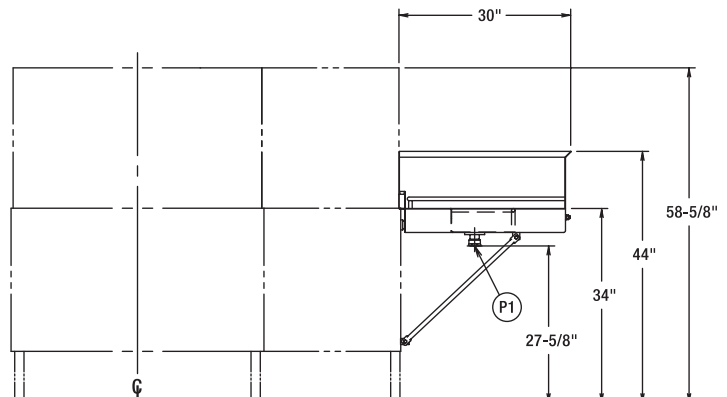
LEGEND:

P1 DRAIN CONNECTION: 1-1/2" FEMALE PIPE THREAD.

SL30 SIDE LOADER RIGHT TO LEFT OPERATION



CL_e
30" SIDE LOADER
R-L OPERATION
D-936612
REV. C



LEGEND:

P1 DRAIN CONNECTION: 1-1/2" FEMALE PIPE THREAD.

As continued product improvement is a policy of Hobart, specifications are subject to change without notice.