



# CPT93

## Commercial Series Pizza Prep Table



CPT93  
6/14  
Item #13336



Hoshizaki America, Inc. reserves the right to change specifications without notice.

Item #

Project:

Qty:

\*AutoCad available on KCL

### CPT93 Dimensions W x D x H

3 Section - 93" x 32.24" x 43.45"\*

\*with 6" casters

### Electrical/Refrigeration

**Voltage** 115/60/1

**HACR Breaker**  
3 Section - 15.0 Amps

**Electrical Connection (NEMA)**  
3 Section - 5-15P

**Voltage Range** 104-126

**Ambient Temp. Range** 45° to 86°F

**Control Setpoint Range** 28° to 45°F

\*Refrigerant R-134a

### Warranty

Valid in United States, Canada, Puerto Rico, and U.S. Territories. Contact factory for warranty in other countries.

- **Three Year** - Parts & Labor on entire machine.
- **Five Year** - Parts on: Compressor.

### Options

- 6" Legs
- Additional epoxy shelves
- Divider bars



- Stainless steel exterior front, sides and top
- Anodized Aluminum interior sides and back with stainless steel interior floor
- Stainless steel exterior door with ABS interior liner
- Solid state digital controller with temperature alarms and LED display (Fahrenheit or Celsius)
- Rail utilizes a unique ducted air distribution system to distribute air evenly and maintain product temperature
- Exclusive "stepped" door design to protect door gasket
- Spring assisted self-closing doors with stay open feature
- Extruded aluminum flush mount door handle
- Field reversible doors
- Front breathing air flow design
- Provided with a full complement of polycarbonate plastic 1/3rd size pans, 4" deep, and adapter bars
- 93" x 19" x 1/2" thick white polyethylene cutting board is standard
- Enamel coated evaporator coil
- Six epoxy coated adjustable shelves are standard
- Anodized aluminum shelf supports adjustable in 1/2" increments
- Standard with 6" casters (two with brakes)
- Three year parts and labor warranty
- Five year compressor warranty
- 8 ft. cord and plug

### Dimensions / Capacity

Model #	Three Section CPT93
Interior Storage Capacity (CF)(AHAM)	30.1 ft <sup>3</sup>
Overall Width x Depth	93" x 32.24"
Height (including 6" casters)	43.45"
Depth with Cutting Board Installed	36.17"
Door Opening Width x Height	22.59" x 22.92"
Depth with Door open at 90° (Including 1" Bumper)	57.71"
Adjustable Shelves	6
Shelf Dimensions (W x D)	24.8" x 25.61"
Pan Capacity (# of 1/3rd size x 4" deep)	12
Maximum Pan Depth	6"
Crated Shipping Weight	628 lbs
Crated Height x Width x Depth	44.25" x 94.75" x 33.75"

### Electrical / Refrigeration Data

Model #	Three Section CPT93
Amperage	5.5
Energy Consumption (kwh/day) NSF	5.5
Heat Rejection (BTU/Hr.) @NSF	775.3
Approx. Nominal Compres. BTU/HR(HP)	2607 (1/3HP)



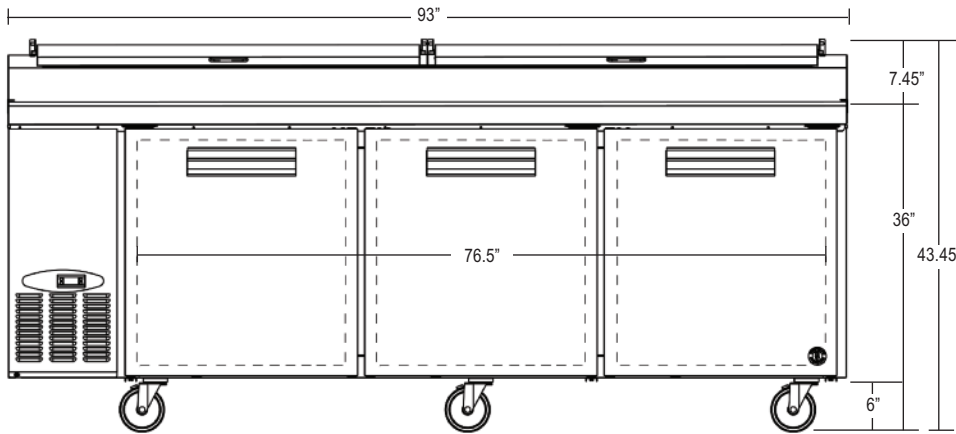
© HOSHIZAKI AMERICA, INC.

618 Hwy. 74 S., Peachtree City, GA 30269  
TEL 800-438-6087  
FAX 800-345-1325  
www.hoshizaki.com

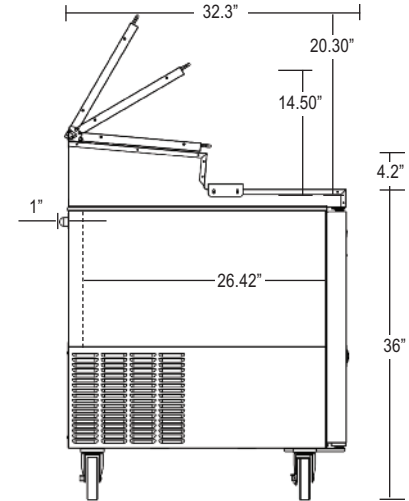


# CPT93

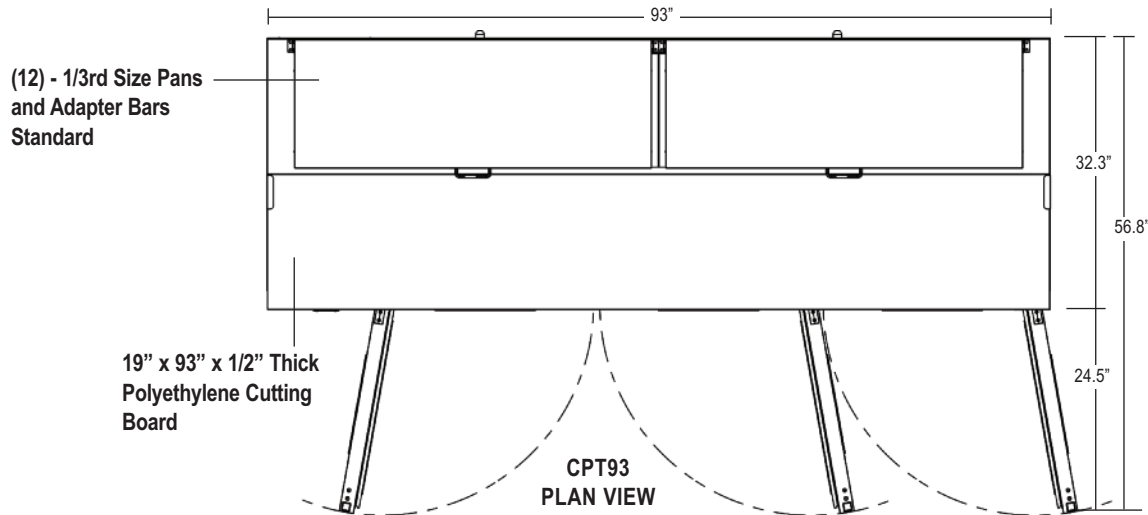
## Commercial Series Pizza Prep Table



CPT93  
FRONT



CPT93  
SIDE VIEW



CPT93  
PLAN VIEW

### Cabinet Construction

The exterior cabinet top, front, and sides, are constructed of high quality stainless steel. The exterior back and bottom are constructed of coated steel. The cabinet interior back and sides are anodized aluminum with an ABS ceiling and stainless steel floor. Two heavy duty epoxy coated shelves per section are standard. Mounted on anodized aluminum pilasters the shelves are adjustable in 1/2" increments. Cabinet walls and doors are insulated with 2" of foamed in place polyurethane. 6" polyolefin, stem casters (two with brakes) are standard. The raised refrigerated rail is constructed of stainless steel interior and exterior (except back is galvanized steel). The rail is air cooled and utilizes a unique ducted air distribution system to distribute air evenly and maintain product temperature at safe levels. The rail will accommodate 1/6th, 1/3rd, 1/2 and full size pans 6" deep. Pans are located 1.5" below the front of the rail to assist in access to food product. An insulated, stainless steel, one piece hinged, lid is standard. Pizza preparation tables are supplied with full length x 19" deep x 1/2" thick N.S.F. approved polyethylene cutting boards as standard.

### Door Construction

Doors are constructed of high grade stainless steel exterior with an ABS interior liner. Hoshizaki's exclusive "stepped" design protects the recessed gasket while product is removed from the cabinet. Doors are provided with a one piece, extruded aluminum, flush mount handle. Spring assisted self-closing doors are equipped with a stay open feature past 90 degrees. Snap-in magnetic door gaskets are durable and easily removed for cleaning. Field reversible door hinging is standard.

### Refrigeration System

Front breathing refrigeration system allows unit to be built in to any enclosure with zero clearance at the side or rear. The high efficiency refrigeration system is self-contained with an enamel coated evaporator for extended life. Condensate removal is accomplished with an energy efficient non-electric evaporation system. A capillary tube controls the flow of environmentally friendly R-134A refrigerant through the evaporator. Refrigeration system utilizes a heated defrost element to eliminate any ice on the evaporator coil. An innovative ducted air distribution system distributes air evenly around food product in the rail. Product temperatures are maintained between 33°F and 41°F at 86° ambient room temperature to comply with N.S.F. 7. Pizza preparation tables are supplied with a full complement of N.S.F. approved polycarbonate plastic, 1/3rd size pans, 4" deep and stainless steel adapter bars. 115 volt units are equipped with an eight foot cord and NEMA rated plug (20.0 amps or less).

© HOSHIZAKI AMERICA, INC.

618 Hwy. 74 S., Peachtree City, GA 30269 • TEL 800-438-6087 • FAX 800-345-1325 • www.hoshizaki.com



Intertek



Intertek



ISO9001-ISO14001