

# DCM-270BAH

## SANITARY CUBELET ICE MACHINE/DISPENSER

Item # \_\_\_\_\_

Project: \_\_\_\_\_

Qty: \_\_\_\_\_

\*AutoCad available on KCL

DCM-270BAH

I/13

Item # 13116

### DIMENSIONS

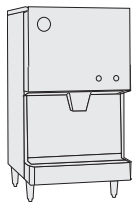
W x D x H

#### DCM-270BAH

16<sup>9/16</sup> x 24<sup>1/8</sup> x 31<sup>11/16</sup>\*  
\*with 4" legs

#### SD-270

16<sup>1/2</sup> x 24 x 35<sup>3/16</sup>



DCM-270



SD-270  
optional  
stand



\*SD-270 door is reversible.

### DCM-270BAH

Air-Cooled  
Shown on an optional  
**SD-270 Stand**

#### DCM-270BAH

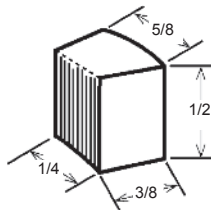
- CleanCycle 12®: Every 12 hours, unit performs 15 minute purge to rid itself of impurities
- Durable stainless steel exterior
- Up to 282 lbs. of ice production per 24 hours
- Easy to chew, cubelet ice
- Self contained design reducing opportunities for cross contamination
- Dispenses ice and water
- Removable air filter
- Stainless steel internal auger
- R-404A Refrigerant
- Protected by H-GUARD Plus Antimicrobial Agent



#### SD-270 Stand

- Heavy duty stand for floor model icemaker/dispenser
- Corrosion resistant stainless steel exterior
- Easy cleaning with attractive appearance
- Locking, reversible door

### CUBELET DIMENSIONS



ISO9001-15014/01

### Warranty

Valid in United States, Canada, Puerto Rico, & U.S. Territories. Contact factory for warranty in other countries.

**Three Year** - Parts & Labor on entire machine. (Serial numbers VxxxxxJ and after.)

**Five Year** - Parts on: hermetic compressor, air-cooled fin and tube type condenser.



# Hoshizaki

## DCM-270BAH SANITARY CUBELET ICE MACHINE/DISPENSER

### DIMENSIONS W x D x H

**DCM-270BAH**  
16<sup>9/16</sup> x 24<sup>1/8</sup> x 31<sup>11/16</sup>  
with 4" legs

**SD-270**  
16<sup>1/2</sup> x 24 x 35<sup>3/16</sup>

- Air-cooled
- Optional stand with locking door

### AIR-COOLED

Water Temp° F.	50°	70°	90°	
Air Temp° F.	70°	282	271	259
80°	248	238	228	
90°	219	<b>215</b>	201	

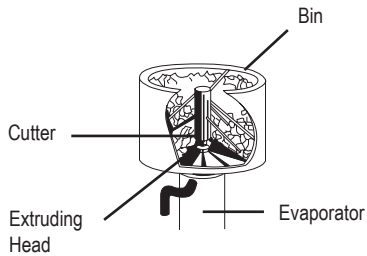
### UTILITY CONSUMPTION

Model Number	KWH per 100 LBS.		GAL per 100 LBS.	
	90/70	70/50	90/70	70/50
DCM-270BAH	7.6	5.5	12.0	12.0

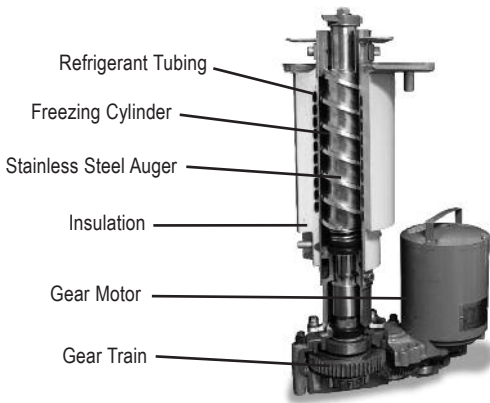
### SPECIFICATIONS

Model Number	Condenser	Amperage	Shipping Weight
DCM-270BAH	Air-Cooled	8.5	165 lbs.
SD-270	N/A	N/A	95 lbs.

Flaked ice compacted into cubelets by extruding head cutter and stored in an insulated bin with continuous agitation during dispensing and direct dispensing auger

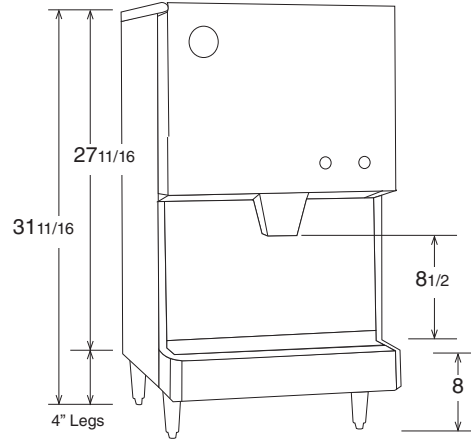


- Circuit breaker or fuse protects gear motor from overload.
- Gear motor runs one minute after termination of ice making to clear all ice from evaporator.

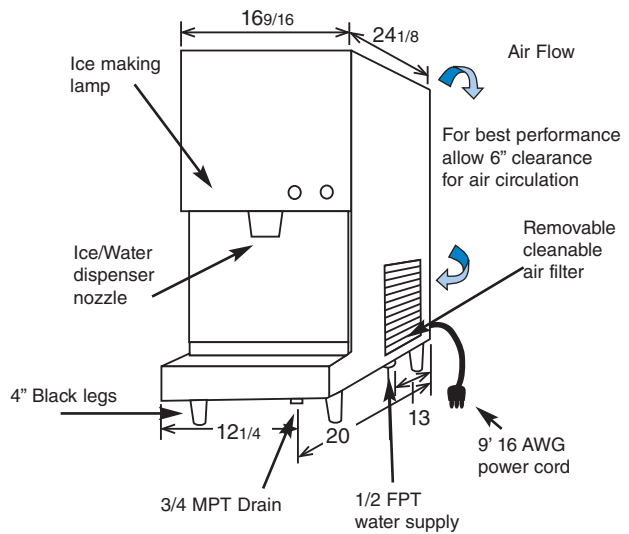


EVAPORATOR

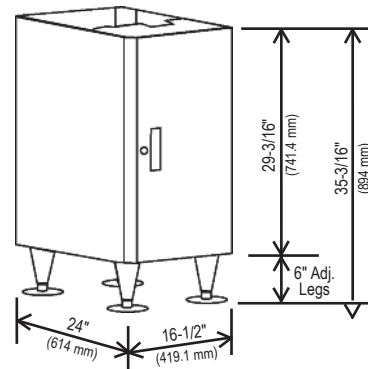
### 9 lb. Capacity Built-in Bin



DCM-270



For best performance allow 6" clearance for air circulation



SD-270

### ELECTRICAL & PLUMBING/DCM-270BAH

- 115V/60/1
- 15 amp cord connection
- 1/2" FPT Water Inlet
- 3/4" MPT Drain



© HOSHIZAKI AMERICA, INC.

618 Hwy. 74 S., Peachtree City, GA 30269

### OPERATING LIMITS

- Ambient Temp Range 45 - 100°F
- Water Temp Range 45 - 90°F
- Water Pressure 10 - 113psig
- Voltage Range 104 - 127V

### SERVICE

- Panels easily removed and all components accessible for service.
- Removable/cleanable air filter.

