

# F-2001M\_H(3)

## MODULAR FLAKER ICE MACHINE

Item # \_\_\_\_\_

Project: \_\_\_\_\_

Qty: \_\_\_\_\_  
 \*AutoCad available on KCL

F-2001M\_H(3)

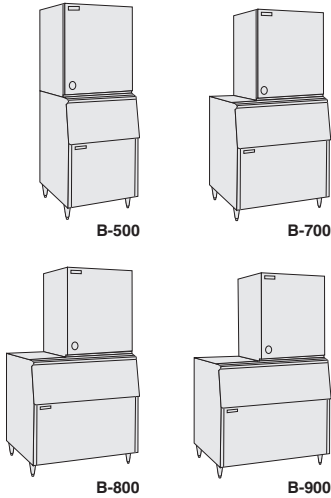
7/14

Item #13340

### FLAKER DIMENSIONS

W x D x H

**F-2001M\_H(3)**  
 30 x 27<sup>1/2</sup> x 34<sup>7/16</sup>



Also available on Large Bins:  
 B-1150SS  
 B-1300SS  
 B-1500SS  
 B-1650SS

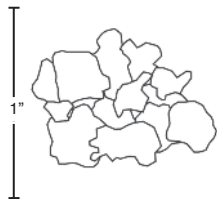


**F-2001MWH**  
 Water-Cooled  
 Shown on an optional  
 B-900

**F-2001MRH**  
 Remote 1 Phase

**F-2001MRH3**  
 Remote 3 Phase

### \*FLAKED ICE DIMENSIONS



\*approximate size, image not to scale

- Up to 2030 lbs. of ice production per 24 hours
- Durable stainless steel exterior
- Advanced CleanCycle24® Design
- Removes sediment
- Cleaner ice
- Longer life and easy maintenance
- R-404A Refrigerant



### Warranty

Valid in United States, Canada, Puerto Rico, & U.S. Territories. Contact factory for warranty in other countries.

**Three Year** - Parts & Labor on entire machine. (Serial numbers Vxxxxx) and after.)

**Five Year** - Parts on: Compressor, air-cooled condenser.



# Hoshizaki

## F-200IM\_H(3) MODULAR FLAKER ICE MACHINE

**DIMENSIONS**  
W x D x H  
**F-200IM\_H(3)**  
30 x 27<sup>1/2</sup> x 34<sup>7/16</sup>

- Water-cooled
- Remote Air-cooled 1 Phase
- Remote Air-cooled 3 Phase

### WATER-COOLED

Water Temp° F.	50°	70°	90°
Air Temp° F.			
70°	2030	1955	1915
80°	1875	1835	1795
90°	1760	<b>1642</b>	1685

### REMOTE AIR-COOLED 1 PHASE

Water Temp° F.	50°	70°	90°
Air Temp° F.			
70°	1990	1930	1880
80°	1825	1775	1730
90°	1685	<b>1592</b>	1595

### REMOTE AIR-COOLED 3 PHASE

Water Temp° F.	50°	70°	90°
Air Temp° F.			
70°	2010	1950	1895
80°	1845	1795	1750
90°	1700	<b>1608</b>	1610

### UTILITY CONSUMPTION

Model Number	KWH per 100 LBS. 90/70	Potable Water Gal. per 100 lbs.
F-2001MWH	3.68	12.0
F-2001MRH	4.19	12.0
F-2001MRH3	4.33	12.0

### SPECIFICATIONS

Model Number	Amperage	Min. Circuit Ampacity	Shipping Weight
F-2001MWH	16.94	30	342 lbs.
F-2001MRH	19.94	30	360 lbs.
F-2001MRH3	18.14	20	360 lbs.

### STORAGE BINS

Model Number	Application Capacity	ARI-Rated Capacity
B-500	500 lbs.	360 lbs.
B-700	700 lbs.	550 lbs.
B-800	800 lbs.	600 lbs.
B-900	900 lbs.	660 lbs.
B-1150	1150 lbs.	N/A
B-1300	1275 lbs.	N/A
B-1500	1490 lbs.	N/A
B-1650	1605 lbs.	N/A

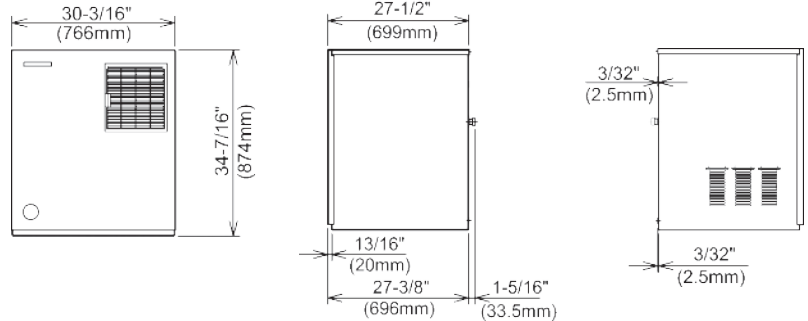
### ELECTRICAL & PLUMBING/F-200IM\_H(3)

- 208-230/60/1 (3 wire dedicated neutral for 115V)
- 3/8" OD copper or equivalent independent water supply with 1/4" nominal ID minimum
- 3/4" FPT independent drain connection



© HOSHIZAKI AMERICA, INC.

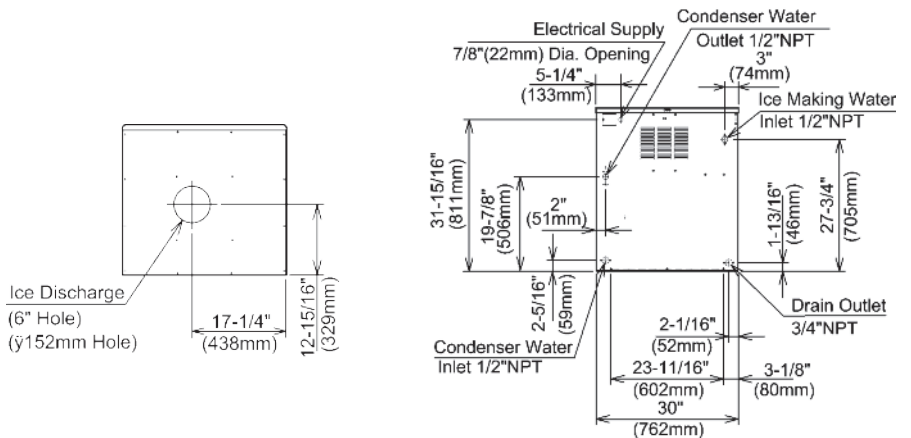
618 Hwy. 74 S., Peachtree City, GA 30269



FRONT VIEW

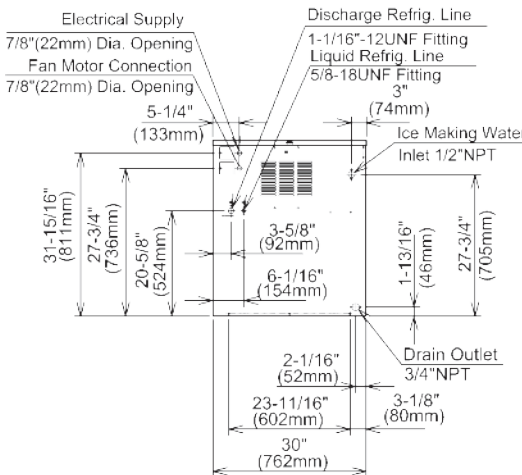
LEFT SIDE VIEW

RIGHT SIDE VIEW



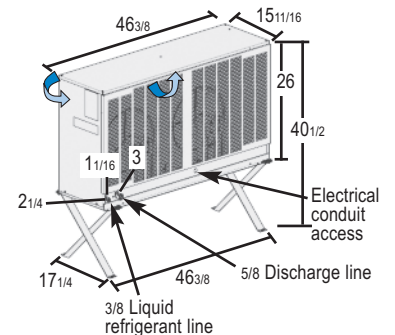
ICE DROP ZONE

WATER-COOLED UNIT



REMOTE AIR-COOLED UNIT

URC-22F Remote Condenser (Sold Separately)  
For Use with F-2001MRH / F-2001MRH3



Voltage supply for the URC Remote Condenser is supplied from the Ice Maker. No additional circuit is required.

Pre-Charged Tubing Kits (Sold Separately)  
20' R404-20610  
35' R404-35610  
55' R404-55610

### OPERATING LIMITS

- Ambient Temp Range 45 - 100°F
- Water Temp Range 45 - 90°F
- Water Pressure 10 - 113psig
- Voltage Range 187 - 253V

### SERVICE

- Panels easily removed and all components accessible for service.
- Removable/cleanable air filter.

