

# JWE-620UA-6B

## Jet Wash High Temperature Commercial Warewasher



- Operation panel can be placed on either left or right side of unit



**JWE-620UA-6B**  
Jet Wash Warewasher  
Shown

- Constructed of durable stainless steel
- Narrow depth allows for tight space installation
- Adjustable digital operation panel
- 18" door opening height
- 2 separate pumps - washing (1HP), rinsing (.134HP)
- Environmentally friendly
- Low operation expense
- Ease of maintenance and cleaning
- Patented removable dish rack rail
- Efficient washing and rinsing performance – 0.53 gallons per cycle combined with wide angle nozzle and high pressure pump increases washing
- Interchangeable triple nozzle washing head on upper and lower
- Independent upper and lower section high pressure rinsing arms
- Tube-in-Tube pipe structure sustains constant water temperature to ensure sanitation
- Hood door easily opens and closes with patent pending compression spring

\* The JWE-620UA-6B is ENERGY STAR qualified - ideal for LEED Certified buildings

JWE-620UA-6B  
8/11

Item # 13257

Project:

Qty:

\*AutoCad available on KCLHoshizaki reserves the right to change specifications without notice.

### Dimensions w x d x h

JWE-620UA-6B  
25<sup>1/4</sup> x 25<sup>13/16</sup> x 60<sup>1/2</sup>

### Power Supply

208 - 230V/60/3ø

### Amperage

36.6A

### Minimum Circuit

### Ampacity

50A

### Shipping Weight

344 Lbs.

### Racks per hour

62

### Warranty

Valid in United States, Canada, Puerto Rico, and U.S. Territories. Contact factory for warranty in other countries. **Contact the factory for details.**

- One Year - Parts & Labor

### © HOSHIZAKI AMERICA, INC.

618 Hwy. 74 S., Peachtree City, GA 30269

TEL 1-800-438-6087

FAX 1-800-345-1325

www.hoshizaki.com



# JWE-620UA-6B

Jet Wash High Temperature Commercial Warewasher

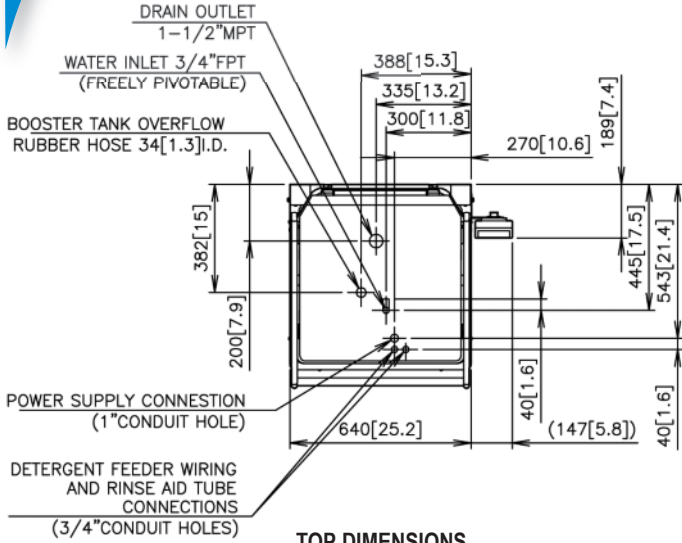
**DIMENSIONS**  
W x D x H

JWE-620UA-6B  
25<sup>1/4</sup> x 25<sup>13/16</sup> x 60<sup>1/2</sup>

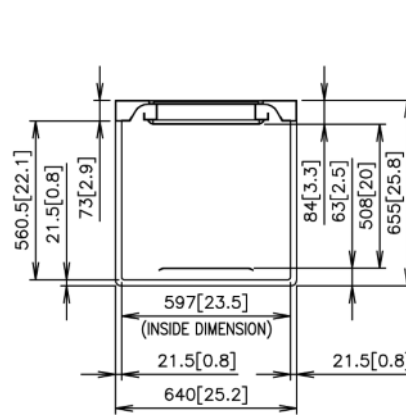


ISO9001-ISO14001

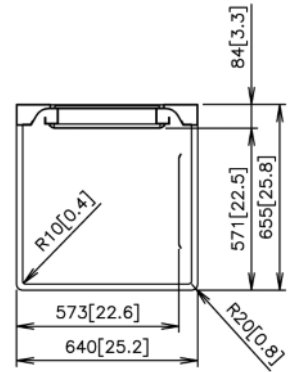
Intertek



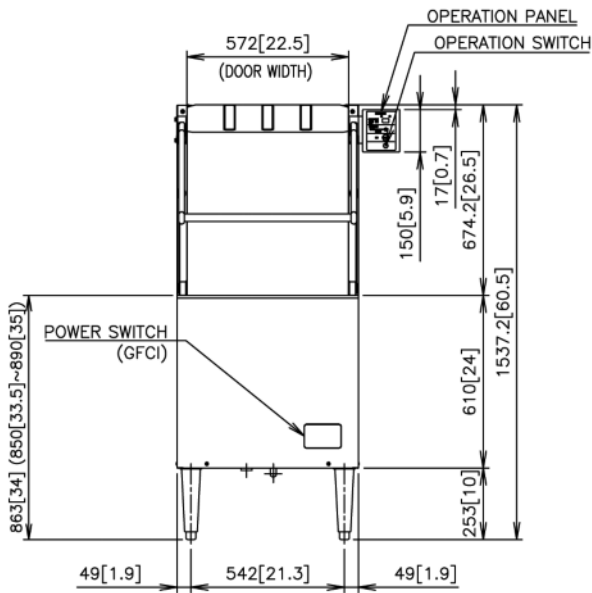
TOP DIMENSIONS



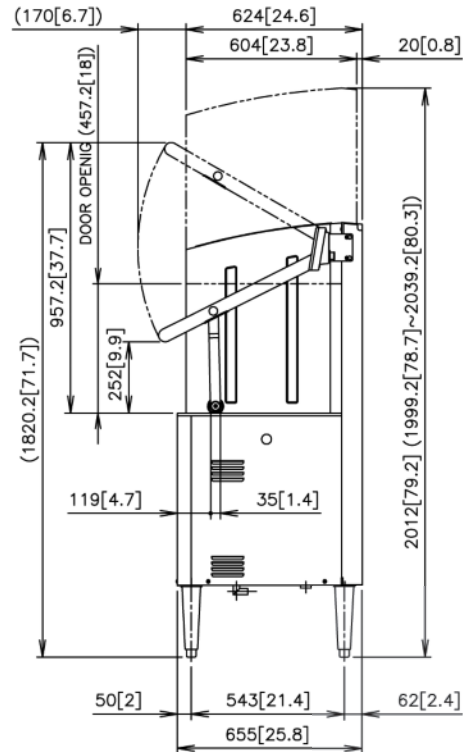
STRAIGHT INSTALLATION



CORNER INSTALLATION



FRONT DIMENSIONS



SIDE DIMENSIONS

