



KM-1100M_H

MODULAR CRESCENT CUBER



KM-1100M_H
2/29/16
Item # 13359

Item #: _____
 Project: _____
 Qty: _____
 AIA#: _____

Features

- ▶ Individual crescent cube
- ▶ Stainless steel evaporator
- ▶ CycleSaver™ design

- Up to 1184 lbs. of ice production per 24 hours
- Durable stainless steel exterior
- Protected by H-Guard Plus Antimicrobial Agent
- EverCheck™ alert system
- Removable air filters (Air-cooled model only)
- R-404A Refrigerant

Available on Bins:

B-500PF/SF B-800PF/SF B-1150SS B-1500SS
 B-700PF/SF B-900PF/SF B-1300SS B-1650SS

Top kit may be required. See Bin Spec Sheets.

Warranty:

3 Year Parts & Labor on entire machine. 5 Year Parts & Labor on Evaporator. 5 Year Parts on Compressor; air-cooled condenser coil. Valid in United States, Canada, Puerto Rico and U.S. Territories. Contact factory for warranty in other countries.



W x D x H
30" x 27^{3/8"} x 32^{1/2"}

KM-1100MAH
 Air-Cooled
 Shown on optional bin B-500

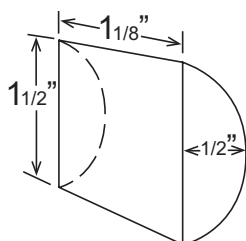
KM-1100MWH
 Water-Cooled

KM-1100MRH ★
 Remote Air-Cooled



Condenser	Model	ICE PRODUCTION		Per Cycle		WATER USAGE			ELECTRICAL			Heat Rejection BTU/hr.	Shipping Weight	ENERGY STAR®		
		Air / Water Temp Lbs. per 24 hours	70°/50°F	90°/70°F	Lbs.	Cubes	Potable Gal. per 100 lbs.	Condenser Gal. per 100 lbs.	kWh Used per 100 lbs.	Max. Fuse Size or HACR Circuit Breaker	Amperage				Voltage	
Air-Cooled	KM-1100MAH	1184	70°/50°F	1010	90°/70°F	20.1	960	17.3	N/A	5.02	20A	10.8A	208-230/60/1	18,400	290 lbs.	
Water-Cooled	KM-1100MWH	1111	70°/50°F	1076	90°/70°F	19.7	960	16.9	126.6	3.81	20A	9.6A	208-230/60/1	17,900	285 lbs.	
Remote Air-Cooled	KM-1100MRH	1183	70°/50°F	1027	90°/70°F	20.1	960	16.4	N/A	4.66	20A	12.5A	208-230/60/1	19,200	280 lbs.	★

KM Cube Dimensions*



* approximate size in inches, image not to scale

Operating Limits

- Ambient Temp Range 45 - 100°F
- Water Temp Range 45 - 90°F
- Water Pressure 10 - 113 PSIG
- Voltage Range 187-253V

Service

- Panels easily removed and all components accessible for service.
- Allow 6" (15 cm) clearance at rear, sides, and top for proper air circulation and ease of maintenance/service.

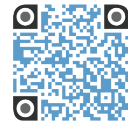
Plumbing

- Icemaker Water Supply Line: Minimum 3/8" Nominal ID Copper Water Tubing or Equivalent
- Icemaker Drain Line: Minimum 3/4" Nominal ID Hard Pipe or Equivalent
- Water-Cooled Model (Lines Must Be Independent of Icemaker)
- Condenser Water Supply Line: Minimum 3/8" Nominal ID Copper Water Tubing or Equivalent
- Condenser Drain/Return Line: Minimum 3/8" Nominal ID Hard Pipe (open drain system) or Copper Water Tubing (closed loop system) or Equivalent



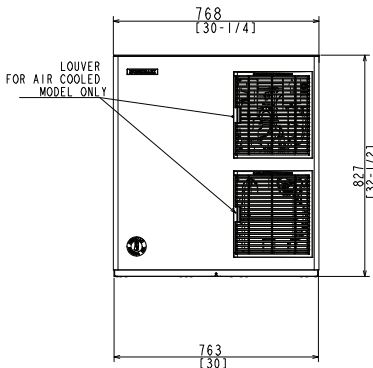
KM-1100M_H

MODULAR CRESCENT CUBER

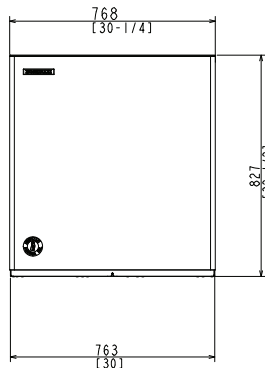


KM-1100M_H
2/29/16
Item # 13359

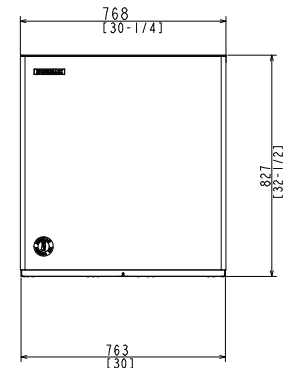
FRONT VIEW



AIR-COOLED

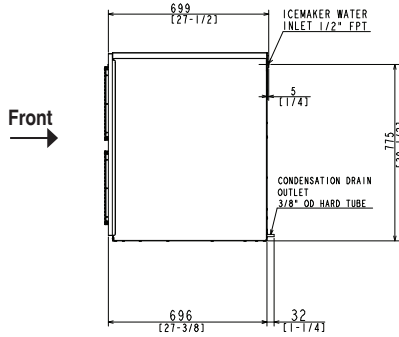


WATER-COOLED

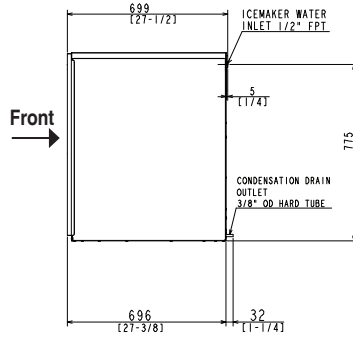


REMOTE AIR-COOLED

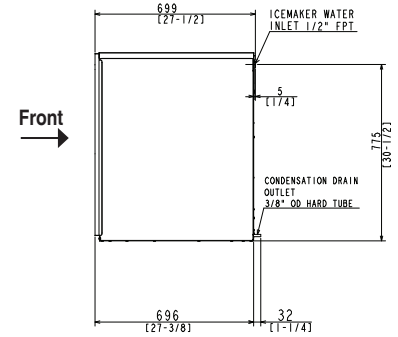
SIDE VIEW



AIR-COOLED

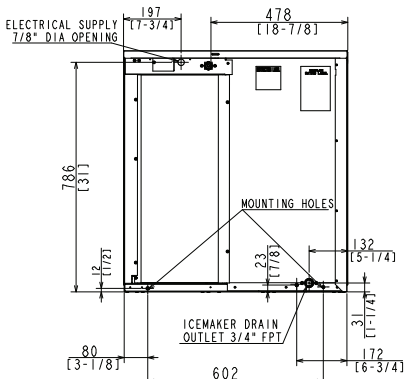


WATER-COOLED

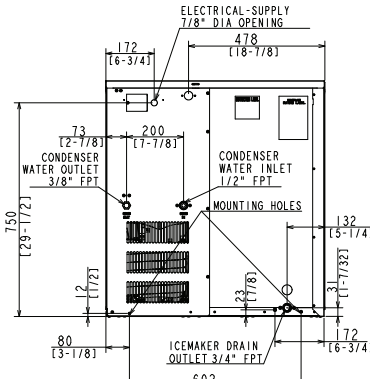


REMOTE AIR-COOLED

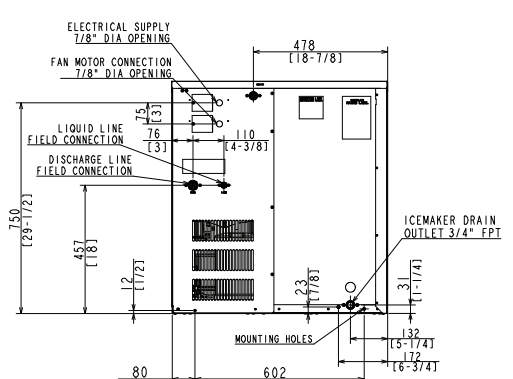
REAR VIEW



AIR-COOLED

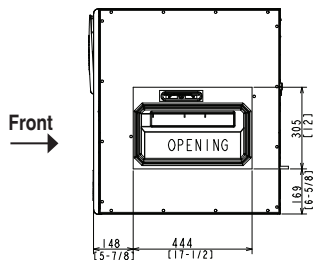


WATER-COOLED

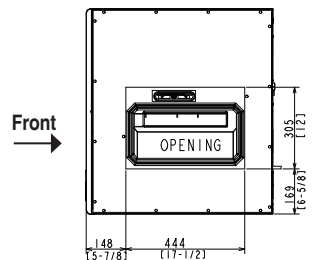


REMOTE AIR-COOLED

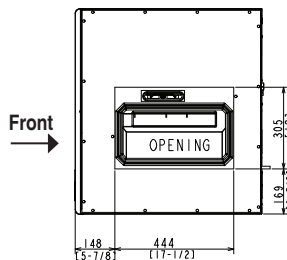
BOTTOM VIEW



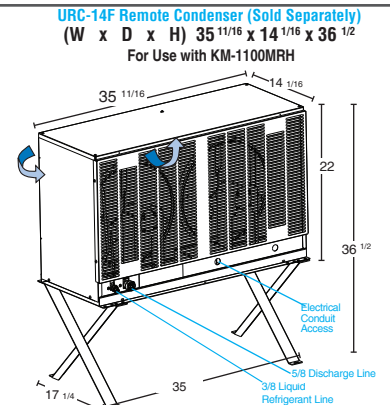
AIR-COOLED



WATER-COOLED



REMOTE AIR-COOLED



Pre-Charged Tubing Kits

- (Sold Separately)
- 20' R404-2068-2
- 35' R404-3568-2
- 55' R404-5568-2



Voltage supply for the URC Remote Condenser is supplied from the Ice Maker. No additional circuit is required.