

# KM-1301S\_H(3)

## STACKABLE ICE CUBER

Item # \_\_\_\_\_

Project: \_\_\_\_\_

Qty: \_\_\_\_\_

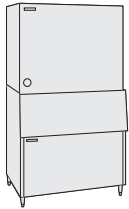
\*AutoCad available on KCL

KM-1301S\_H(3)

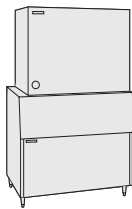
10/12

Item # 13232

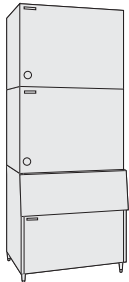
**KM-1301S\_H(3)**  
48 x 27<sup>3/8</sup> x 27<sup>3/8</sup>



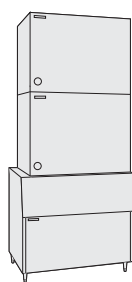
B-800



B-900



B-800

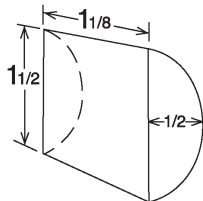


B-900

Also available on Large Bins:

B-1150SS  
B-1300SS  
B-1500SS  
B-1650SS

### KM CUBE DIMENSIONS



### KM-1301SAH

Air-Cooled 1 Phase

### KM-1301SAH3

Air-Cooled 3 Phase

### KM-1301SWH

Water-Cooled 1 Phase  
Shown on an optional  
B-900

### KM-1301SWH3

Water-Cooled 3 Phase

### KM-1301SRH

Remote Air-Cooled 1 Phase

### KM-1301SRH3

Remote Air-Cooled 3 Phase



- Up to 1353 lbs. of ice production per 24 hours

- Durable stainless steel exterior

- Protected by H-GUARD Plus Antimicrobial Agent 

- CycleSaver® design 

- EverCheck® alert system 

- Individual crescent cube

- Stainless steel evaporator

- Stackable for 2706 lbs. per 24 hour ice production in the same floor space

- Removable air filters (Air-cooled model only)

- R-404A Refrigerant

\* The KM-1301SAH, KM-1301SAH3, KM-1301SRH and KM-1301SRH3 are ENERGY STAR qualified

### Warranty

Valid in United States, Canada, Puerto Rico, & U.S. Territories. Contact factory for warranty in other countries.

**Three Year** - Parts & Labor on entire machine.

**Five Year** - Parts & Labor on: Evaporator.

**Five Year** - Parts on: Compressor, air-cooled condenser coil.



ISO 9001-5:21000

© HOSHIZAKI AMERICA, INC.

618 Hwy. 74 S., Peachtree City, GA 30269

TEL 1-800-438-6087

FAX 1-800-345-1325

www.hoshizaki.com



# HOSHIZAKI

## DIMENSIONS W x D x H KM-130IS\_H(3) 48 x 27<sup>3/8</sup> x 27<sup>3/8</sup>

## STACKABLE ICE CUBER

- Air-cooled 1 phase / Air-cooled 3 phase
- Water-cooled 1 phase / Water-cooled 3 phase
- Remote Air-cooled 1 phase / Remote Air-cooled 3 phase

# KM-130IS\_H(3) STACKABLE ICE CUBER

### AIR - COOLED 1 PHASE / AIR - COOLED 3 PHASE

Water Temp ° F.	50°	70°	90°
Air Temp ° F.			
70°	1329 / 1298	1281 / 1257	1188 / 1162
80°	1292 / 1267	1217 / 1204	1109 / 1086
90°	1281 / 1257	<b>1164 / 1159</b>	1060 / 1049

### WATER - COOLED 1 PHASE / 3 PHASE

Water Temp ° F.	50°	70°	90°
Air Temp ° F.			
70°	1318 / 1333	1319 / 1323	1249 / 1246
80°	1319 / 1326	1321 / 1311	1211 / 1198
90°	1319 / 1323	<b>1323 / 1300</b>	1228 / 1201

### REMOTE AIR - COOLED 1 PHASE / 3 PHASE

Water Temp ° F.	50°	70°	90°
Air Temp ° F.			
70°	1353 / 1339	1315 / 1297	1219 / 1203
80°	1324 / 1307	1264 / 1243	1144 / 1127
90°	1315 / 1297	<b>1222 / 1197</b>	1110 / 1088

### UTILITY CONSUMPTION

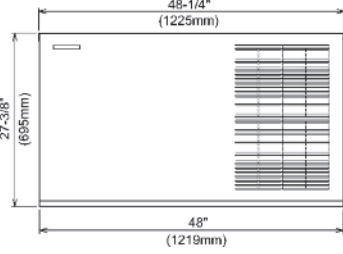
Model Number	Ice Production Per Cycle		KWH per 100 LBS.	Potable Water Gal. per 100 lbs.	Condenser Water Gal. per 100 lbs.
	Lbs.	Cubes			
KM-1301SAH	29.8	1440	4.63	15.7	N/A
KM-1301SAH3	30.4	1440	4.6	15.6	N/A
KM-1301SWH	31.0	1440	3.2	19.4	118
KM-1301SWH3	32.2	1440	3.4	19.1	119
KM-1301SRH	31.1	1440	4.1	16.6	N/A
KM-1301SRH3	30.7	1440	4.3	16.0	N/A

### SPECIFICATIONS

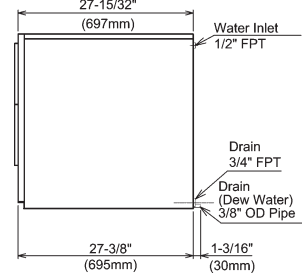
Model Number	Condenser	Amperage	Min. Circuit Ampacity	Shipping Weight
KM-1301SAH	Air-Cooled	12.4	20	315 lbs.
KM-1301SAH3	Air-Cooled	9.5	20	315 lbs.
KM-1301SWH	Water-Cooled	8.2	20	315 lbs.
KM-1301SWH3	Water-Cooled	6.1	20	315 lbs.
KM-1301SRH	Remote Air-Cooled	13.5	20	315 lbs.
KM-1301SRH3	Remote Air-Cooled	10.7	20	315 lbs.

### STORAGE BINS

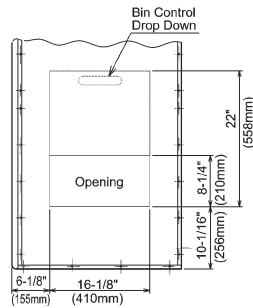
Model Number	Application Capacity	ARI-Rated Capacity
B-800	800 lbs.	600 lbs.
B-900	900 lbs.	660 lbs.
B-1150	1150 lbs.	N/A
B-1300	1275 lbs.	N/A
B-1500	1490 lbs.	N/A
B-1650	1605 lbs.	N/A



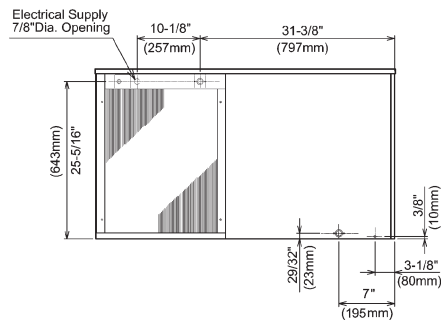
FRONT VIEW



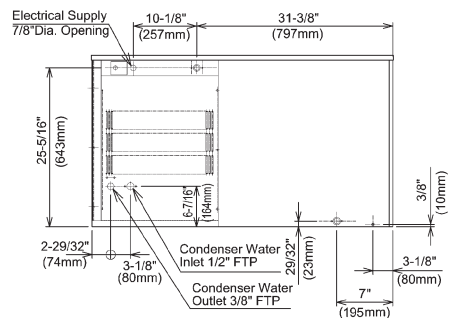
SIDE VIEW



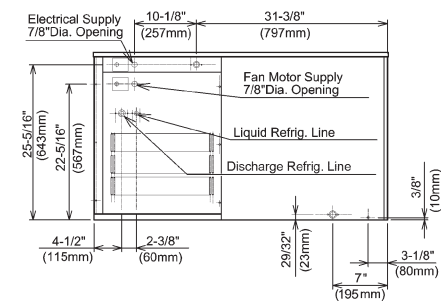
ICE DROP ZONE



AIR-COOLED UNIT

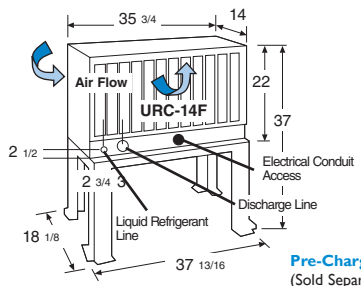


WATER-COOLED UNIT



REMOTE AIR-COOLED UNIT

**URC-14F Remote Condenser** (Sold Separately)  
For Use with KM-1301SRH3



**Pre-Charged Tubing Kits**  
(Sold Separately)  
20' R404-2068-2  
35' R404-3568-2  
55' R404-5568-2

**Voltage supply for the URC Remote Condenser is supplied from the Ice Maker. No additional circuit is required.**

### ELECTRICAL & PLUMBING/KM-130IS\_H(3)

- KM-1301SAH / SVWH / SRH
- 208 - 230V/60/1ø (3 wire with neutral for 115V)
- 20 amp Max Fuse/HACR Breaker Size
- KM-1301SAH3 / SVWH3 / SRH3
- 208 - 230V/60/3ø
- 20 amp Max Fuse/HACR Breaker Size
- 1/2" OD copper or equivalent independent potable water supply
- 3/4" FPT independent drain connection



© HOSHIZAKI AMERICA, INC.

618 Hwy. 74 S., Peachtree City, GA 30269

### OPERATING LIMITS

- Ambient Temp Range 45 - 100° F
- Water Temp Range 45 - 90° F
- Water Pressure 10 - 113psig
- Voltage Range 187 - 253V

### CONDENSING UNIT

- Voltage Range 104 - 127V
- Ambient Temp Range -20 - 122° F

### SERVICE

- Panels easily removed and all components accessible for service.
- Removable/cleanable air filters (Air-cooled model only)

TEL 1-800-438-6087

FAX 1-800-345-1325

www.hoshizaki.com

Printed in U.S.A.

