



# KM-1340M\_H(3)

MODULAR CRESCENT ICE CUBER



KM-1340M\_H(3)  
01/22/16  
Item # 13175

**W x D x H**  
30" x 27<sup>3/8</sup>" x 41<sup>1/2</sup>"

**KM-1340MAH**  
Air-Cooled 1 Phase  
Shown on optional bin: B900

**KM-1340MWH**  
Water-Cooled 1 Phase

**KM-1340MRH** ★  
Remote Air-Cooled 1 Phase

**KM-1340MRH3**  
Remote Air-Cooled 3 Phase



Item #: \_\_\_\_\_  
Project: \_\_\_\_\_  
Qty: \_\_\_\_\_  
AIA#: \_\_\_\_\_

## Features

- ▶ Individual crescent cube
- ▶ Stainless steel evaporator
- ▶ CycleSaver™ design

- Up to 1401 lbs. of ice production per 24 hours
- Durable stainless steel exterior
- Protected by H-Guard Plus Antimicrobial Agent
- EverCheck™ alert system
- Removable air filters (Air-cooled model only)
- R-404A Refrigerant

### Available on Bins:

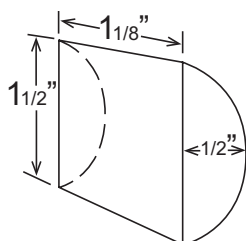
**B-1150SS B-1500SS** Top kit may be required.  
**B-1300SS B-1650SS** See Bin Spec Sheets.

### Warranty:

3 Year Parts & Labor on entire machine. 5 Year Parts & Labor on Evaporator. 5 Year Parts on Compressor; air-cooled condenser coil.  
Valid in United States, Canada, Puerto Rico and U.S. Territories. Contact factory for warranty in other countries.

	Condenser	Model	ICE PRODUCTION		WATER USAGE		ELECTRICAL			Heat Rejection BTU/hr.	Shipping Weight	ENERGY STAR®			
			Air / Water Temp Lbs. per 24 hours	Per Cycle	Potable Gal. per 100 lbs.	Condenser Gal. per 100 lbs.	kWh Used per 100 lbs.	Max. Fuse Size or HACR Circuit Breaker	Amperage				Voltage		
			70° / 50°F	90° / 70°F	Lbs.	Cubes	90° / 70°F	90° / 70°F	90° / 70°F						
1 Phase	Air-Cooled	KM-1340MAH	1325	1167	28.1	1440	18.3	N/A	4.7	20A	13.2A	208-230V/60/1	20,300	315 lbs.	
	Water-Cooled	KM-1340MWH	1329	1316	28.1	1440	19.7	133	3.9	20A	10.7A	208-230V/60/1	17,200	293 lbs.	
3 Phase	Remote Air-Cooled	KM-1340MRH	1401	1251	28.7	1440	18.3	N/A	4.5	20A	13.4A	208-230V/60/1	17,600	289 lbs.	★
	Remote Air-Cooled	KM-1340MRH3	1364	1185	28.7	1440	21.5	N/A	4.75	20A	9A	208-230V/60/3	21,800	289 lbs.	

## KM Cube Dimensions\*



\* approximate size in inches, image not to scale

## Operating Limits

- Ambient Temp Range 45 - 100°F
- Water Temp Range 45 - 90°F
- Water Pressure 10 - 113 PSIG
- Voltage Range 187 - 253V

## Service

- Panels easily removed and all components accessible for service.
- Allow 6" (15cm) clearance at rear, sides, and top for proper air circulation and ease of maintenance/service.

## Plumbing

- Icemaker Water Supply Line: Minimum 3/8" Nominal ID Copper Water Tubing or Equivalent
- Icemaker Drain Line: Minimum 3/4" Nominal ID Hard Pipe or Equivalent
- Water-Cooled Model (Lines Must Be Independent of Icemaker)
- Condenser Water Supply Line: Minimum 3/8" Nominal ID Copper Water Tubing or Equivalent
- Condenser Drain/Return Line: Minimum 3/8" Nominal ID Hard Pipe (open drain system) or Copper Water Tubing (closed loop system) or Equivalent



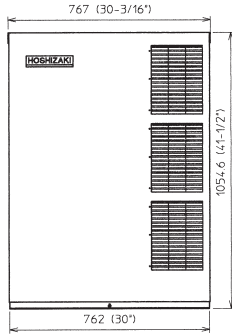
# KM-1340M\_H(3)

## MODULAR CRESCENT ICE CUBER

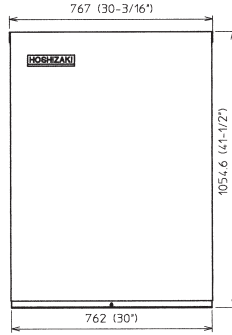


KM-1340M\_H(3)  
01/22/16  
Item # 13175

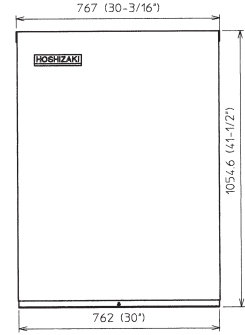
FRONT VIEW



AIR-COOLED

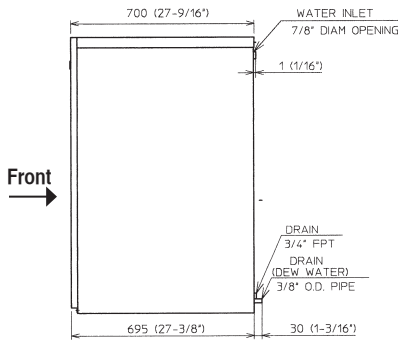


WATER-COOLED

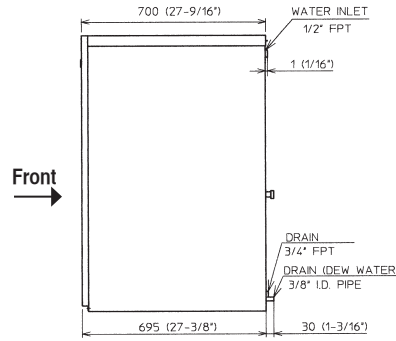


REMOTE AIR-COOLED

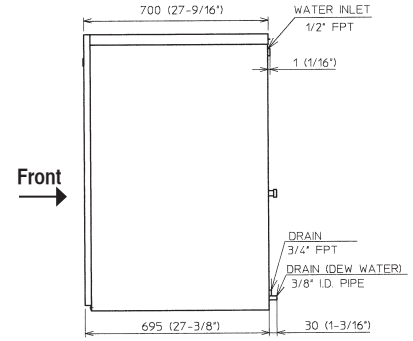
SIDE VIEW



AIR-COOLED

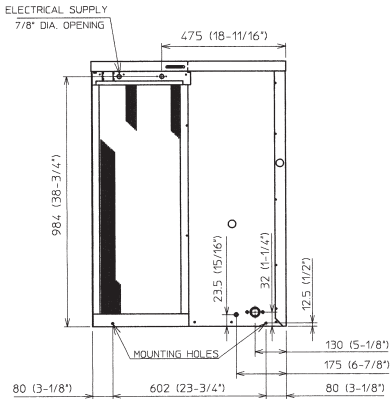


WATER-COOLED

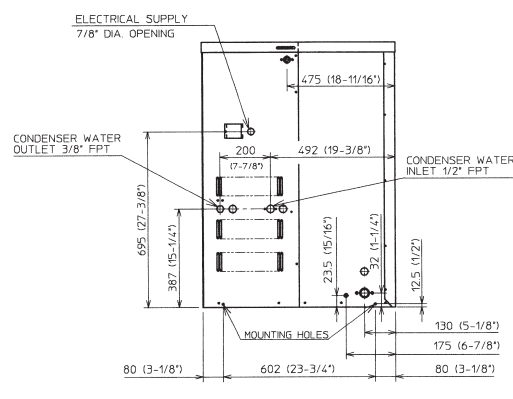


REMOTE AIR-COOLED

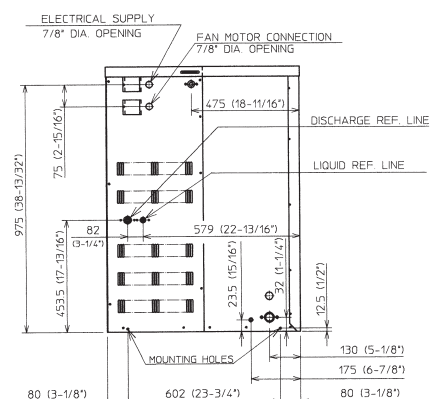
BACK VIEW



AIR-COOLED

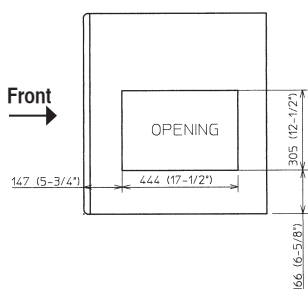


WATER-COOLED

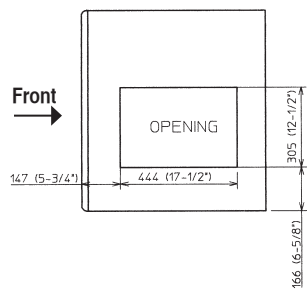


REMOTE AIR-COOLED

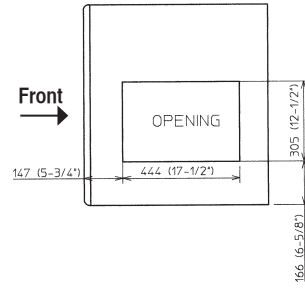
BOTTOM VIEW



AIR-COOLED

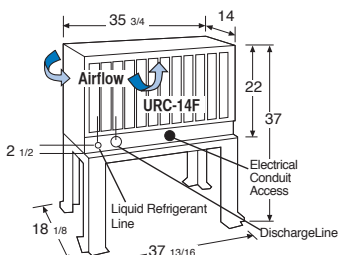


WATER-COOLED



REMOTE AIR-COOLED

URC-14F Remote Condenser (Sold Separately)  
For Use with KM-1340MRH(3)



Pre-Charged Tubing Kits  
(Sold Separately)  
20' R404-2068-2  
35' R404-3568-2  
55' R404-5568-2



Voltage supply for the URC  
Remote Condenser is supplied  
from the Ice Maker. No additional  
circuit is required.