



KM-340M_H

SLIM-LINE MODULAR CRESCENT CUBER



KM-340M_H
09/21/15
Item # 13344

Item #: _____
Project: _____
Qty: _____
AIA#: _____

Features

- ▶ Individual crescent cube
- ▶ Stainless steel evaporator
- ▶ CycleSaver™ design

- Up to 387 lbs. of ice production per 24 hours
- Durable stainless steel exterior
- Protected by H-Guard Plus Antimicrobial Agent
- EverCheck™ alert system
- Removable air filters (Air-cooled model only)
- R-404A Refrigerant

Available on Bins:

B-250 B-800 B-1500SS
B-300 B-900 B-1650SS
B-500 B-1150SS
B-700 B-1300SS

Available on Dispensers:

DB-130H
DB-200H
DM-200B

W x D x H
22" x 27^{3/8}" x 30^{5/16}"

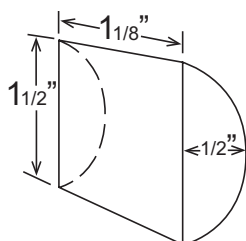
KM-340MAH ★
Air-Cooled 1 Phase
Shown on optional Bin: B-300

KM-340MWH
Water-Cooled 1 Phase



	Condenser	Model	ICE PRODUCTION		Per Cycle	KWH per 100 lbs.	Potable Water Gal. per 100 lbs.	Condenser Water Gal. per 100 lbs.	Min. Circuit Ampacity	Voltage	Heat Rejection BTU/hr.	Shipping Weight	ENERGY STAR®		
			Air / Water Temp Lbs. per 24 hours											Lbs.	Cubes
			70°/ 50°F	90°/ 70°F											
1 Phase	Air-Cooled	KM-340MAH	387	325	11.3	480	5.9	20.0	N/A	20	115V/60/1	6,700	153 lbs.	★	
	Water-Cooled	KM-340MWH	386	360	11.3	480	4.9	20.5	115	20	115V/60/1	7,500	175 lbs.		

KM Cube Dimensions*



* approximate size in inches, image not to scale

Operating Limits

- Ambient Temp Range 45 - 100°F
- Water Temp Range 45 - 90°F
- Water Pressure 10 - 113 PSIG
- Voltage Range 104 - 127V

Service

- Panels easily removed and all components accessible for service.
- Removable/cleanable air filters. (Air-Cooled model only)
- Allow 6" (15cm) clearance at rear, sides, and top for proper air circulation and ease of maintenance/service.

Plumbing

- Icemaker Water Supply Line: Minimum 1/4" Nominal ID Copper Water Tubing or Equivalent
- Icemaker Drain Line: Minimum 3/4" Nominal ID Hard Pipe or Equivalent
- Water-Cooled Model (Lines Must Be Independent of Icemaker)
- Condenser Water Supply Line: Minimum 1/4" Nominal ID Copper Water Tubing or Equivalent
- Condenser Drain/Return Line: Minimum 1/4" Nominal ID Hard Pipe (open drain system) or Copper Water Tubing (closed loop system) or Equivalent

Hoshizaki reserves the right to change specifications without notice.



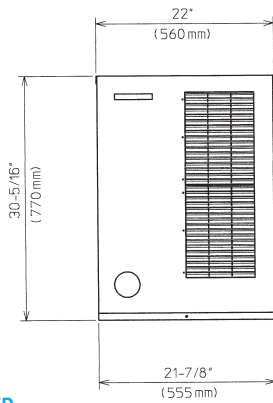
KM-340M_H

SLIM-LINE MODULAR CRESCENT CUBER

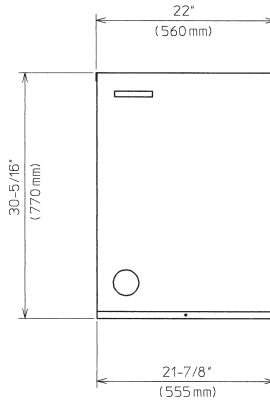


KM-340M_H
09/21/15
Item # 13344

FRONT VIEW

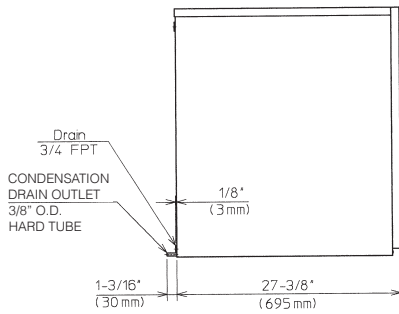


AIR-COOLED

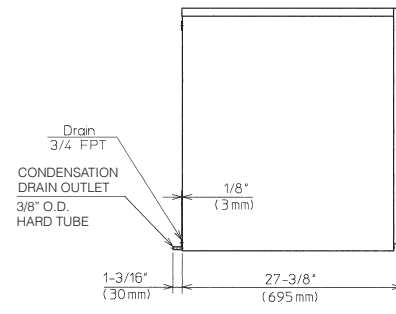


WATER-COOLED

SIDE VIEW

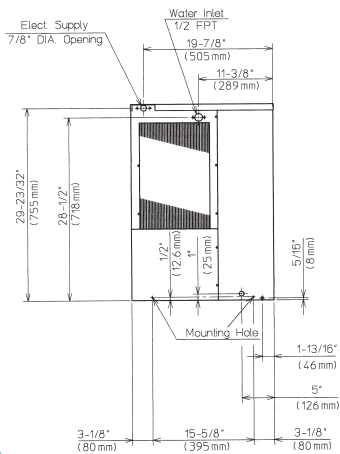


AIR-COOLED

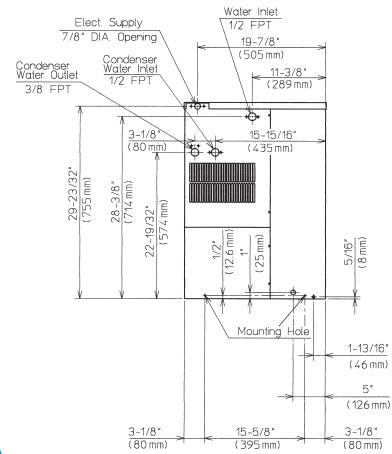


WATER-COOLED

BACK VIEW

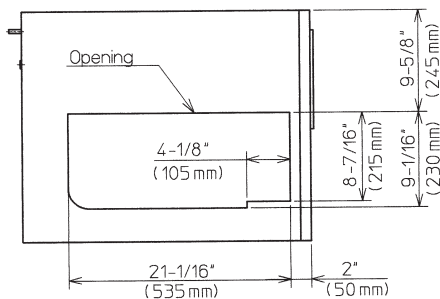


AIR-COOLED

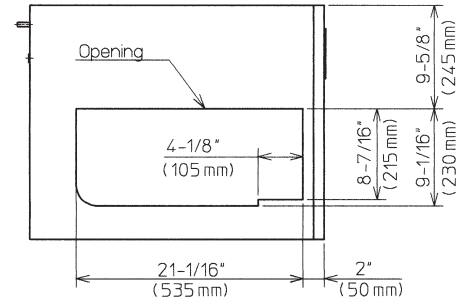


WATER-COOLED

BOTTOM VIEW



AIR-COOLED



WATER-COOLED