

# KMD-450M\_H

## MODULAR CRESCENT CUBER

Item # \_\_\_\_\_

Project: \_\_\_\_\_

Qty: \_\_\_\_\_

\*AutoCad available on KCL

KMD-450M\_H

6/11

Item # 13243

### CUBER DIMENSIONS

W x D x H

**KMD-450M\_H**

30 x 24<sup>1/4</sup> x 22<sup>1/8</sup>






### KMD-450MAH

Air-Cooled  
Shown on an optional  
Lancer 30" Dispenser

### KMD-450MWH

Water-Cooled

- Up to 460 lbs. of ice production per 24 hours
  - Ice on beverage design
  - Durable stainless steel exterior
  - Individual crescent cube
  - Protected by *H-GUARD Plus* Antimicrobial Agent 
  - CycleSaver® Design 
  - EverCheck® alert system 
  - Stainless steel evaporator
  - Removable air filters (Air-cooled model only)
  - Front air inlet panels available for side-by-side application (used with HS-0230 Kit)
  - R-404A Refrigerant
  - *KMD-450MAH - Not recommended for side-by-side application*
- \* The KMD-450MAH is ENERGY STAR qualified.

Also available on Bins:  
B-500PF/SF\*

\*used with separate HS Kit  
HS-2129



ISO 9001-5:21608

### Warranty

Valid in United States, Canada, Puerto Rico, & U.S. Territories. Contact factory for warranty in other countries.

**Three Year** - Parts & Labor on entire machine.

**Five Year** - Parts & Labor on: Evaporator.

**Five Year** - Parts on: Compressor, air-cooled condenser coil.



# KMD-450M\_H MODULAR CRESCENT CUBER

**DIMENSIONS**  
W x D x H  
**KMD-450M\_H**  
30 x 24<sup>1/4</sup> x 22<sup>1/8</sup>

- Air-cooled
- Water-cooled

## AIR-COOLED

| Water Temp° F.   | 50° | 70°        | 90° |
|------------------|-----|------------|-----|
| Air Temp° F. 70° | 457 | 436        | 398 |
| 80°              | 441 | 409        | 365 |
| 90°              | 436 | <b>387</b> | 344 |

## WATER-COOLED

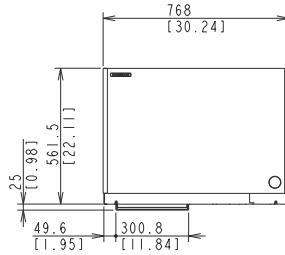
| Water Temp° F.   | 50° | 70°        | 90° |
|------------------|-----|------------|-----|
| Air Temp° F. 70° | 460 | 447        | 415 |
| 80°              | 450 | 429        | 389 |
| 90°              | 447 | <b>415</b> | 377 |

## UTILITY CONSUMPTION

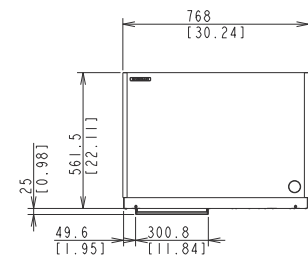
| Model Number | Ice Production Per Cycle |       | KWH per 100 LBS. 90/70 | Potable Water Gal. per 100 lbs. 90/70 | Condenser Water Gal. per 100 lbs. 90/70 |
|--------------|--------------------------|-------|------------------------|---------------------------------------|---|
|              | Lbs.                     | Cubes |                        |                                       |   |
| KMD-450MAH   | 9.6                      | 432   | 5.48                   | 18.9                                  | N/A                                     |
| KMD-450MWH   | 9.3                      | 432   | 4.55                   | 17.8                                  | 126                                     |

## SPECIFICATIONS

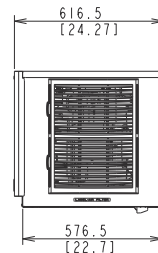
| Model Number | Condenser    | Amperage | Min. Circuit Ampacity | Shipping Weight |
|--------------|--------------|----------|-----------------------|-----------------|
| KMD-450MAH   | Air-Cooled   | 10.0     | 15A                   | 170 lbs.        |
| KMD-450MWH   | Water-Cooled | 8.5      | 15A                   | 170 lbs.        |



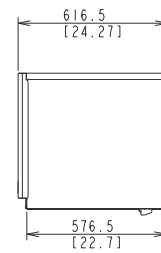
FRONT VIEW (Air-cooled)



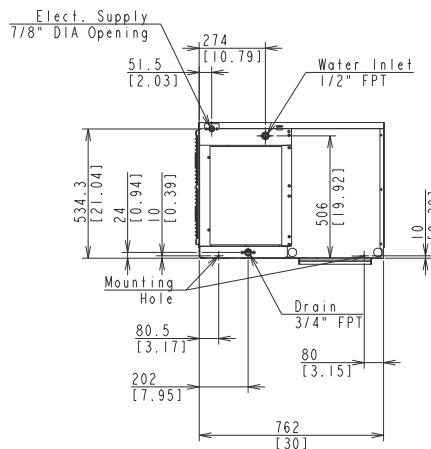
FRONT VIEW (Water-cooled)



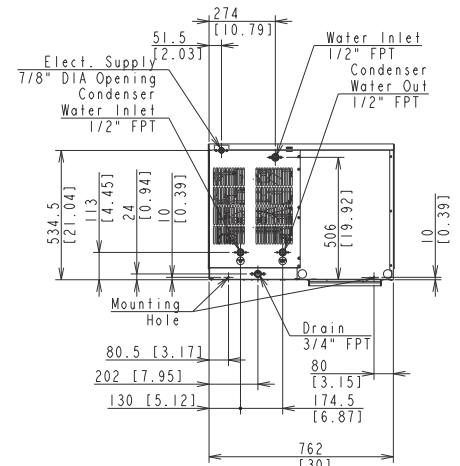
SIDE VIEW (Air-cooled)



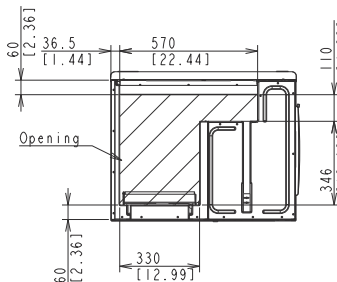
SIDE VIEW (Water-cooled)



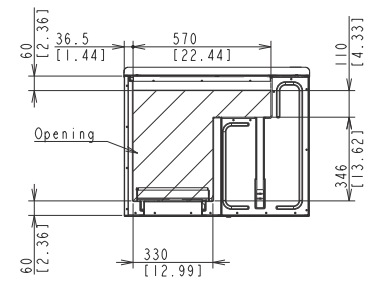
BACK VIEW (Air-cooled)



BACK VIEW (Water-cooled)



BOTTOM VIEW (Air-cooled)



BOTTOM VIEW (Water-cooled)

## ELECTRICAL & PLUMBING/KMD-450M\_H

- 115-120/60/1 (3 wire with neutral for 115V)
- 15 amp Max Fuse/HACR Breaker Size
- 3/8" OD copper or equivalent independent potable water supply
- 3/4" FPT independent drain connection



© HOSHIZAKI AMERICA, INC.

618 Hwy. 74 S., Peachtree City, GA 30269

## OPERATING LIMITS

- Ambient Temp Range 45 - 100°F
- Water Temp Range 45 - 90°F
- Water Pressure 10 - 113psig
- Voltage Range 104 - 127V

## SERVICE

- Panels easily removed and all components accessible for service.
- Removable/cleanable air filters. (Air-Cooled model only)

TEL 1-800-438-6087

FAX 1-800-345-1325

www.hoshizaki.com

Printed in U.S.A.

