



KMD-530M_H

MODULAR CRESCENT CUBER



KMD-530M_H
1/28/16
Item # 13350

W x D x H
30" x 24^{1/4}" x 22^{1/8}"

KMD-530MAH ★
Air-Cooled
Shown on optional
Lancer 30" Dispenser

KMD-530MWH
Water-Cooled

KMD-530MRH
Remote Air-Cooled



Item #: _____
Project: _____
Qty: _____
AIA#: _____

Features

- ▶ Individual crescent cube
- ▶ Stainless steel evaporator
- ▶ CycleSaver™ design

- Up to 560 lbs. of ice production per 24 hours
- Ice on beverage design
- Durable stainless steel exterior
- Protected by H-Guard Plus Antimicrobial Agent
- EverCheck™ alert system
- Removable air filters (Air-cooled model only)
- Front air inlet panels available for side-by-side application (used with HS-5065)
- R-404A Refrigerant

Available on Bins:

B-250PF B-500PF/SF B-700PF/SF B-900PF/SF B-1300SS
BD-300PF/SF BD-500PF/SF B-800PF/SF B-1150SS

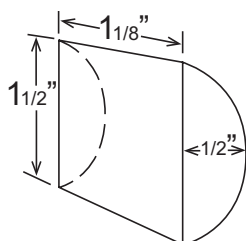
Top kit may be required. See Bin Spec Sheets.

Warranty:

3 Year Parts & Labor on entire machine. 5 Year Parts & Labor on Evaporator. 5 Year Parts on Compressor; air-cooled condenser coil. Valid in United States, Canada, Puerto Rico and U.S. Territories. Contact factory for warranty in other countries.

Condenser	Model	ICE PRODUCTION				WATER USAGE			ELECTRICAL			Heat Rejection BTU/hr.	Shipping Weight	ENERGY STAR®	
		Air / Water Temp Lbs. per 24 hours		Per Cycle		Potable Gal. per 100 lbs.	Condenser Gal. per 100 lbs.	kWh Used per 100 lbs.	Max. Fuse Size or HACR Circuit Breaker	Amperage	Voltage				
		70°/ 50°F	90°/ 70°F	Lbs.	Cubes	90°/ 70°F	90°/ 70°F	90°/ 70°F							
Air-Cooled	KMD-530MAH	553	462	9.3	432	17.1	N/A	5.7	20A	12A	115/60/1	6,800	170 lbs.	★	
Water-Cooled	KMD-530MWH	540	520	10	432	20.9	102	4.4	20A	10.5A	115/60/1	7,080	170 lbs.		
Remote Air-Cooled	KMD-530MRH	560	488	9.6	432	16.5	N/A	5.8	20A	12A	115/60/1	7,800	170 lbs.		

KM Cube Dimensions*



* approximate size in inches, image not to scale

Operating Limits

- Ambient Temp Range 45 - 100°F
- Water Temp Range 45 - 90°F
- Water Pressure 10 - 113 PSIG
- Voltage Range 104 - 127V

Service

- Panels easily removed and all components accessible for service.
- Allow 6" (15 cm) clearance at rear, sides, and top for proper air circulation and ease of maintenance/service.

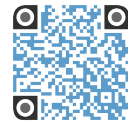
Plumbing

- Icemaker Water Supply Line: Minimum 1/4" Nominal ID Copper Water Tubing or Equivalent
- Icemaker Drain Line: Minimum 3/4" Nominal ID Hard Pipe or Equivalent
- Water-Cooled Model (Lines Must Be Independent of Icemaker)
- Condenser Water Supply Line: Minimum 1/4" Nominal ID Copper Water Tubing or Equivalent
- Condenser Drain/Return Line: Minimum 1/4" Nominal ID Hard Pipe (open drain system) or Copper Water Tubing (closed loop system) or Equivalent



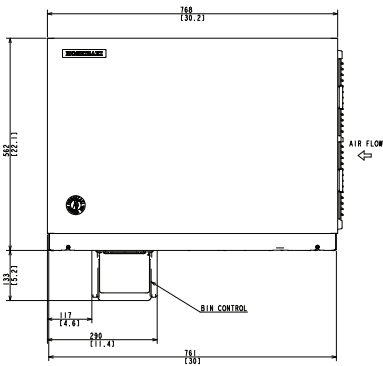
KMD-530M_H

MODULAR CRESCENT CUBER

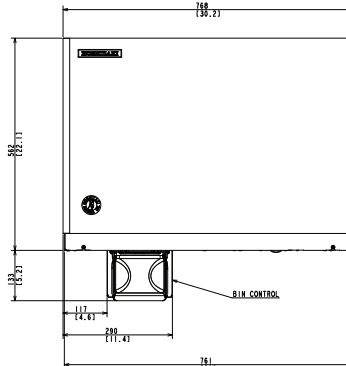


KMD-530M_H
1/28/16
Item # 13350

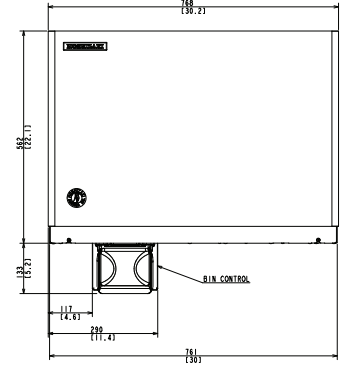
FRONT VIEW



AIR-COOLED

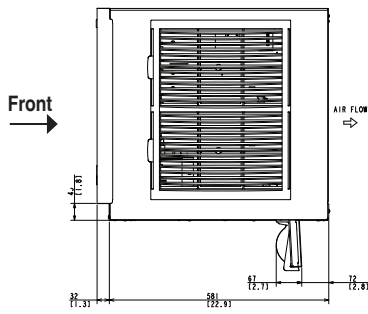


WATER-COOLED

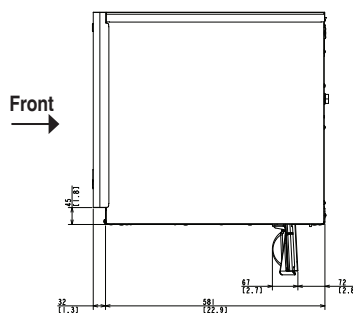


REMOTE AIR-COOLED

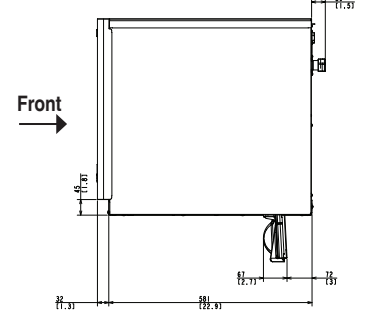
SIDE VIEW



AIR-COOLED

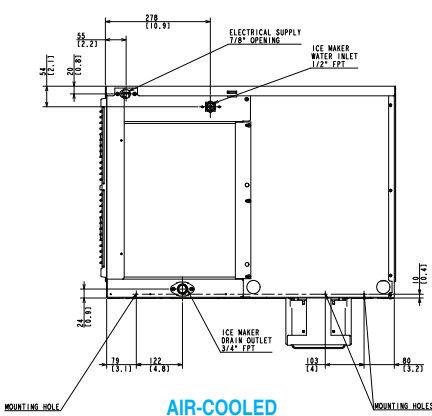


WATER-COOLED

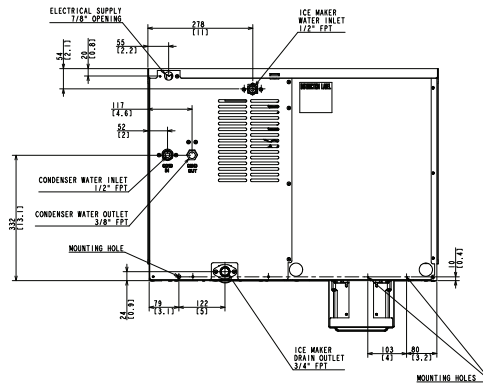


REMOTE AIR-COOLED

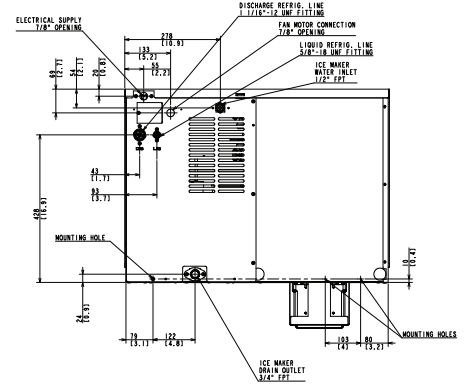
REAR VIEW



AIR-COOLED

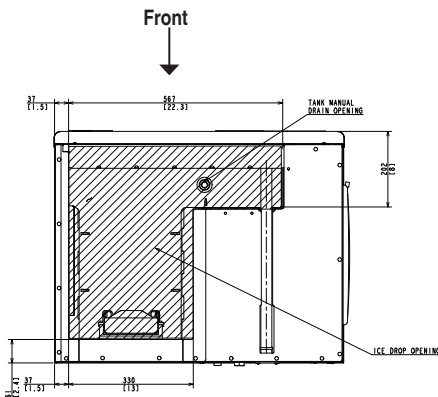


WATER-COOLED

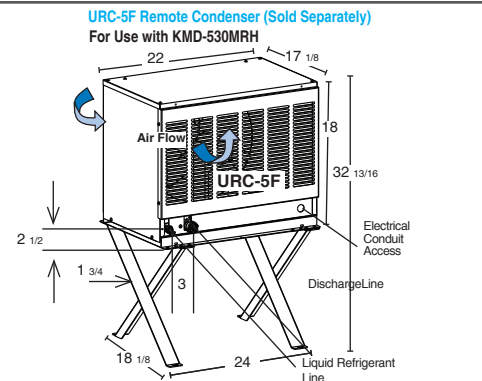


REMOTE AIR-COOLED

BOTTOM VIEW



AIR-COOLED



URC-5F Remote Condenser (Sold Separately)
For Use with KMD-530MRH

Voltage supply for the URC Remote Condenser is supplied from the Ice Maker. No additional circuit is required.

Pre-Charged Tubing Kits

(Sold Separately)
20' R404-2046-2
35' R404-3546-2

