

# SD SERIES MACHINE STANDS

Item # \_\_\_\_\_

Project: \_\_\_\_\_

Qty: \_\_\_\_\_

\*AutoCad available on KCL

SD SERIES

12/06

Item # 13025

## DIMENSIONS W x D x H

**SD-200**  
30 x 28 x 32<sup>13/16"</sup>

**SD-270**  
16<sup>1/2</sup> x 24 x 35<sup>3/16"</sup>

**SD-450**  
26<sup>1/4</sup> x 22 x 32<sup>1/2"</sup>

**SD-500**  
25<sup>7/8</sup> x 22 x 32<sup>3/4"</sup>

**SD-700**  
34<sup>1/4</sup> x 28<sup>1/4</sup> x 32<sup>1/2"</sup>

**SD-750**  
34 x 28 x 32<sup>3/4"</sup>

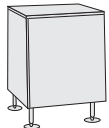
\*with 6" adj. legs



SD-200  
Stand



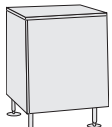
SD-270  
Stand



SD-450  
Stand



SD-500  
Stand



SD-700  
Stand



SD-750  
Stand



**SD-200 Stand**

Shown  
with a DM-200B



**SD-270 Stand**

Shown  
with a DCM-270BAH-OS



**SD-450 Stand**

Shown  
with a DCM-500BWF



**SD-500 Stand**

Shown  
with a DCM-500BAH-OS



**SD-700 Stand**

Shown  
with a DCM-700BAF



**SD-750 Stand**

Shown  
with a DCM-750BAH-OS

- Heavy duty stands for floor model icemakers/dispensers
- Corrosion resistant stainless steel exterior
- Easy cleaning with attractive appearance
- Locking doors standard on SD-200, SD-270, SD-500 and SD-750



### Warranty

Valid in United States, Canada, Puerto Rico, & U.S. Territories. Contact factory for warranty in other countries.

**Two Year - Parts & Labor.**



# SD SERIES MACHINE STANDS

## DIMENSIONS W x D x H

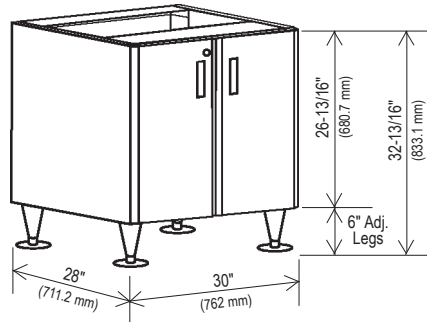
<b>SD-200</b> 30 x 32 x 32 <sup>13/16"</sup>	<b>SD-500</b> 25 <sup>7/8</sup> x 22 x 32 <sup>3/4"</sup>
<b>SD-270</b> 16 <sup>1/2</sup> x 24 x 35 <sup>3/16"</sup>	<b>SD-700</b> 34 <sup>1/4</sup> x 28 <sup>1/4</sup> x 32 <sup>1/2"</sup>
<b>SD-450</b> 26 <sup>1/4</sup> x 22 x 32 <sup>1/2"</sup>	<b>SD-750</b> 34 x 28 x 32 <sup>3/4"</sup>

\*with 6" adj. legs

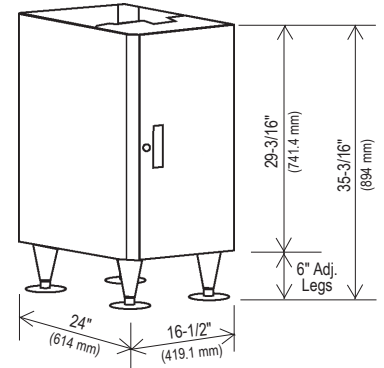
- Stand
- Stand with locking doors (SD-200, SD-270, SD-500, SD-750)

## SPECIFICATIONS

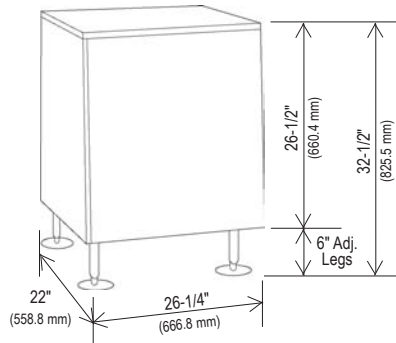
Model Number	Use with Cubelet Icemaker/Dispenser	Shipping Weight
SD-200	DM-200B	125 lbs.
SD-270	DCM-270BAH, DCM-270BAH-OS	95 lbs.
SD-450	DCM-500B_F, DCM-500B_H-OS	110 lbs.
SD-500	DCM-500B_F, DCM-500B_H-OS	100 lbs.
SD-700	DCM-750B_F, DCM-750B_H-OS	165 lbs.
SD-750	DCM-750B_F, DCM-750B_H-OS	125 lbs.



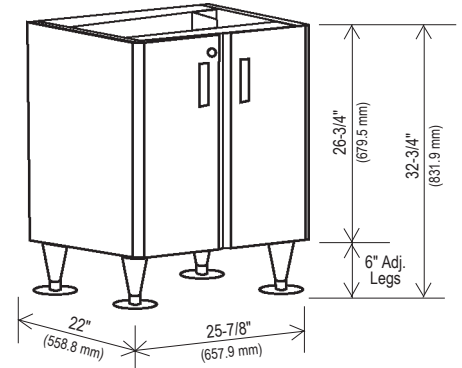
SD-200



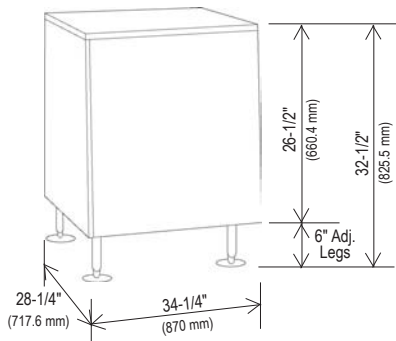
SD-270



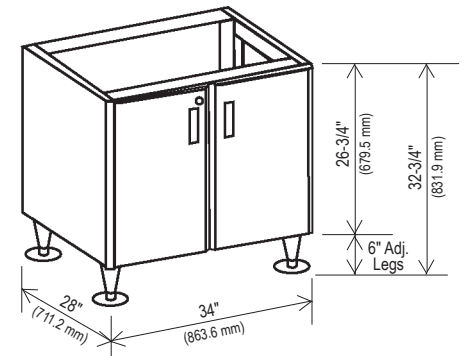
SD-450



SD-500



SD-700



SD-750



© HOSHIZAKI AMERICA, INC.

618 Hwy. 74 S., Peachtree City, GA 30269

TEL 1-800-438-6087

FAX 1-800-345-1325

www.hoshizaki.com

Printed in U.S.A.

