

URC-F SRC-H/SRK(-H/-J) REMOTE CONDENSER SERIES

Item # _____

Project: _____

Qty: _____
*AutoCad available on KCL

URC-F/SRC-H/SRK-H

3/13

Item # 13084

Shipping
Weight

Line Sets - PRE-CHARGED
20' Length 35' Length 55' Length

Ice Machines

	Ice Machines	Shipping Weight	20' Length	35' Length	55' Length
URC-5F	KM-515MRH, KM-650MRH FD-1001MRH-C, F-1001MRH(-C)	60 Lbs.	R404-2046-2	R404-3546-2	N/A
URC-9F	KML-631MRH, KMD-850MRH, KM-901MRH(3) KM-901MRH50, KMD-901MRH	95 Lbs.	R404-2068-2	R404-3568-2	R404-5568-2
SRC-10H	FS-1001MLH-C, FS-1022MLH-C	180 Lbs.	R404-20410	R404-35410	R404-55410
SRC-14H	FS-1500MLH-C	235 Lbs.	R404-20610	R404-35610	R404-55610
SRK-14J SRK-14J3	KMS-1401MLJ	275 Lbs.	R404-20810	R404-35810	R404-55810
URC-14F	KM-1301SRH(3), KM-1340MRH, F-1500MRH(-C)	110 Lbs.	R404-2068-2	R404-3568-2	R404-5568-2
URC-22F	KM-1601MRH(3), KM-1601SRH(3), KM-1900SRH(3) KM-2100SRH3, KMH-2000SRH(3), F-2000MRH(3)(-C)	165 Lbs.	R404-20610	R404-35610	R404-55610
URC-23F	KM-2500SRH3	273 Lbs.	R404-20610	R404-35610	R404-55610

Line Sets - BRAZING REQUIRED
25' Length 35' Length 55' Length

			25' Length	35' Length	55' Length
SRK-8H SRK-8H3	KMS-830MLH	206 Lbs.	HS-0250*	HS-0251*	HS-0252*
SRK-10H	KMS-822MLH	273 Lbs.	HS-0250*	HS-0251*	HS-0252*
SRK-20H SRK-20H3	KMS-2000MLH	325 Lbs.	HS-0243*	HS-0244*	HS-0245*

* Line sets require Refrigerant



URC-5F



SRK-14J

- Remote condensers for KM Series Cubers and F Series Flakers / Cubelets
- Quiet operation
- Improved efficiency; Energy savings
- Weather resistant cabinet for longer life
- May be installed outdoors up to 55 feet from icemaker using a pre-charged tubing kit
- For installations exceeding 55 feet, contact Factory Service Department



Warranty

Valid in United States, Canada, Puerto Rico, & U.S. Territories. Contact factory for warranty in other countries.

When used with KM Series Cubers:

Three Year - Parts & Labor on entire unit.

Five Year - Parts on: air-cooled condenser coil.

When used with F Series Flakers:

Three Year - Parts & Labor on entire unit.

Five Year - Parts on: air-cooled condenser coil.



Hoshizaki

URC-F/SRC-H/SRK(-H/-J) REMOTE CONDENSER SERIES AIR-COOLED

ELECTRICAL & OPERATING LIMITS

URC-5F / URC-9F / URC-14F
URC-22F / URC-23F

- 115V/60/1 (Connection to icemaker)
- Ambient Temp Range -22 - 122°F
- Voltage Range 104 - 127V

ELECTRICAL & OPERATING LIMITS

SRK-8H(3) / SRK-10H
SRK-14J(3) / SRK-20H(3)

- 208-230V/60/1 (Connection to icemaker)
- 208-230V/60/3 (Connection to icemaker)
- Ambient Temp Range -22 - 122°F
- Voltage Range 187 - 253V

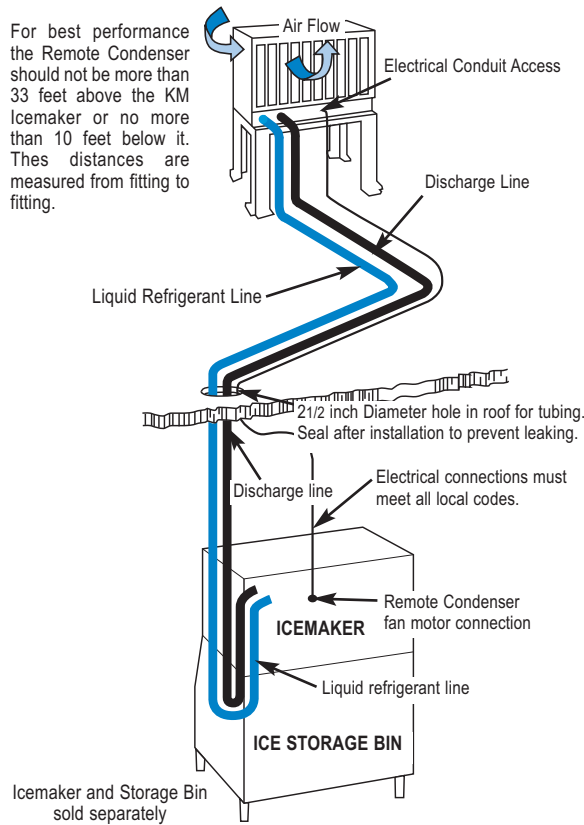
SRC-10H / SRC-14H

- 208-230V/60/1 (Connection to icemaker)
- Ambient Temp Range -4 - 122°F
- Voltage Range 187 - 253V

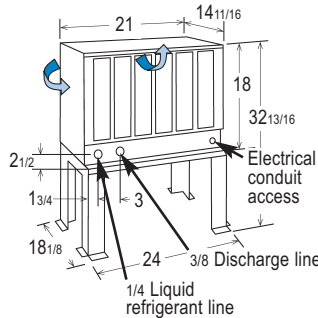
REMOTE CONDENSER INSTALLATION ON ROOF

For best performance allow 24 inch clearance for air circulation

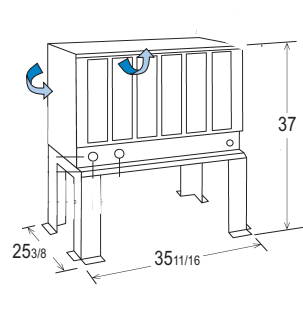
For best performance the Remote Condenser should not be more than 33 feet above the KM Icemaker or no more than 10 feet below it. These distances are measured from fitting to fitting.



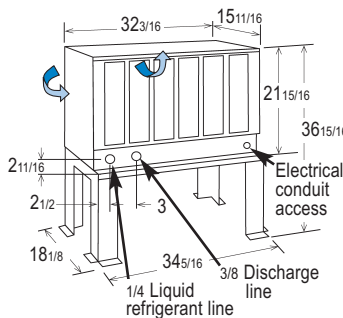
Tubing Kits
(Sold Separately)
Refer to SPECIFICATIONS table to determine appropriate Tubing Kit Number for Remote Condenser Unit specified.



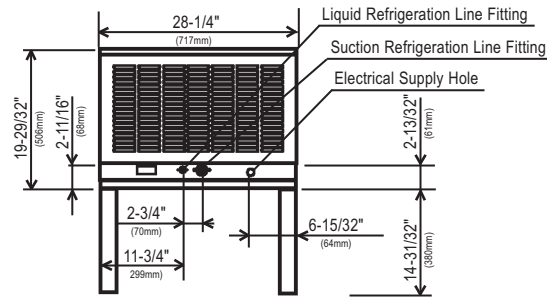
URC-5F
24 x 18 1/8 x 32 13/16
W x D x H



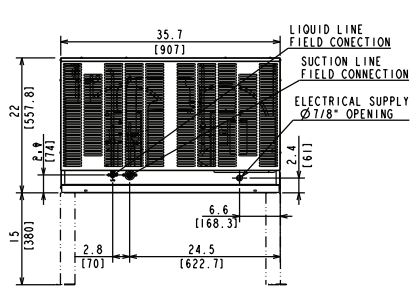
SRK-8H(3)
35 11/16 x 25 3/8 x 37
W x D x H



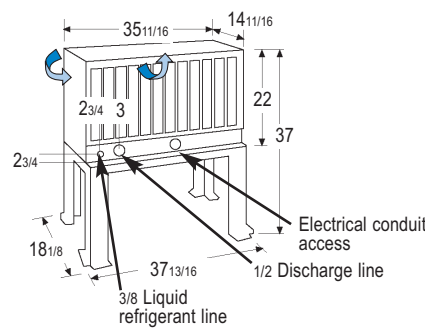
URC-9F
34 5/16 x 18 1/8 x 36 15/16
W x D x H



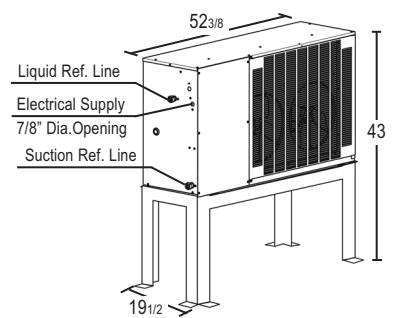
SRC-10H
30 1/4 x 25 3/8 x 34 7/8
W x D x H



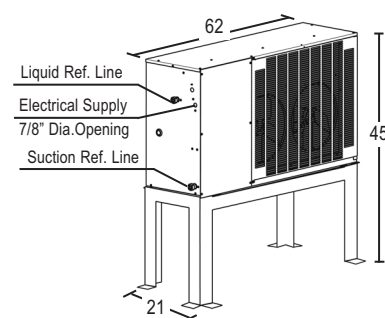
SRC-14H
37 7/8 x 25 1/2 x 37
W x D x H



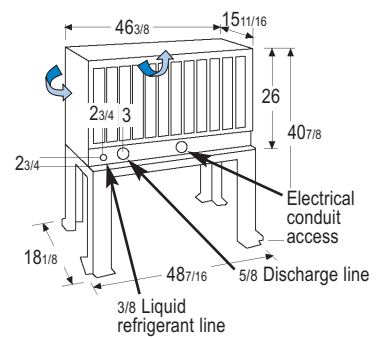
URC-14F
37 13/16 x 18 1/8 x 37
W x D x H



SRK-10H / SRK-14J(3)
52 3/8 x 19 1/2 x 43
W x D x H



SRK-20H(3)
62 x 21 x 45
W x D x H



URC-22F / URC-23F
48 7/16 x 18 1/8 x 40 7/8
W x D x H

