

## Open Merchandisers - Ovation Series Endless Design 72"H - Dairy

• PRODUCT SPECIFICATIONS SHEETS



- Cases are designed to operate at 75 degrees Fahrenheit and 55% relative humidity

### Self-Contained Remote

|                          | SC-OD30E-3-LS<br>R-OD30E-3-LS | SC-OD30E-4-LS<br>R-OD30E-4-LS | SC-OD30E-6-LS<br>R-OD30E-6-LS | SC-OD30E-8-LS<br>R-OD30E-8-LS |
|--------------------------|-------------------------------|-------------------------------|-------------------------------|-------------------------------|
| Length with ends         | 39"                           | 51"                           | 75"                           | 99"                           |
| Length without ends      | 36"                           | 48"                           | 72"                           | 96"                           |
| Height with ends         | 72"                           | 72"                           | 72"                           | 72"                           |
| Depth with ends          | 30"                           | 30"                           | 30"                           | 30"                           |
| (Dimensions are +/-1/4") |                               |                               |                               |                               |

- Specification subject to change without notice

## Open Merchandisers - Ovation Series Endless Design 72"H - Dairy

### Standard Specifications and Optional Features

|   |  |
|---|--|
| <p><b>CONSTRUCTION</b><br/>Foamed in place CFC free foam<br/>Heavy gauge steel super structure<br/>Multi deck<br/>Endless design allows for continuous line up</p>  | <p><b>FINISHES</b><br/>Designer white or black end panels<br/>Designer white or black front bumper<br/>Designer white or black end trim<br/>Designer white or black rear</p>   |
| <p><b>INTERIOR</b><br/>Designer white or black end panels<br/>Removable designer white or black floor pans<br/>Designer white or black perforated rear wall (<i>for even air distribution</i>)<br/>Full length lighting at top of unit<br/>1 level of 12" lighted shelving<br/>2 levels of 14" lighted shelving<br/>4 levels of product display<br/>Stylish tag molding on each shelf</p> | <p><b>REFRIGERATION</b><br/>R404A expansion valve system<br/>Low velocity fans located below deck area (<i>to insure even flow of air</i>)<br/>Pressure control maintains constant temperatures<br/>Automatic defrost controlled by time clock (<i>self contained units only</i>)<br/>Air screen technology<br/>Self contained system<br/>Copeland hermetic unit<br/>Remotes available</p> |
| <p><b>EXTERIOR</b><br/>Designer white or black ends and front<br/>Designer white or black bumper<br/>Designer white or black end trim<br/>Removable front grille for cleaning and servicing<br/>Plexiglas on end panel</p>  | <p><b>LIGHTING</b><br/>1 row at inside top of unit<br/>3 rows of lighted shelves</p>   |
| <p><b>ELECTRICAL REQUIREMENTS</b><br/>Unit must be hard wired<br/>UL/CUL listed<br/>See Tech page for details on voltage</p>  | <p><b><i>Important Note: All refrigerated cases are designed to operate in an environment of 75 degrees and 55% relative humidity.</i></b></p> <p><b><i>Important Note: Product must be cooled before being displayed within the case.</i></b></p> <p><b><i>Important Note: DRAIN IS REQUIRED</i></b></p>  |

### OPTIONAL FEATURES

|   |   |
|---|---|
| <p>Night covers<br/>Peg bars<br/>Condensate pan (4' case only)<br/>Insulated divider for line ups<br/>Electronic control system</p> | <p>Stainless steel, laminate or paint<br/>Product stops on shelving<br/>Security cover<br/>Plexiglas divider for line ups<br/>Digital thermometer</p> |
|---|---|

(ALL WHITE OR ALL BLACK, NO EXTRA CHARGE—IF COLORS ARE MIXED AN ADDITIONAL CHARGE WILL APPLY)

## Open Merchandisers - Ovation Series Endless Design 72"H - Dairy

### Technical Data

| Model  | Self contained   | SC-OD30E-3-LS  | SC-OD30E-4-LS  | SC-OD30E-6-LS  | SC-OD30E-8-LS   |
|--|--|--|--|--|---|
|  | Remote   | R-OD30E-3-LS   | R-OD30E-4-LS   | R-OD30E-6-LS   | R-OD30E-8-LS  |
| Length with ends<br>Length without ends<br>Height with ends<br>Depth with ends<br>(Dimensions are +/- 1/4")  |  | 39"<br>36"<br>72"<br>30"   | 51"<br>48"<br>72"<br>30"   | 75"<br>72"<br>72"<br>30"   | 99"<br>96"<br>72"<br>30"  |
| Operating temperature<br>Refrigerant (expansion valve)<br>Compressor size- HP<br>Pressure control settings<br>@ 75°F, 55%RH<br>Defrost per day (24 hours)<br>BTU's at +20°F Evap. Temp.<br>Voltage<br>Amperage<br>Amperage, lights & fans<br>Cord and plug | Self contained<br>Self contained<br><br>CUT IN<br>CUT OUT<br>Air Defrost<br>Remote<br>Self contained<br>Remote | 36°F to 40°F<br>R404A<br>1/2<br><br>87<br>43<br>3 @ 30 min.<br>3900<br>115V<br>12.0A<br>1.4A<br>No | 36°F to 40°F<br>R404A<br>1/2<br><br>87<br>43<br>3 @ 30 min.<br>5200<br>115V<br>13.7A<br>2.2A<br>No | 36°F to 40°F<br>R404A<br>3/4<br><br>87<br>43<br>3 @ 30 min.<br>7800<br>115/208-230V<br>13.1A<br>2.8A<br>No | 36°F to 40°F<br>R404A<br>1<br><br>87<br>43<br>3 @ 30 min.<br>10400<br>115/208-230V<br>14.3A<br>4.3A<br>No |
| Exterior color<br>Interior color<br>Inside end panels<br>Floors  |  | White or Black<br>White or Black<br>White or Black<br>White or Black                               | White or Black<br>White or Black<br>White or Black<br>White or Black                               | White or Black<br>White or Black<br>White or Black<br>White or Black                                       | White or Black<br>White or Black<br>White or Black<br>White or Black                                      |

(ALL WHITE OR ALL BLACK, NO EXTRA CHARGE—IF COLORS ARE MIXED AN ADDITIONAL CHARGE WILL APPLY)

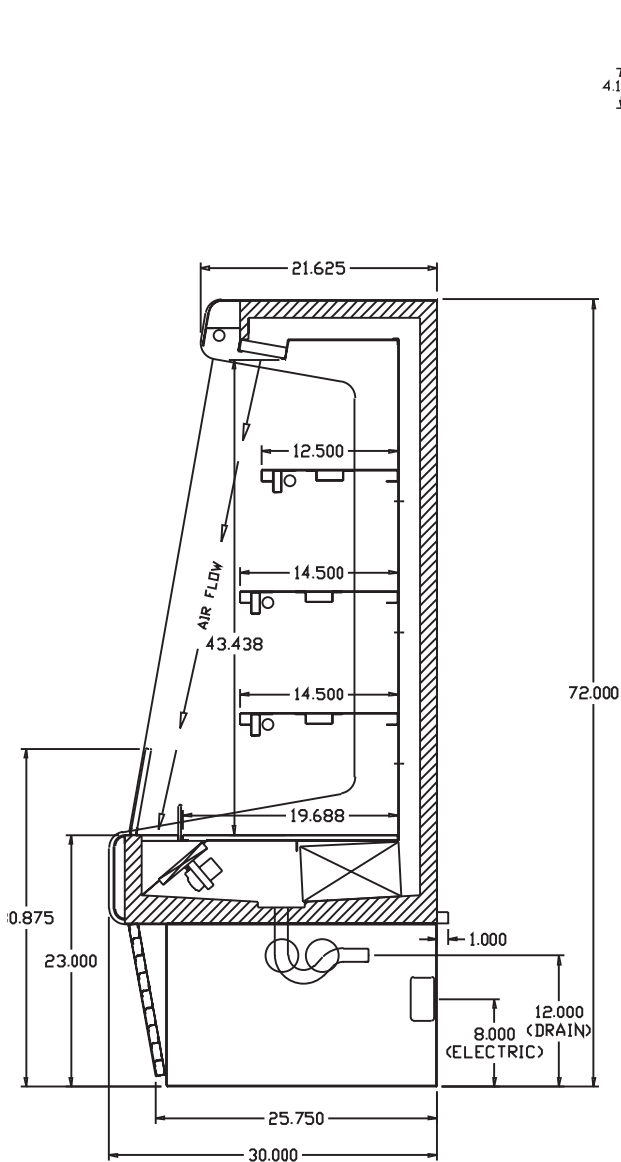
### SHIPPING INFORMATION

|              |                |                    |                    |                    |                    |
|--------------|----------------|--------------------|--------------------|--------------------|--------------------|
| Height       |                | 76"                | 76"                | 76"                | 76"                |
| Depth        |                | 44"                | 44"                | 44"                | 44"                |
| Length       |                | 61"                | 61"                | 87"                | 109"               |
| Gross weight | Self contained | 535#               | 615#               | 860#               | 1085#              |
|              | Remote         | 410#               | 490#               | 710#               | 910#               |
| Cubic feet   |                | 115ft <sup>3</sup> | 115ft <sup>3</sup> | 166ft <sup>3</sup> | 206ft <sup>3</sup> |

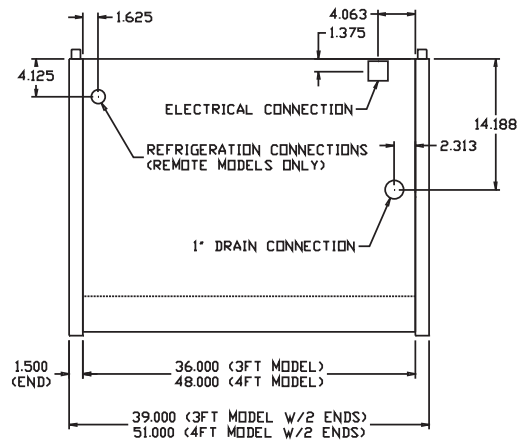
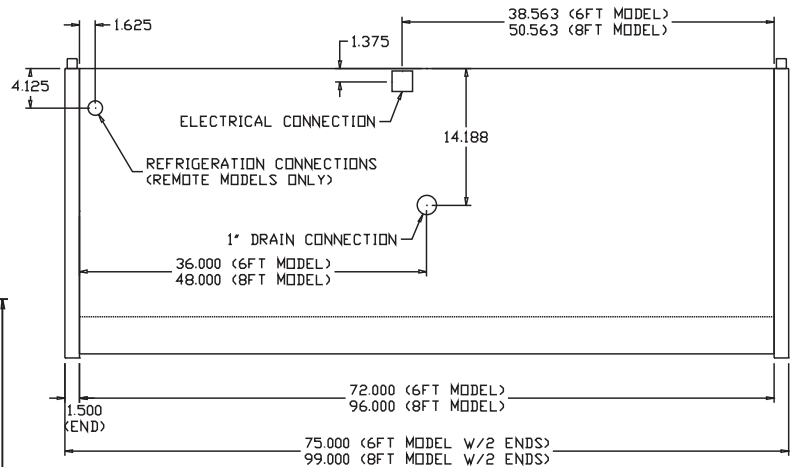
- Cases are designed to operate at 75 degrees Fahrenheit and 55% relative humidity
- Cases are equipped with drains; check your local building codes for connection requirements.
- Specification subject to change without notice

## Open Merchandisers - Ovation Series Endless Design 72"H - Dairy

### Technical Data • Side View • Plan View



Cross Section



Plan View