

### Product Specifications Sheets



| Model No.             | Description    | Length | Depth | Height | Voltage     | Amps | HP/BTUs | Power Cord | Est. Ship Weight |
|-----------------------|----------------|--------|-------|--------|-------------|------|---------|------------|------------------|
| <b>SC-OD35E-3L-LS</b> | Self Contained | 39"    | 34.5" | 60"    | 115         | 13.4 | 1/2     | 5-20P      | 655              |
| <b>SC-OD35E-4L-LS</b> | Self Contained | 51"    | 34.5" | 60"    | 115         | 13.4 | 1/2     | 5-20P      | 685              |
| <b>SC-OD35E-6L-LS</b> | Self Contained | 75"    | 34.5" | 60"    | 115/208-230 | 13.1 | 3/4     | L14-20P    | 850              |
| <b>R-OD35E-3L-LS</b>  | Remote         | 39"    | 34.5" | 60"    | 115         | 1.4  | 3550    | No         | 520              |
| <b>R-OD35E-4L-LS</b>  | Remote         | 51"    | 34.5" | 60"    | 115         | 2.2  | 5200    | No         | 550              |
| <b>R-OD35E-6L-LS</b>  | Remote         | 75"    | 34.5" | 60"    | 115         | 2.8  | 7800    | No         | 710              |

MODEL NUMBER SUFFIX - B = Black S = Stainless Steel

- Cases are designed to operate at 75 degrees Fahrenheit and 55% relative humidity
- Specification subject to change without notice



**Standard Specifications and Optional Features**

**CONSTRUCTION**

- UL Classified to ANSI/NSF 7
- Foamed in place CFC free foam
- Heavy gauge steel super structure
- Multi deck
- Endless design allows for continuous line up

**INTERIOR**

- White, black, or stainless steel end panels
- Removable white, black, or stainless steel floor pans
- White, black, or stainless steel perforated rear wall (for even air distribution)
- Full length lighting at top of unit
- 2 levels of shelving
- 3 levels of product display
- Full length mirror to enhance product display
- Stylish price tag molding on each shelf

**EXTERIOR**

- White, black, or stainless steel ends and front
- Removeable front grill allows for cleaning and servicing
- 1" bumper
- Choice of end panels

**FINISHES**

- White, black, or stainless steel end panels
- White, black, or stainless steel front rail
- White, black, or stainless steel end trim
- Laminate, and custom paints available
- Coated galvanized rear

**LIGHTING**

- 1 row at inside top of unit
- 2 rows of lighted shelving

**ELECTRICAL REQUIREMENTS**

- Cord and Plug
- 3' - 4' 115V, 5-20P,
- 6' 115/208/230, L14-20P
- See Tech page for details on voltage

**REFRIGERATION**

- R404A expansion valve system
- Low velocity fans located below deck area (to insure even flow of air)
- Electronic Control System with automatic air defrost to Maintain Balanced Temperatures
- New high efficiency air screen technology
- Self contained system
- Copeland hermetic unit
- Remotes available

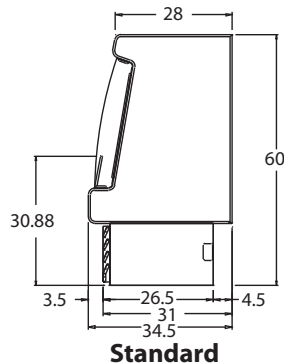
**OPTIONAL FEATURES**

- LED lights
- Night covers
- Peg bars
- Step shelves
- Electric condensate pan, with separate plug
- Insulated divider for line ups
- Plexiglas divider for line ups
- Colored bumper
- Stainless steel, laminated or paint
- Product stops on shelving
- Security cover
- 3 Different end panel choices
- Digital thermometer

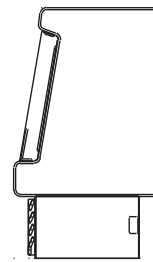
**Important Note:**

**All refrigerated cases are designed to operate in an environment of 75 degrees and 55% relative humidity. Product must be cooled before being displayed within the case.**

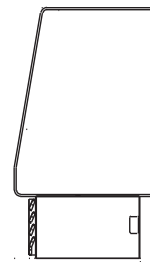
**DRAIN IS REQUIRED**



**Standard**



**35E 60in-4Plx**



**35E 60in-Solid**



**Technical Data**

| Model No.                        | SC<br>R     | SC-OD35E-3L-LS or LED<br>R-OD35E-3L-LS or LED | SC-OD35E-4L-LS or LED<br>R-OD35E-4L-LS or LED | SC-OD35E-6L-LS or LED<br>R-OD35E-6L-LS or LED |
|----------------------------------|-------------|---|---|---|
| Length with (2) ends             |             | 39"   | 51"   | 75"   |
| Length without ends              |             | 36"   | 48"   | 72"   |
| Height with ends                 |             | 60"   | 60"   | 60"   |
| Height without ends              |             | 59.5"   | 59.5"   | 59.5"   |
| Depth with ends                  |             | 34.5"   | 34.5"   | 34.5"   |
| Depth without ends               |             | 34"   | 34"   | 34"   |
| Endless design                   |             | YES   | YES   | YES   |
| <i>(Dimensions are +/- 1/4")</i> |             |   |   |   |
| Operating temperature            |             | 36°F to 40°F                                  | 36°F to 40°F                                  | 36°F to 40°F                                  |
| Refrigerant (expansion valve)    | SC          | R404A   | R404A   | R404A   |
| Compressor size HP               | SC          | 1/2   | 1/2   | 3/4   |
| Defrost per day (24 hours)       | Air Defrost | 3 @ 30 min.                                   | 3 @ 30 min.                                   | 3 @ 30 min.                                   |
| BTU's at +20°F Evap. Temp.       | R           | 3550  | 5200  | 7800  |
| Voltage                          | SC          | 115   | 115   | 115/208230                                    |
| Amperage                         | SC          | 13.4  | 13.4  | 13.5  |
| Remote Voltage                   | R           | 115   | 115   | 115   |
| Amperage, lights only            | R           | 2   | 3   | 4   |
| Cord and plug                    | SC          | 5-20P   | 5-20P   | L14-20P                                       |
|                                  | R           | NO  | NO  | NO  |
| Exterior color                   |             | W, B, SS                                      | W, B, SS                                      | W, B, SS                                      |
| Interior color                   |             | W, B, SS                                      | W, B, SS                                      | W, B, SS                                      |
| # of rows / shelves              |             | 2/2   | 2/2   | 2/4   |
| Shelf Size                       |             | (1) 16" (1) 18"                               | (1) 16" (1) 18"                               | (2) 16" (2) 18"                               |
| <b>Shipping Info</b>             |             |   |   |   |
| Height                           |             | 65"   | 65"   | 65"   |
| Depth                            |             | 44"   | 44"   | 44"   |
| Length                           |             | 61"   | 61"   | 86"   |
| Gross weight (SC/R)              |             | 655/520                                       | 685/550                                       | 850/710                                       |
| Cubic feet                       |             | 100   | 100   | 142   |

**(ALL WHITE OR ALL BLACK, NO EXTRA CHARGE—IF COLORS ARE MIXED AN ADDITIONAL CHARGE WILL APPLY)**

**Prefix**

SC = Self Contained  
R = Remote

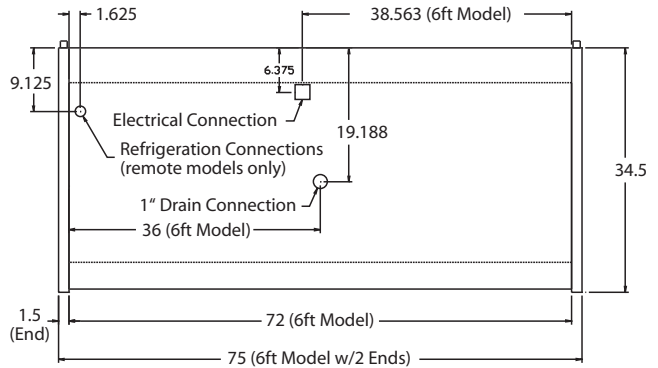
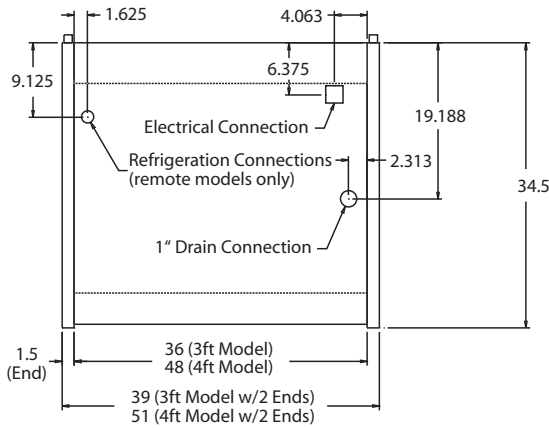
**Suffix**

B = Black  
S = Stainless Steel  
LS = T8 lighting  
LED = LED lighting

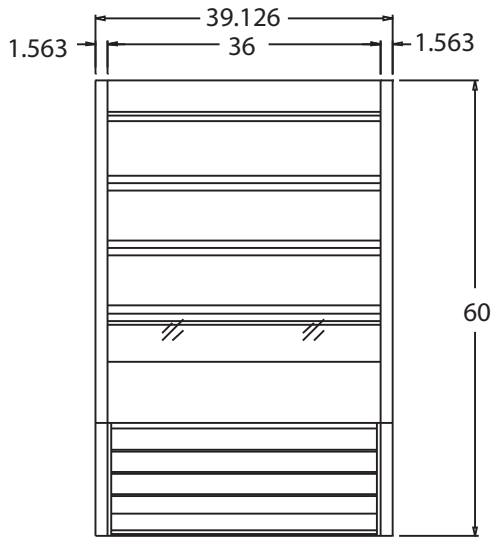
- Cases are designed to operate at 75 degrees Fahrenheit and 55% relative humidity
- Cases are equipped with drains; check your local building codes for connection requirements.
- Specification subject to change without notice



**Technical Data • Side View • Plan View**

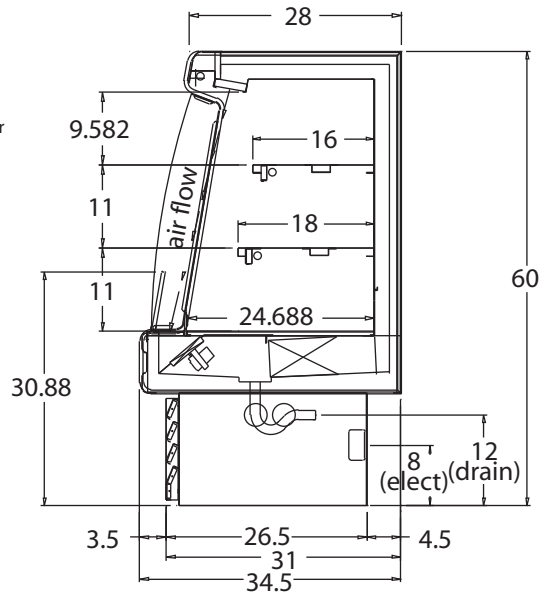


**FLOOR PLANS**



**FRONT VIEW  
3FT MODEL**

Cabinet overall Dims.  
Height: 60"  
Depth: 34.5" Body  
Length 3ft, 4ft, 6ft  
1-16" shelf  
1-18" shelf  
Removable rear spacer  
for air venting



**SIDE VIEW**

