

Open Merchandisers Multi Purpose - Endless Design

- PRODUCT SPECIFICATIONS SHEETS



- Cases are designed to operate at 75 degrees Fahrenheit and 55% relative humidity

Remote only

R-ODA32E-6

| | |
|--------------------------------|---------|
| Length with ends | 72" |
| Length without ends | 69-3/4" |
| Height with ends & supports | 80-7/8" |
| Height without ends & supports | 79-5/8" |
| Depth with ends & bumper | 31-7/8" |
| Depth without ends & bumper | 31-1/8" |
| (Dimensions are +/-1/4") | |

- Specification subject to change without notice

Standard Specifications and Optional Features

| | |
|---|---|
| <p>CONSTRUCTION Multi deck Foamed in place CFC free foam Heavy gauge steel super structure Endless design allows for continuous line up</p> | <p>FINISHES Designer white or black end panels Designer white or black front rail Designer white or black end trim Coated galvanized rear</p> |
| <p>INTERIOR Designer white or black end panels Designer white or black perforated rear wall (<i>for even air distribution</i>) Full length lighting at top of unit 5 levels of product display Stylish tag molding on each shelf</p> | <p>REFRIGERATION R404A expansion valve Low velocity fans located below deck area (<i>to insure even flow of air</i>) Air screen technology Remote only</p> |
| <p>EXTERIOR Designer white or black ends and front Designer white or black end trim</p> | <p>LIGHTING 1 row at inside top of unit</p> |
| <p>ELECTRICAL REQUIREMENTS Unit must be hard wired See technical page for voltage</p> | <p><i>Important Note: All refrigerated cases are designed to operate in an environment of 75 degrees and 55% relative humidity.</i></p> <p><i>Important Note: Product must be cooled before being displayed within the case.</i></p> <p><i>Important Note: Plumbing required</i></p> |

OPTIONAL FEATURES

| | |
|---|---|
| <p>Night covers Peg bars Insulated divider for line ups Lighted shelves</p> | <p>Stainless steel, laminate or paint Product stops on shelving Digital thermometer</p> |
|---|---|

(ALL WHITE OR ALL BLACK, NO EXTRA CHARGE—IF COLORS ARE MIXED AN ADDITIONAL CHARGE WILL APPLY)

Technical Data

| Model # | | R-ODA32E-6 | R-ODA32E-6-W |
|--|--------|--|--|
| Length with ends Length without ends Height with ends & supports Height without ends & supports Depth with ends & bumper Depth without ends & bumper (Dimensions are +/- 1/4") | | 72" 69-3/4" 80-7/8" 79-5/8" 31-7/8" 31-1/8" | 72" 69-3/4" 80-7/8" 79-5/8" 31-7/8" 31-1/8" |
| Operating temperature BTU's at +20°F Evap. Temp. Voltage Amperage Cord and plug | Remote | 36°F to 40°F 9750 115V 1.4A No | 36°F to 40°F 9750 115V 1.4A No |
| Exterior color Interior color Inside end panels Floors | | Black Black Black Black | White White White White |

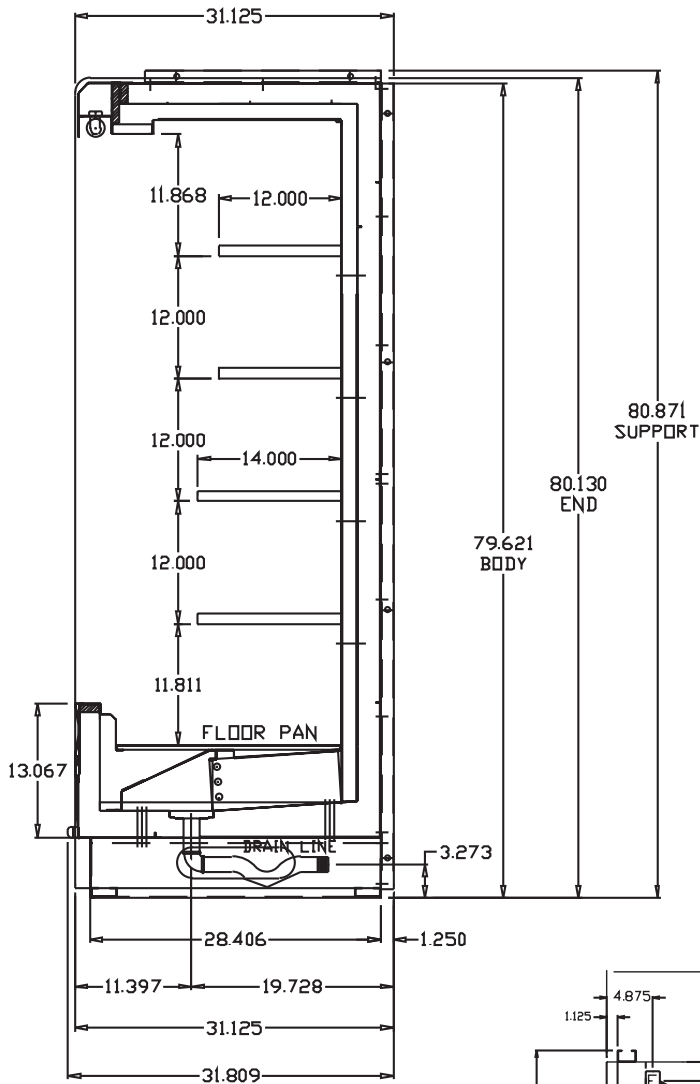
(ALL WHITE OR ALL BLACK, NO EXTRA CHARGE—IF COLORS ARE MIXED AN ADDITIONAL CHARGE WILL APPLY)

SHIPPING INFORMATION

| | | | |
|---|--------|---|---|
| Height Depth Length Gross weight Cubic feet | Remote | 84" 44" 87" 780# 184ft ³ | 84" 44" 87" 780# 184ft ³ |
|---|--------|---|---|

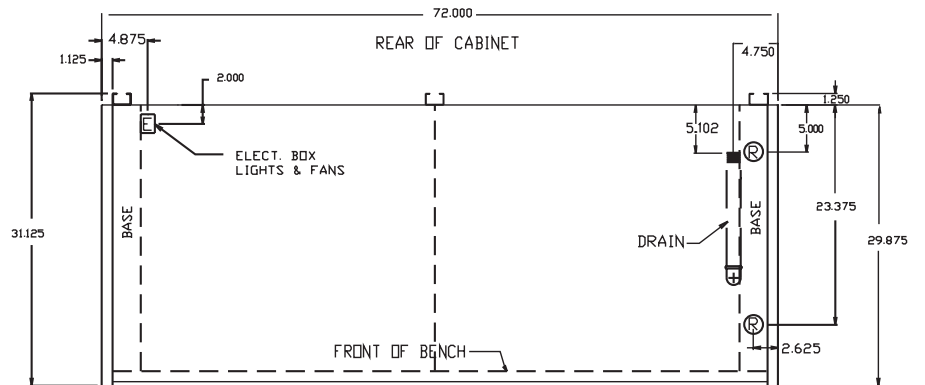
- Cases are designed to operate at 75 degrees Fahrenheit and 55% relative humidity
- Cases are equipped with drains; check your local building codes for connection requirements.
- Specification subject to change without notice

Technical Data • Side View • Plan View



Cross Section

E = ELECTRICAL JUNCTION BOX LOCATION
R = REFRIGERATION LINE OUTLET OPTIONS
- REFRIGERATION CONNECTIONS HAVE TO BE MADE INSIDE OF EVAPORATOR HOUSING.



Plan View