

Product Specifications Sheets



Shown in Dairy Model

Model No.	Description	Length	Depth	Height	Voltage	Amps	HP/BTUs	Power Cord	Est. Ship Weight
SC-OM35E-3L-LS	Self Contained	39"	34.5"	60"	115	12	1/2	5-15P	655
SC-OM35E-4L-LS	Self Contained	51"	34.5"	60"	115	13.7	1/2	L14-20P	685
SC-OM35E-6S-LS	Self Contained	75"	34.5"	60"	115/208-230	13.1	3/4	L14-20P	850
R-OM35E-3L-LS	Remote	39"	34.5"	60"	115	1.4	3550	No	520
R-OM35E-4L-LS	Remote	51"	34.5"	60"	115	2.2	5200	No	550
R-OM35E-6L-LS	Remote	75"	34.5"	60"	115	2.8	7800	No	710

MODEL NUMBER SUFFIX - B = Black W = White SS = Stainless Steel

- Cases are designed to operate at 75 degrees Fahrenheit and 55% relative humidity
- Specification subject to change without notice



Standard Specifications and Optional Features

CONSTRUCTION

- UL Classified to ANSI/NSF 7
- Foamed in place CFC free foam
- Heavy gauge steel super structure
- Multi deck
- Endless design allows for continuous line up

INTERIOR

- White, black, or stainless steel end panels
- Removable white, black, or stainless steel floor pans
- White, black, or stainless steel perforated rear wall (for even air distribution)
- Full length lighting at top of unit
- 2 levels of shelving
- 3 levels of product display
- Full length mirror to enhance product display
- Stylish price tag molding on each shelf
- 3" Product stop on each shelf

EXTERIOR

- White, black, or stainless steel ends and front
- Removeable front grill allows for cleaning and servicing
- 1" bumper
- Choice of end panels

FINISHES

- White, black, or stainless steel end panels
- White, black, or stainless steel front rail
- White, black, or stainless steel end trim
- Laminate, and custom paints available
- Coated galvanized rear

LIGHTING

- 1 row at inside top of unit
- 2 rows of lighted shelving

ELECTRICAL REQUIREMENTS

- Self contained unit comes with cord and plug
- UL/CUL listed
- See Tech page for details on voltage

REFRIGERATION

- R404A expansion valve system
- Low velocity fans located below deck area (to insure even flow of air)
- Electronic Control System with automatic air defrost to maintain balanced temperatures
- New high efficiency air screen technology
- Self contained system
- Copeland hermetic unit
- Remotes available

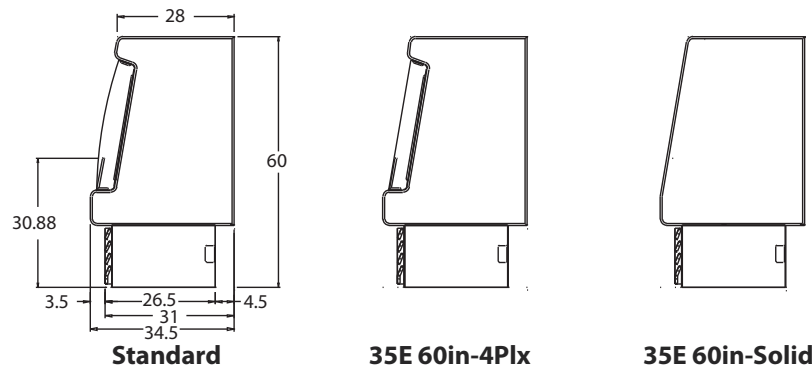
OPTIONAL FEATURES

- Solid state lighting
- Night covers
- Peg bars
- Security cover
- Step shelves
- Electric condensate pan, with separate plug
- Insulated divider for line ups
- Plexiglas divider for line ups
- Stainless steel, laminated or paint
- Product stops on shelving
- Colored bumper
- Choice of end panels
- Digital thermometer

Important Note:

All refrigerated cases are designed to operate in an environment of 75 degrees and 55% relative humidity. Product must be cooled before being displayed within the case.

DRAIN IS REQUIRED



Technical Data

Model No.	SC R	SC-OM35E-3L-LS or LED R-OM35E-3L-LS or LED	SC-OM35E-4L-LS or LED R-OM35E-4L-LS or LED	SC-OM35E-6L-LS or LED R-OM35E-6L-LS or LED
Length with (2) ends		39"	51"	75"
Length without ends		36"	48"	72"
Height with ends		60"	60"	60"
Height without ends		59.5"	59.5"	59.5"
Depth with ends		34.5"	34.5"	34.5"
Depth without ends		34"	34"	34"
Endless design		YES	YES	YES
<i>(Dimensions are +/- 1/4")</i>				
Operating temperature		34°F to 38°F	34°F to 38°F	34°F to 38°F
Refrigerant (expansion valve)	SC	R404A	R404A	R404A
Compressor size HP	SC	1/2	1/2	3/4
Defrost per day (24 hours)	Air Defrost	3 @ 30 min.	3 @ 30 min.	3 @ 30 min.
BTU's at +20°F Evap. Temp.	R	3550	5200	7800
Voltage	SC	115	115	115/208-230
Amperage	SC	12	13.7	13.1
Remote Voltage	R	115	115	115
Amperage, lights only	R	1.4	2.2	2.8
Cord and plug	SC	5-15P	5-15P	L14-20P
	R	NO	NO	NO
Exterior color		W, B, SS	W, B, SS	W, B, SS
Interior color		W, B, SS	W, B, SS	W, B, SS
# of rows / shelves		2/2	2/2	2/4
Shelf Size		(1) 16" (1) 18"	(1) 16" (1) 18"	(2) 16" (2) 18"
Shipping Info				
Height		65"	65"	65"
Depth		44"	44"	44"
Length		61"	61"	86"
Gross weight (SC/R)		655/520	685/550	850/710
Cubic feet		100	100	142

(ALL WHITE OR ALL BLACK, NO EXTRA CHARGE—IF COLORS ARE MIXED AN ADDITIONAL CHARGE WILL APPLY)

Prefix

SC = Self Contained
 R = Remote

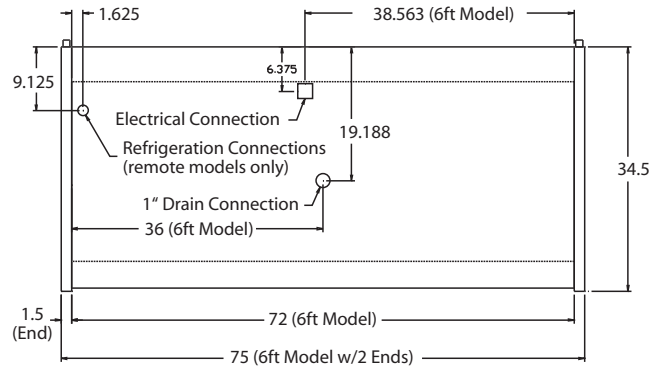
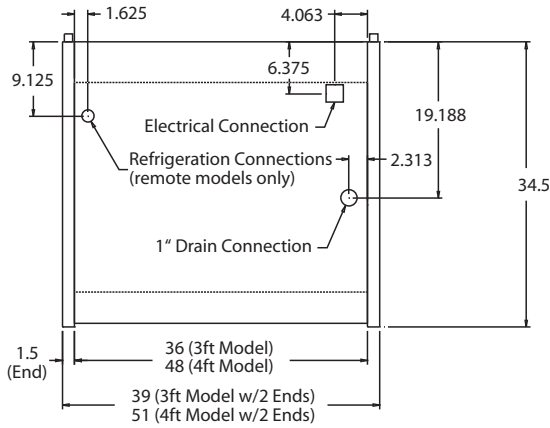
Suffix

B = Black
 S = Stainless Steel
 LS = T8 lighting
 LED = Solid state lighting

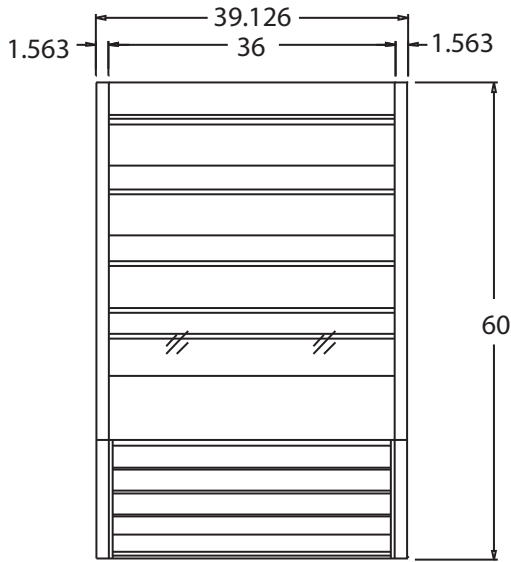
- Cases are designed to operate at 75 degrees Fahrenheit and 55% relative humidity
- Cases are equipped with drains; check your local building codes for connection requirements.
- Specification subject to change without notice



Technical Data • Side View • Plan View

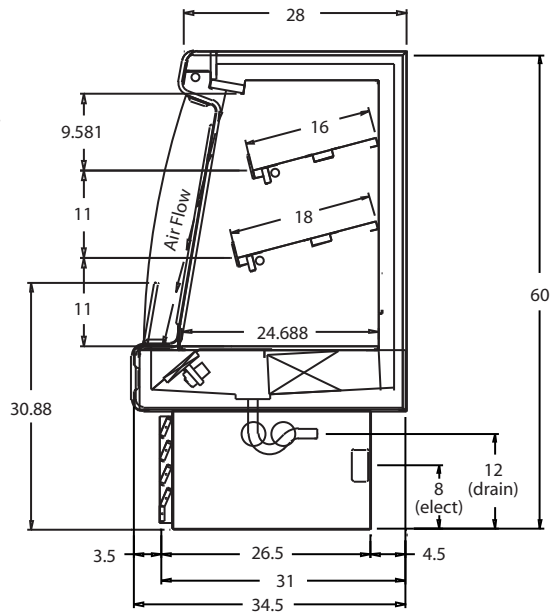


FLOOR PLANS



**FRONT VIEW
 3FT MODEL**

Cabinet overall Dims.
 Height: 60"
 Depth: 34.5" Body
 Length: 3ft, 4ft, 6ft
 1-16" shelf
 1-18" shelf
 Removable rear spacer
 for air venting



SIDE VIEW

