

Product Specifications Sheets



| Model No. | Description | Length | Depth | Height | Voltage | Amps | HP/BTUs | Power Cord | Est. Ship Weight |
|-----------------------|----------------|--------|-------|--------|-------------|------|---------|------------|------------------|
| SC-OM35E-3S-LS | Self Contained | 39" | 34.5" | 78.5" | 115 | 16 | 1/2 | 5-20P | 700 |
| SC-OM35E-4S-LS | Self Contained | 51" | 34.5" | 78.5" | 115/208-230 | 13 | 3/4 | L14-20P | 965 |
| SC-OM35E-6S-LS | Self Contained | 75" | 34.5" | 78.5" | 115/208-230 | 16 | 1 | L14-20P | 1175 |
| R-OM35E-3S-LS | Remote | 39" | 34.5" | 78.5" | 115 | 2 | 4750 | No | 575 |
| R-OM35E-4S-LS | Remote | 51" | 34.5" | 78.5" | 115 | 3 | 7080 | No | 790 |
| R-OM35E-6S-LS | Remote | 75" | 34.5" | 78.5" | 115 | 4 | 9400 | No | 1000 |
| R-OM35E-8S-LS | Remote | 99" | 34.5" | 78.5" | 115 | 6 | 13084 | No | 1580 |
| R-OM35E-10S-LS | Remote | 123" | 34.5" | 78.5" | 115 | 8.6 | 16355 | No | 1790 |
| R-OM35E-12S-LS | Remote | 147" | 34.5" | 78.5" | 115 | 11.2 | 19626 | No | 2000 |

MODEL NUMBER SUFFIX - B = Black W = White SS = Stainless Steel

- Cases are designed to operate at 75 degrees Fahrenheit and 55% relative humidity
- Specification subject to change without notice



A Division of HMC Enterprises LLC • 831 East Cayuga St • Philadelphia, PA 19124 USA

(215) 464-6800 • 1-800-344-8222 • Fax (215) 969-4890 • E-Mail: sales@howardmccray.com • www.howardmccray.com

Standard Specifications and Optional Features

CONSTRUCTION

- UL Classified to ANSI/NSF 7
- Foamed in place CFC free foam
- Heavy gauge steel super structure
- Multi deck
- Endless design allows for continuous line up

INTERIOR

- White, black, or stainless steel end panels
- Removable white, black, or stainless steel floor pans
- White, black, or stainless steel perforated rear wall (for even air distribution)
- Full length lighting at top of unit
- 4 levels of lighted shelving
- 5 levels of product display
- Stylish price tag molding on each shelf
- 3" Product stop on each shelf

EXTERIOR

- White, black, or stainless steel ends and front
- Removeable front grill allows for cleaning and servicing
- 1" bumper
- Choice of end panels

FINISHES

- White, black, or stainless steel end panels
- White, black, or stainless steel front rail
- White, black, or stainless steel end trim
- Laminate, and custom paints available
- Coated galvanized rear

LIGHTING

- 1 row at inside top of unit
- 4 rows of lighted shelving

ELECTRICAL REQUIREMENTS

- Self contained unit comes with cord and plug
- UL/CUL listed
- See Tech page for details on voltage

REFRIGERATION

- R404A expansion valve system
- Low velocity fans located below deck area (to insure even flow of air)
- Electronic Control System with automatic air defrost to maintain balanced temperatures
- New high efficiency air screen technology
- Self contained system
- Copeland hermetic unit
- Remotes available

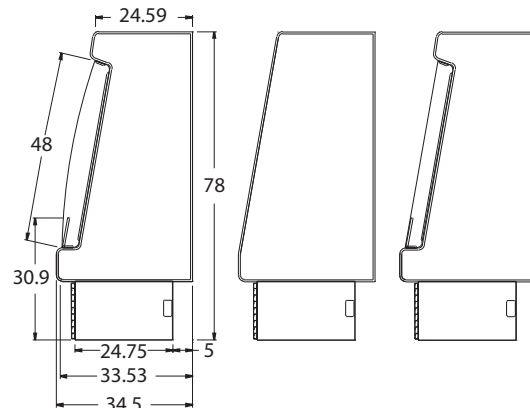
OPTIONAL FEATURES

- Solid state lighting
- Night covers
- Security cover
- Peg bars
- Electric condensate pan, with separate plug
- Insulated divider for line ups
- Plexiglas divider for line ups
- Stainless steel, laminated or paint
- 3 different end panel choices
- Digital thermometer

Important Note:

All refrigerated cases are designed to operate in an environment of 75 degrees and 55% relative humidity. Product must be cooled before being displayed within the case.

DRAIN IS REQUIRED



Standard

35ES-Solid

35ES-4Plx



Technical Data

| Model No. | Remote or Self Contained | | | Remote Only | | | |
|----------------------------------|----------------------------|----------------------------|----------------------------|----------------------------|----------------------------|----------------------------|--|
| | OM35E-3S-LS | OM35E-4S-LS | OM35E-6S-LS | OM35E-8S-LS | OM35E-10S-LS | OM35E-12S-LS | |
| Length with (2) ends | 39" | 51" | 75" | 99" | 123" | 147" | |
| Length without ends | 36" | 48" | 72" | 96" | 120" | 143" | |
| Height with ends | 78.5" | 78.5" | 78.5" | 78.5" | 78.5" | 78.5" | |
| Height without ends | 78" | 78" | 78" | 78" | 78" | 78" | |
| Depth with ends | 34.5" | 34.5" | 34.5" | 34.5" | 34.5" | 34.5" | |
| Depth without ends | 34.25" | 34.25" | 34.25" | 34.25" | 34.25" | 34.25" | |
| Endless design | YES | YES | YES | YES | YES | YES | |
| <i>(Dimensions are +/- 1/4")</i> | | | | | | | |
| Operating temperature | 34°F to 38°F | 34°F to 38°F | 34°F to 38°F | 34°F to 38°F | 34°F to 38°F | 34°F to 38°F | |
| Refrigerant (exp. valve) | SC R404A | R404A | R404A | (2) R404A | (2) R404A | (2) R404A | |
| Compressor size HP | SC 1/2 | 3/4 | 1 | not included | not included | not included | |
| Defrost per day (24 hours) | Air Defrost 3 @ 30 min. | 3 @ 30 min. | 3 @ 30 min. | 3 @ 30 min. | 3 @ 30 min. | 3 @ 30 min. | |
| BTU's at +20°F Evap. Temp. | R 4750 | 7080 | 9400 | 13084 | 16355 | 19626 | |
| Voltage | SC 115 | 115/208-230 | 115/208-230 | 115 | 115 | 115 | |
| Amperage | SC 16 | 13 | 16 | N/A | N/A | N/A | |
| Remote Voltage | R 115 | 115 | 115 | 115 | 115 | 115 | |
| Amperage, lights only | R 2 | 3 | 4 | 6 | 7 | 8 | |
| Cord and plug | SC 5-20P | L14-20P | L14-20P | N/A | N/A | N/A | |
| | R N/A | N/A | N/A | N/A | N/A | N/A | |
| Exterior color | W, B, SS | W, B, SS | W, B, SS | W, B, SS | W, B, SS | W, B, SS | |
| Interior color | W, B, SS | W, B, SS | W, B, SS | W, B, SS | W, B, SS | W, B, SS | |
| # of rows / shelves | 4 / 4 | 4 / 4 | 4 / 8 | 4 / 8 | 4 / 12 | 4 / 16 | |
| Shelf size depth | (1) 14" (1) 16" (2) 18" | (1) 14" (1) 16" (2) 18" | (2) 14" (2) 16" (4) 18" | (2) 14" (2) 16" (4) 18" | (3) 14" (3) 16" (6) 18" | (4) 14" (4) 16" (8) 18" | |
| Shipping Info | | | | | | | |
| Height | 86" | 86" | 86" | 86" | 86" | 86" | |
| Depth | 44" | 44" | 44" | 44" | 44" | 44" | |
| Length | 61" | 61" | 86" | 109" | 135" | 157" | |
| Gross weight SC/R | 700/575 | 965/790 | 1175/1000 | 1580 | 1790 | 2000 | |
| Cubic feet | 130 | 130 | 184 | 233 | 288 | 336 | |

(ALL WHITE OR ALL BLACK, NO EXTRA CHARGE—IF COLORS ARE MIXED AN ADDITIONAL CHARGE WILL APPLY)

Prefix

SC = Self Contained
 R = Remote

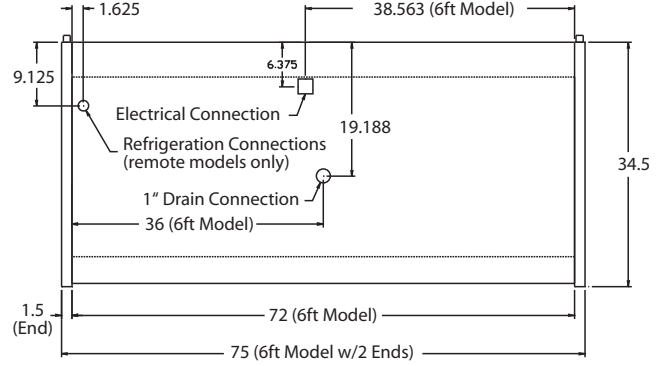
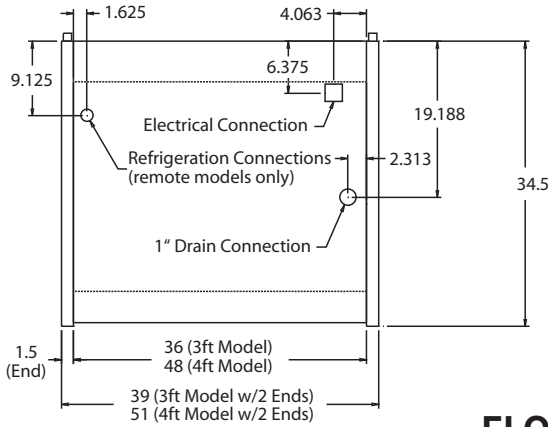
Suffix

B = Black
 S = Stainless Steel
 LS = T8 lighting
 LED = Solid state lighting

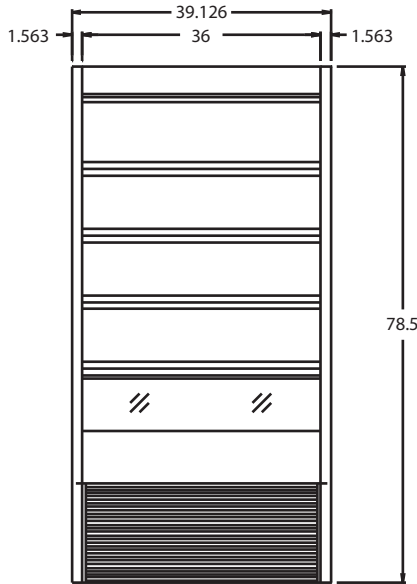
- Cases are designed to operate at 75 degrees Fahrenheit and 55% relative humidity
- Cases are equipped with drains; check your local building codes for connection requirements.
- Specification subject to change without notice



Technical Data • Side View • Plan View

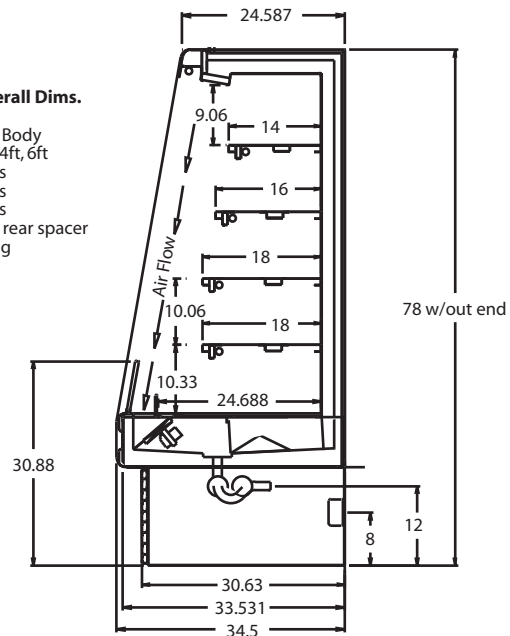


FLOOR PLANS



**FRONT VIEW
 3 FT MODEL**

Cabinet Overall Dims.
 Height - 78.5
 Depth - 34.5 Body
 Length - 3ft, 4ft, 6ft
 1- 14" shelves
 1- 16" shelves
 2- 18" shelves
 Removeable rear spacer
 for air venting



SIDE VIEW

