

## Open Merchandisers - Ovation Series Endless Design 72"H - Produce

• PRODUCT SPECIFICATIONS SHEETS



*Shown is a 60"H Produce case*

- Cases are designed to operate at 75 degrees Fahrenheit and 55% relative humidity

### Self-Contained Remote

|                     | SC-OP30E-3-LS<br>R-OP30E-3-LS | SC-OP30E-4-LS<br>R-OP30E-4-LS | SC-OP30E-6-LS<br>R-OP30E-6-LS | SC-OP30E-8-LS<br>R-OP30E-8-LS |
|---------------------|-------------------------------|-------------------------------|-------------------------------|-------------------------------|
| Length with ends    | 39"                           | 51"                           | 75"                           | 99"                           |
| Length without ends | 36"                           | 48"                           | 72"                           | 96"                           |
| Height with ends    | 72"                           | 72"                           | 72"                           | 72"                           |
| Depth with ends     | 30"                           | 30"                           | 30"                           | 30"                           |

(Dimensions are +/-1/4")

- Specification subject to change without notice

## Open Merchandisers - Ovation Series Endless Design 72"H - Produce

### Standard Specifications and Optional Features

|  |  |
|--|--|
| <p><b>CONSTRUCTION</b><br/>         UL Classified to ANSI/NSF 7<br/>         Foamed in place CFC free foam<br/>         Heavy gauge steel super structure<br/>         Multi deck<br/>         Endless design allows for continuous line up</p>  | <p><b>FINISHES</b><br/>         Designer white or black end panels<br/>         Designer white or black front bumper<br/>         Designer white or black end trim<br/>         Coated galvanized rear</p>   |
| <p><b>INTERIOR</b><br/>         Designer white or black end panels<br/>         Removable designer white or black floor racks<br/>         Designer white or black perforated rear wall (<i>for even air distribution</i>)<br/>         Full length lighting at top of unit<br/>         1 level of 14" shelving with product stops<br/>         Full length mirror to enhance product display<br/>         Stylish tag molding on shelf</p> | <p><b>REFRIGERATION</b><br/>         R404A expansion valve system<br/>         Low velocity fans located below deck area (<i>to insure even flow of air</i>)<br/>         Pressure control maintains constant temperatures<br/>         Automatic defrost controlled by time clock (<i>self contained units only</i>)<br/>         Air screen technology<br/>         Self contained system<br/>         Copeland hermetic unit<br/>         Remotes available</p> |
| <p><b>EXTERIOR</b><br/>         Designer white or black ends and front<br/>         Designer white or black bumper<br/>         Designer white or black end trim<br/>         Removable front grille for cleaning and servicing<br/>         Plexiglas on end panel</p>  | <p><b>LIGHTING</b><br/>         1 row at inside top of unit<br/>         1 lighted shelf with product stop</p>   |
| <p><b>ELECTRICAL REQUIREMENTS</b><br/>         Unit must be hard wired<br/>         UL/CUL Listed<br/>         See technical page for voltage</p>  | <p><b><i>Important Note: All refrigerated cases are designed to operate in an environment of 75 degrees and 55% relative humidity.</i></b></p> <p><b><i>Important Note: DRAIN IS REQUIRED</i></b></p>  |

(ALL WHITE OR ALL BLACK, NO EXTRA CHARGE—IF COLORS ARE MIXED AN ADDITIONAL CHARGE WILL APPLY)

### OPTIONAL FEATURES

|  |   |
|--|---|
| <p>Night cover<br/>         Peg bars<br/>         Condensate pan (4' case only)<br/>         Insulated divider for line ups<br/>         Electronic control system</p> | <p>Stainless steel, laminate or colors<br/>         Security cover<br/>         Plexiglas divider for line ups<br/>         Digital thermometer</p> |
|--|---|



## Open Merchandisers - Ovation Series Endless Design 72"H - Produce

### Technical Data

| Model  | Self contained  | SC-OP30E-3-LS  | SC-OP30E-4-LS  | SC-OP30E-6-LS  | SC-OP30E-8-LS  |
|--|---|--|--|--|--|
|  | Remote  | R-OP30E-3-LS   | R-OP30E-4-LS   | R-OP30E-6-LS   | R-OP30E-8-LS   |
| Length with ends<br>Length without ends<br>Height with ends<br>Depth with ends<br>(Dimensions are +/- 1/4")  |   | 39"<br>36"<br>72"<br>30"   | 51"<br>48"<br>72 "<br>30"  | 75"<br>72"<br>72 "<br>30"  | 99"<br>96"<br>72 "<br>30"  |
| Operating temperature<br>Refrigerant (expansion valve)<br>Compressor size- HP<br>Pressure control settings<br>@ 75°F, 55%RH<br><br>Defrost per day (24 hrs)<br>BTU's at +20°F Evap. Temp.<br>Voltage<br>Amperage<br>Amperage, lights & fans<br>Cord and plug | Self contained<br>Self contained<br><br>CUT IN<br>CUT OUT<br>Hours @ 12pm<br>Remote<br><br>Self contained<br>Remote | 38°F to 41°F<br>R404A<br>1/2<br><br>88<br>54<br>3 @ 30 min.<br>3000<br>115V<br>11.7A<br>1.0A<br>No | 38°F to 41°F<br>R404A<br>1/2<br><br>88<br>54<br>3 @ 30 min.<br>4000<br>115V<br>12.4A<br>1.7A<br>No | 38°F to 41°F<br>R404A<br>3/4<br><br>88<br>54<br>3 @ 30 min.<br>6000<br>115V<br>13.5A<br>2.0A<br>No | 38°F to 41°F<br>R404A<br>3/4<br><br>88<br>54<br>3 @ 30 min.<br>8000<br>115/208-230V<br>12.5A<br>3.4A<br>No |
| Exterior color<br>Interior color<br>Inside end panels<br>Floors  |   | White or Black<br>White or Black<br>White or Black<br>White or Black                               | White or Black<br>White or Black<br>White or Black<br>White or Black                               | White or Black<br>White or Black<br>White or Black<br>White or Black                               | White or Black<br>White or Black<br>White or Black<br>White or Black                                       |

(ALL WHITE OR ALL BLACK, NO EXTRA CHARGE—IF COLORS ARE MIXED AN ADDITIONAL CHARGE WILL APPLY)

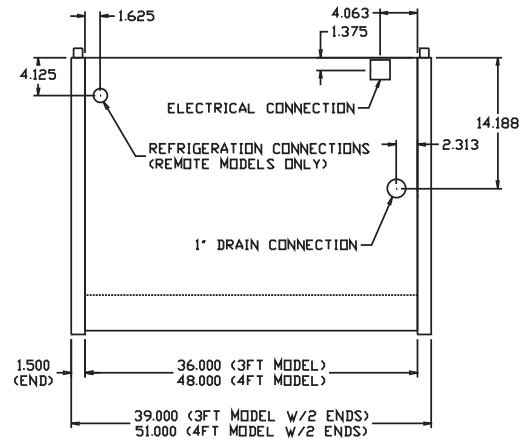
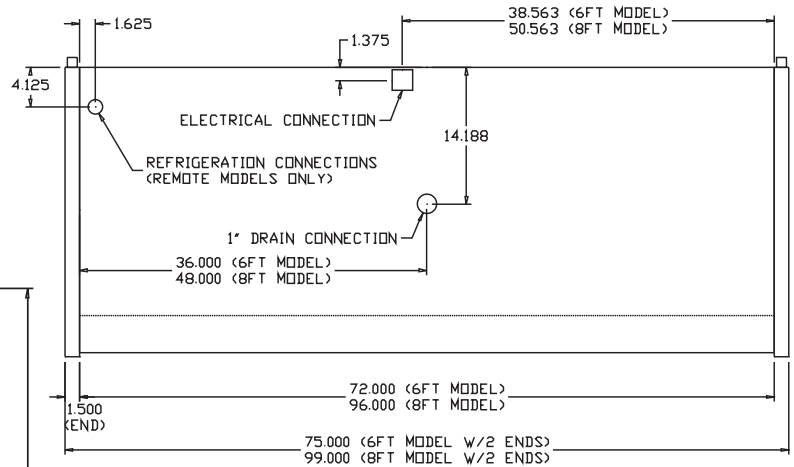
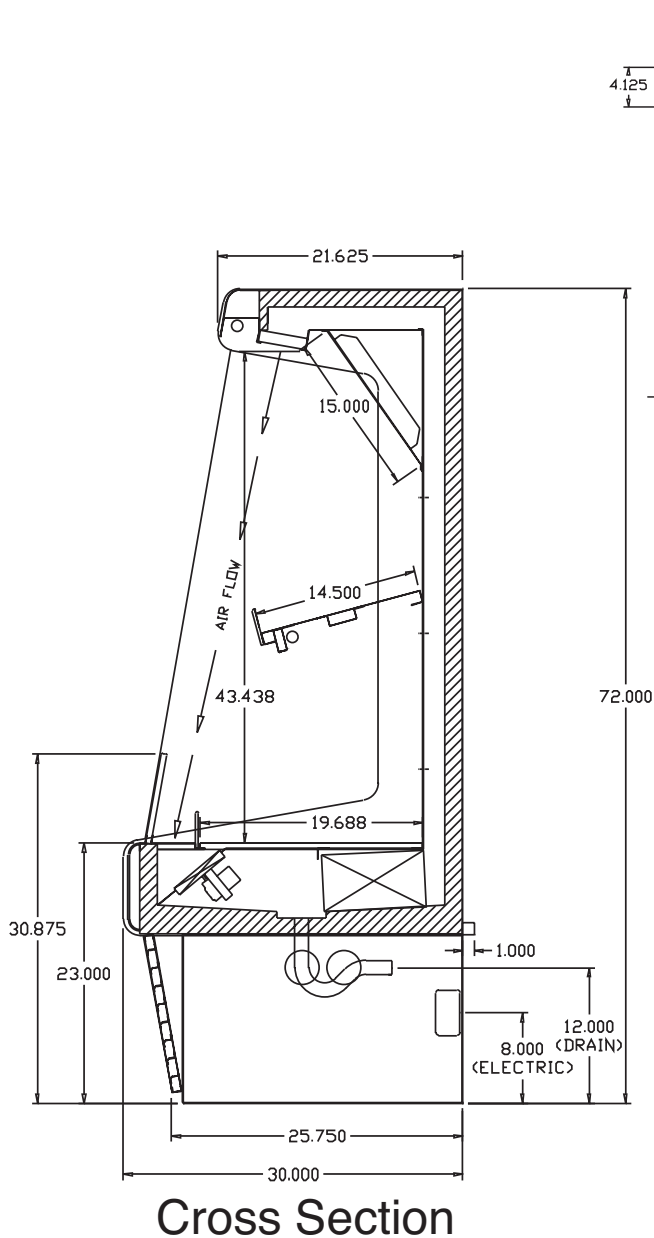
### SHIPPING INFORMATION

|              |                          |                    |                    |                    |                    |
|--------------|--------------------------|--------------------|--------------------|--------------------|--------------------|
| Height       |                          | 76"                | 76"                | 76"                | 76"                |
| Depth        |                          | 44"                | 44"                | 44"                | 44"                |
| Length       |                          | 61"                | 61"                | 87"                | 109"               |
| Gross weight | Self contained<br>Remote | 525#<br>400#       | 605#<br>480#       | 850#<br>700#       | 1075#<br>900#      |
| Cubic feet   |                          | 115ft <sup>3</sup> | 115ft <sup>3</sup> | 166ft <sup>3</sup> | 206ft <sup>3</sup> |

- Cases are designed to operate at 75 degrees Fahrenheit and 55% relative humidity
- Cases are equipped with drains; check your local building codes for connection requirements.
- Specification subject to change without notice

## Open Merchandisers - Ovation Series Endless Design 72"H - Produce

### Technical Data • Side View • Plan View



Plan View