

## 40E Series - Endless Design Curved Glass - Bakery

• PRODUCT SPECIFICATIONS SHEETS



- Cases are designed to operate at 75 degrees Fahrenheit and 55% relative humidity

Self-Contained Remote	SC-CBS40E-4C R-CBS40E-4C	SC-CBS40E-6C R-CBS40E-6C	SC-CBS40E-8C R-CBS40E-8C
Length with (2) ends	51"	75"	99"
Length without ends	48"	72"	96"
Height with ends	53"	53"	53"
Height without ends	52-1/2"	52-1/2"	52-1/2"
Depth with ends	40"	40"	40"
Depth without ends	38-7/8"	38-7/8"	38-7/8"
Endless Design	YES	YES	YES

(Dimensions are +/-1/4")

- Specification subject to change without notice

## 40E Series - Endless Design Curved Glass - Bakery

### Standard Specifications and Optional Features

<p><b>CONSTRUCTION</b>          UL Classified to ANSI/NSF 7          Foamed in place CFC free foam          Heavy gauge steel super structure          Single duty display          Endless design allows for continuous line up          Drain is included for cleaning          Extra wide double bend curved glass (<i>enhances product display</i>)</p>	<p><b>FINISHES</b>          Grey finish extrusion on doors and door tracks          Designer white exterior front and ends          Trim          Stainless steel heavy gauge top- 13-3/4"W          Rear of unit is stainless steel brush finish at top          Bottom rear is designer white aluminum</p>
<p><b>INTERIOR</b>          White interior ends          2 rows of glass shelving          White aluminum floor (main deck area)          Epoxy coated main deck shelves          Air insulated baffle (<i>prevents moisture from dripping into display area</i>)</p>	<p><b>REFRIGERATION</b>          Copevap system eliminates need for condensate pan          R134a expansion valve system          Gravity coil located at inside top of unit          Self contained system          Temperature and defrost electronically controlled          Remotes available</p>
<p><b>EXTERIOR</b>          Double pane rear removable doors          Rear doors use the McGlide door system** (<i>for easy access</i>)          Removable front grille allows for cleaning          Removable rear grille for easy servicing          1-1/2" removable end panels          Front bumper 2"- gray</p>	<p><b>LIGHTING</b>          1 Row of T8 lighting at top of unit</p> <p><b>**McGlide door system is built with a extra tight door jam which helps seal the door tight when closed and prevents cold air from leaving the unit saving energy costs.</b></p>
<p><b>ELECTRICAL REQUIREMENTS</b>          115V/60Hz/1Ph          Hard wired          UL/CUL listed          115V- general purpose receptacle</p>	<p><b><i>Important Note: All refrigerated cases are designed to operate in an environment of 75 degrees and 55% relative humidity.</i></b></p> <p><b><i>Important Note: Product must be cooled before being displayed within the case.</i></b></p>

### OPTIONAL FEATURES

<p>Scale stand          Paper cutter          Stainless steel, laminate, or paint          Mirrored doors          Drop work shelf          Lights for mezzanine shelf</p>	<p>Door locks          Digital thermometer          Front bumpers - optional color and marketing location          Solid shelves          Mirrored ends</p>
--	---



## 40E Series - Endless Design Curved Glass - Bakery

### Technical Data

Model #	Self contained	SC-CBS40E-4C	SC-CBS40E-6C	SC-CBS40E-8C
	Remote	R-CBS40E-4C	R-CBS40E-6C	R-CBS40E-8C
Length with (2) ends Length without ends Height with ends Height without ends Depth with ends Depth without ends Endless design (Dimensions are +/- 1/4")		51" 48" 53" 52-1/2" 40" 38-7/8" Yes	75" 72" 53" 52-1/2" 40" 38-7/8" Yes	99" 96" 53" 52-1/2" 40" 38-7/8" Yes
Operating temperature Refrigerant (expansion valve) Compressor size- HP Electrical control settings at 75°F, 55%RH  Defrost per day (24 hours) BTU's at +20°F Evap. Temp. Voltage Amperage Amperage- lights only Cord and plug	Self contained Self contained  CUT IN CUT OUT Air Defrost Remote Self Contained Remote	38°F to 41°F R134a 1/4  41 36 1 per day 1400 115V 6.0A 0.8A No	38°F to 41°F R134a 1/3  41 36 1 per day 2100 115V 8.7A 1.3A No	38°F to 41°F R134a 1/2  41 36 1 per day 2800 115V 11.2A 1.6A No
Exterior color Interior color Inside end panels Floors # Of top doors # Of coils Bottom storage Front Glass Main deck shelf # Shelf size Mezzanine shelf Cubic Capacity (ft <sup>3</sup> )		White Stainless White White 2 1 No Curved 2 23-1/2"X32-5/8" 2 Rows 24.5	White Stainless White White 2 1 No Curved 3 23-1/2"X32-5/8" 2 Rows 36.8	White Stainless White White 4 1 No Curved 4 23-1/2"X32-5/8" 2 Rows 49

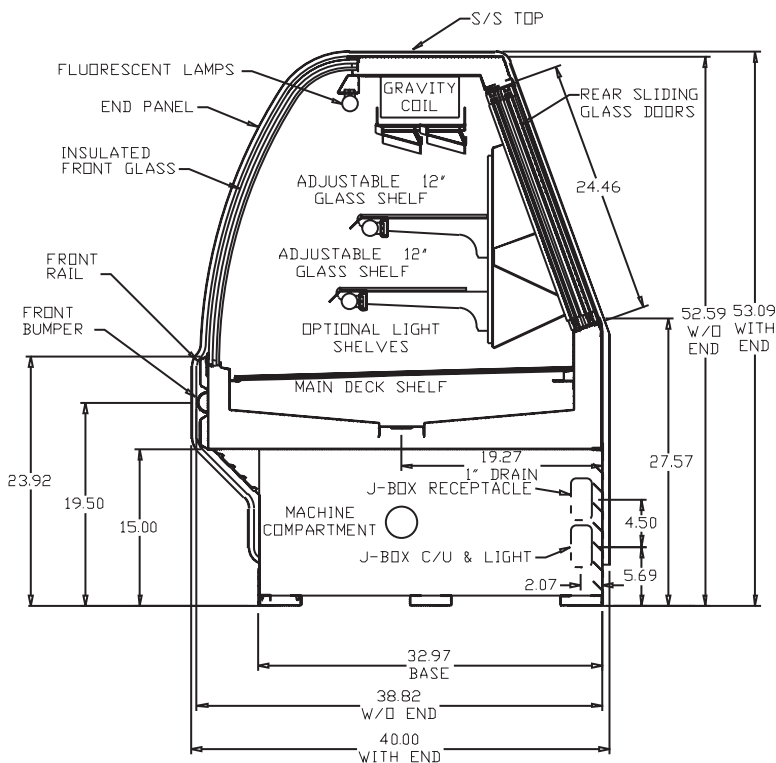
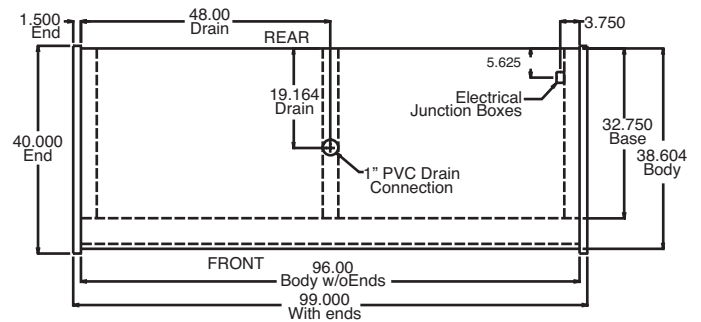
### SHIPPING INFORMATION

Height		58"	58"	58"
Depth		44"	44"	44"
Length		61"	87"	109"
Gross weight	Self contained Remote	530# 497#	741# 693#	897# 832#
Cubic feet		89ft <sup>3</sup>	128ft <sup>3</sup>	164ft <sup>3</sup>

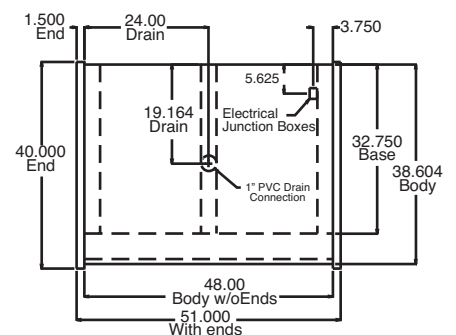
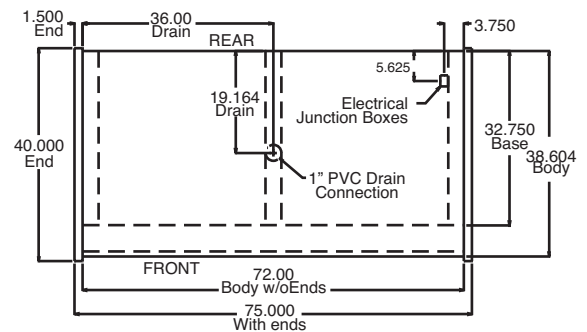
- Cases are designed to operate at 75 degrees Fahrenheit and 55% relative humidity
- Cases are equipped with washout drains; check your local building codes for connection requirements.
- Specification subject to change without notice

## 40E Series - Endless Design Curved Glass - Bakery

### Technical Data • Side View • Plan View



Cross Section



Plan Views