

## Product Specifications Sheets



Shown in Dairy Model

Model No.	Description	Length	Depth	Height	Voltage	Amps	HP/BTUs	Power Cord	Est. Ship Weight
SC-OP35E-3L-LS	Self Contained	39"	34.5"	60"	115	12	1/2	5-15P	655
SC-OP35E-4L-LS	Self Contained	51"	34.5"	60"	115	13.7	1/2	5-15P	685
SC-OP35E-6L-LS	Self Contained	75"	34.5"	60"	115/208-230	13.1	3/4	L14-20P	850
R-OP35E-3L-LS	Remote	39"	34.5"	60"	115	2	3550	No	520
R-OP35E-4L-LS	Remote	51"	34.5"	60"	115	3	5200	No	550
R-OP35E-6L-LS	Remote	75"	34.5"	60"	115	4	7800	No	X710

MODEL NUMBER SUFFIX - B = Black W = White SS = Stainless Steel

- Cases are designed to operate at 75 degrees Fahrenheit and 55% relative humidity
- Specification subject to change without notice



**Standard Specifications and Optional Features**

**CONSTRUCTION**

- UL Classified to ANSI/NSF 7
- Foamed in place CFC free foam
- Heavy gauge steel super structure
- Multi deck
- Endless design allows for continuous line up

**INTERIOR**

- White, black, or stainless steel end panels
- Removable white, black, or stainless steel floor pans
- White, black, or stainless steel perforated rear wall (for even air distribution)
- Full length lighting at top of unit
- 1 levels of shelving
- 2 levels of product display
- Full length mirror to enhance product display
- Stylish price tag molding on each shelf

**EXTERIOR**

- White, black, or stainless steel ends and front
- Removeable front grill allows for cleaning and servicing
- 1" bumper
- Choice of end panels

**FINISHES**

- White, black, or stainless steel end panels
- White, black, or stainless steel front rail
- White, black, or stainless steel end trim
- Laminate, and custom paints available
- Coated galvanized rear

**LIGHTING**

- 1 row at inside top of unit
- 1 row of lighted shelving

**ELECTRICAL REQUIREMENTS**

- Cord and Plug
- 3' - 4' 115V, 5-20P,
- 6' 115/208/230, L14-20P
- See Tech page for details on voltage

**REFRIGERATION**

- R404A expansion valve system
- Low velocity fans located below deck area (to insure even flow of air)
- Electronic Control System with automatic air defrost to Maintain Balanced Temperatures
- New high efficiency air screen technology
- Self contained system
- Copeland hermetic unit
- Remotes available

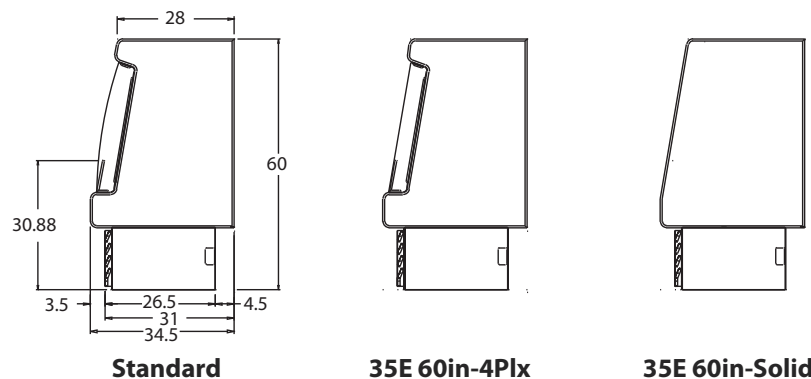
**OPTIONAL FEATURES**

- LED lights
- Night covers
- Security cover
- Peg bars
- Step shelves
- Electric condensate pan, with separate plug
- Insulated divider for line ups
- Plexiglas divider for line ups
- Stainless steel, laminated or paint
- Plexiglas divider for line ups
- 3 Different end panel choices
- Digital thermometer

**Important Note:**

**All refrigerated cases are designed to operate in an environment of 75 degrees and 55% relative humidity. Product must be cooled before being displayed within the case.**

**DRAIN IS REQUIRED**



**Technical Data**

Model No.	SC R	SC-OP35E-3L-LS or LED R-OP35E-3L-LS or LED	SC-OP35E-4L-LS or LED R-OP35E-4L-LS or LED	SC-OP35E-6L-LS or LED R-OP35E-6L-LS or LED
Length with (2) ends		39"	51"	75"
Length without ends		36"	48"	72"
Height with ends		60"	60"	60"
Height without ends		59.5"	59.5"	59.5"
Depth with ends		34.5"	34.5"	34.5"
Depth without ends		34"	34"	34"
Endless design		YES	YES	YES
<i>(Dimensions are +/- 1/4")</i>				
Operating temperature		36°F to 40°F	36°F to 40°F	36°F to 40°F
Refrigerant (expansion valve)	SC	R404A	R404A	R404A
Compressor size HP	SC	1/2	1/2	3/4
Defrost per day (24 hours)	Air Defrost	3 @ 30 min.	3 @ 30 min.	3 @ 30 min.
BTU's at +20°F Evap. Temp.	R	3550	5200	7800
Voltage	SC	115	115	115/208-230
Amperage	SC	12	13.7	13.1
Remote Voltage	R	115	115	115
Amperage, lights only	R	1.4	2.2	2.8
Cord and plug	SC	5-15P	5-15P	L14-20P
	R	NO	NO	NO
Exterior color		W, B, SS	W, B, SS	W, B, SS
Interior color		W, B, SS	W, B, SS	W, B, SS
# of rows / shelves		1/1	1/1	1/2
Shelf Size		(1) 16"	(1) 16"	(2) 16"
<b>Shipping Info</b>				
Height		65"	65"	65"
Depth		44"	44"	44"
Length		61"	61"	86"
Gross weight (SC/R)		655/520	685/550	850/710
Cubic feet		100	100	142

**(ALL WHITE OR ALL BLACK, NO EXTRA CHARGE—IF COLORS ARE MIXED AN ADDITIONAL CHARGE WILL APPLY)**

**Prefix**

SC = Self Contained  
 R = Remote

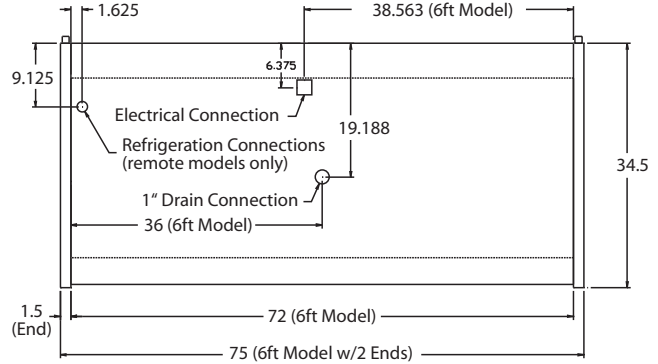
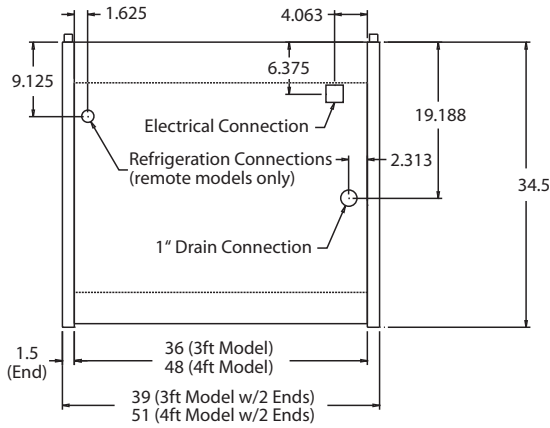
**Suffix**

B = Black  
 W = White  
 SS = Stainless Steel  
 LS = T8 lighting  
 LED = LED lighting

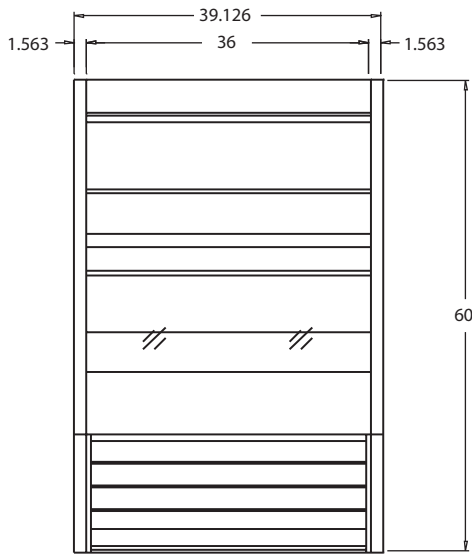
- Cases are designed to operate at 75 degrees Fahrenheit and 55% relative humidity
- Cases are equipped with drains; check your local building codes for connection requirements.
- Specification subject to change without notice



**Technical Data • Side View • Plan View**

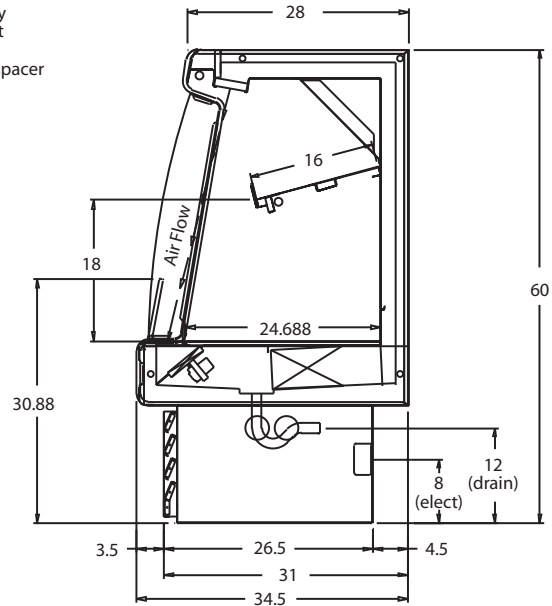


**FLOOR PLANS**



**FRONT VIEW  
3 FT MODEL**

Cabinet overall Dims.  
Height: 60"  
Depth: 34.5" Body  
Length 3ft, 4ft, 6ft  
1-16" shelf  
Removable rear spacer  
for air venting



**SIDE VIEW**

