



Optional Stand - GDS5

GEMD540

The sanitary way to dispense chewable ice and water

- Exclusive Pure Ice® technology ensures protection from odor, bacteria and scaling.
- Touchless dispensing eliminates the risk of cross-contamination.
- Features soft, chewable Pearl Ice®.

Features

- Up to 523 lbs (237 kg) production and 40 lbs (18 kg) storage capacity.
- Perfect for hospitals, health facilities and offices.
- Easily fills various sizes and types of containers.
- Quiet operation.
- Two-spout operation for increased productivity.

Options & Accessories

WATER FILTERS			
Ice Machine Model	Manifold		Inline
	System	Replacement	System
GEMD540	N/A	N/A	IF14C/IF18C

STAND			
Model	Finish	Shipping Weight lbs (kg)	Size in. (mm)
GDS5	Stainless Steel	60 (27)	26 x 22.5 x 30 (660 x 572 x 762)

Ice Maker Warranty

Every Ice-O-Matic ice maker is backed by a warranty that provides both parts and labor coverage.

- Two years **Parts** and **Labor**.
- Five years **Parts** coverage on the compressor.

Ice Form



PEARL ICE

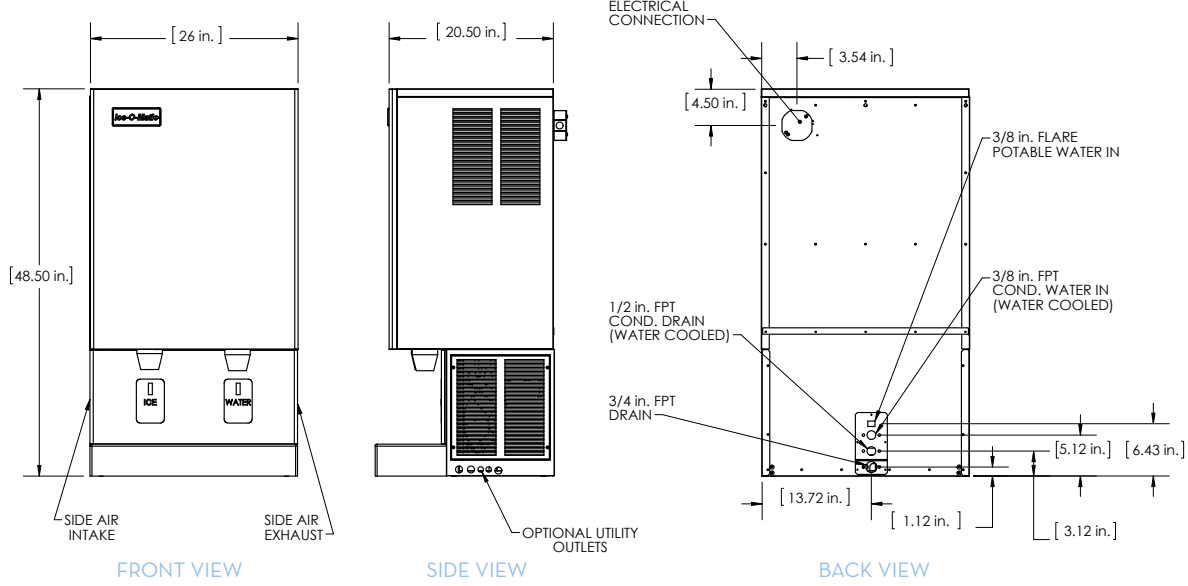
PEARL ICE DIMENSIONS	
H x Dia. (in.)	1/2 x 3/8
H x Dia. (mm)	12.7 x 9.5

24 Hour Ice Production

Based on Air/Water Temperatures	Air-Cooled 24 Hour Production - lbs (kg)
70° F (21° C)/50° F (10° C)	523 (237)
90° F (32° C)/70° F (21° C)	409 (186)



GEMD540 PEARL ICE®/WATER DISPENSER



INSTALLATION NOTE: Allow 6" minimum space at sides and back for ventilation and utility connections.

Operating Requirements

	MINIMUM	MAXIMUM
	60 Hz	
Ambient Temp. Range Air	50°F (10°C)	100°F (38°C)
Water Temp.	40°F (4.4°C)	
Water Pressure	20 PSIG (1.4 BAR)	120 PSIG (8.3 BAR)
Electrical Voltage	-5%	+10%

Dimensions

ALL MODELS	
W x D x H (in.)	26 x 20.5 x 48.5
W x D x H (mm)	660 x 572 x 1,232

Specifications

Model Number	Cond. Unit	Ice Production per 24 hrs		Water Usage	kWH Used per 100 lbs of ice @ 90°F air/70°F water	Voltage Characteristics	Min. Circuit Ampacity	Fuse Size
		70°F air/50°F water lbs (kg)	90°F air/70°F water lbs (kg)	gallons per 100 lbs of ice 90°F air/70°F water				
GEMD540A	Air	523/237	409/186	Potable	5.4	115/60/1	19.3	25

Number of Vends (Servings) Per Hour From Full Bin + Recovery = Total Vends

Model Number	Bin Storage lbs/kg	1 Hour Recovery Cap. lbs/kg	2 fl. oz. Bin			4 fl. oz. Recovery			6 fl. oz. Bin			8 fl. oz. Recovery		
			2 fl. oz. Bin	2 fl. oz. Recovery	Total 2 fl. oz. Vends	4 fl. oz. Bin	4 fl. oz. Recovery	Total 4 fl. oz. Vends	6 fl. oz. Bin	6 fl. oz. Recovery	Total 6 fl. oz. Vends	8 fl. oz. Bin	8 fl. oz. Recovery	Total 8 fl. oz. Vends
GEMD540A	40/18	22/10	640	349	= 988	320	175	= 494	213	116	= 330	160	87	= 247

- NOTES:
- 1lb approx. = 32 fl. oz.
 - Vends per hour are based on 70°F Air/50°F Water
 - Approx. shipping weight = 280 lbs (127 kg)