



Optional Stand - GDS7

GEMD790

The sanitary way to dispense chewable ice and water

- Exclusive Pure Ice® technology ensures protection from odor, bacteria and scaling.
- Touchless dispensing eliminates the risk of cross-contamination.
- Features soft, chewable Pearl Ice®.

Features

- Up to 720 lbs (327 kg) production and 90 lbs (41 kg) storage capacity.
- Perfect for hospitals, health facilities and offices.
- Easily fills various sizes and types of containers.
- Quiet operation.
- Two-spout operation for increased productivity.

Options & Accessories

WATER FILTERS			
Ice Machine Model	Manifold		Inline
	System	Replacement	System
GEMD790	N/A	N/A	IF14C/IF18C

STAND			
Model	Finish	Shipping Weight lbs (kg)	Size in. (mm)
GDS7	Stainless Steel	100 (45)	35.2 x 27.31 x 45.8 (894 x 694 x 1,163)

Ice Maker Warranty

Every Ice-O-Matic ice maker is backed by a warranty that provides both parts and labor coverage.

- Two years **Parts** and **Labor**.
- Five years **Parts** coverage on the compressor.

Ice Form



PEARL ICE

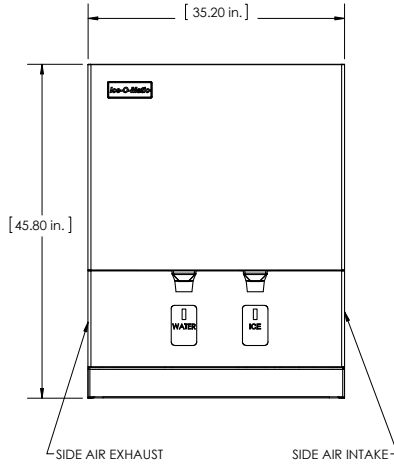
PEARL ICE DIMENSIONS	
H x Dia. (in.)	1/2 x 3/8
H x Dia. (mm)	12.7 x 9.5

24 Hour Ice Production

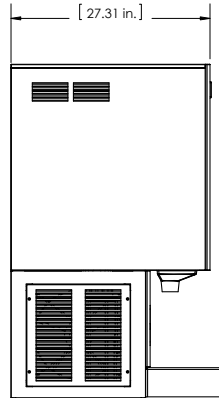
Based on Air/Water Temperatures	Air-Cooled 24 Hour Production - lbs (kg)
70° F (21° C)/50° F (10° C)	720 (327)
90° F (32° C)/70° F (21° C)	540 (245)



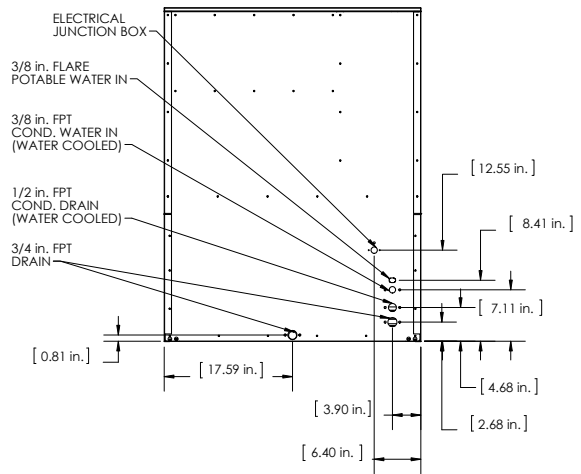
GEMD790 PEARL ICE®/WATER DISPENSER



FRONT VIEW



SIDE VIEW



BACK VIEW

INSTALLATION NOTE: Allow 6" minimum space at sides and back for ventilation and utility connections.

Operating Requirements

	MINIMUM	MAXIMUM
	60 Hz	
Ambient Temp. Range Air	50°F (10°C)	100°F (38°C)
Water Temp.	40°F (4.4°C)	
Water Pressure	20 PSIG (1.4 BAR)	120 PSIG (8.3 BAR)
Electrical Voltage	-5%	+10%

Dimensions

ALL MODELS	
W x D x H (in.)	35.2 x 27.31 x 45.8
W x D x H (mm)	894 x 694 x 1,163

Specifications

Model Number	Cond. Unit	Ice Production per 24 hrs		Water Usage	kWh Used per 100 lbs of ice @ 90°F air/70°F water	Voltage Characteristics	Min. Circuit Ampacity	Fuse Size
		70°F air/50°F water lbs (kg)	90°F air/70°F water lbs (kg)	gallons per 100 lbs of Ice 90°F air/70°F water				
GEMD790A	Air	720/327	540/245	Potable	5.6	115/60/1	18.1	25

Number of Vends (Servings) Per Hour From Full Bin + Recovery = Total Vends

Model Number	Bin Storage lbs/kg	1 Hour Recovery Cap. lbs/kg	2 fl. oz. Bin			4 fl. oz. Recovery			6 fl. oz. Bin			8 fl. oz. Recovery		
			2 fl. oz. Bin	2 fl. oz. Recovery	Total 2 fl. oz. Vends	4 fl. oz. Bin	4 fl. oz. Recovery	Total 4 fl. oz. Vends	6 fl. oz. Bin	6 fl. oz. Recovery	Total 6 fl. oz. Vends	8 fl. oz. Bin	8 fl. oz. Recovery	Total 8 fl. oz. Vends
GEMD790A	90/41	30/14	1440	+ 480	= 1,920	720	+ 240	= 960	480	+ 160	= 640	360	+ 120	= 480

NOTES:

- 1lb approx. = 32 fl. oz.
- Vends per hour are based on 70°F Air/50°F Water
- Approx. shipping weight = 330 lbs (150 kg)