



ICEO400 ON IOD250

### Features

- Only 30" (762 mm) wide.
- Stores 250 lbs (113 kg) of ice.
- Direct Dispense – ensures that ice hits the glass every time.
- Quick Stop – prevents ice overflow and waste.
- Perfect for cube or Pearl Ice® ice makers.
- Power Clean allows access to the bin for easy cleaning without moving the ice machine. Interlock safety switch turns off machine agitation when top-front access panel is removed.
- 1" (25 mm) foam insulation for maximum ice preservation—no more quick-melting ice.
- Constructed from corrosion-resistant stainless steel and fingerprint-proof plastic.
- Auto Rotate – turns the ice for four seconds every hour to consistently provide more dispensable ice.
- Great for hard water, food safety and tight spaces.
- User friendly push-to-dispense operation.

IOD250 ICE ONLY OR WATER/ICE DISPENSER

### Options & Accessories

| Item Number      | Description  | Approximate Shipping Weight lbs (kg) |
|------------------|--|--------------------------------------|
| KWGFID           | Water Glass Filler Kit for 30" IOD                                     | 2 (1)                                |
| KBT25O22         | Adapter and Bin Level Kit for 22" cubers and GEM ice makers on 30" IOD | 24 (11)                              |
| KBT25O30         | Adapter and Bin Level for 30" cubers on 30" IOD                        | 24 (11)                              |
| KGEMDIV & KEBIOD | Required for GEM on 30" IOD  | 3 (1)                                |

### Ice Form



**CUBE**

#### FULL CUBE DIMENSIONS

|                 |                 |
|-----------------|-----------------|
| W x D x H (in.) | 7/8 x 7/8 x 7/8 |
| W x D x H (mm)  | 22 x 22 x 22    |

#### HALF CUBE DIMENSIONS

|                 |                 |
|-----------------|-----------------|
| W x D x H (in.) | 3/8 x 7/8 x 7/8 |
| W x D x H (mm)  | 10 x 22 x 22    |



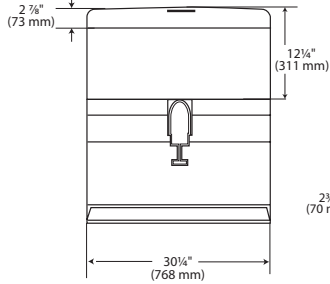
**PEARL ICE**

### ICE PRODUCTION FOR OPTIONAL CUBE OR PEARL ICE MAKERS\*

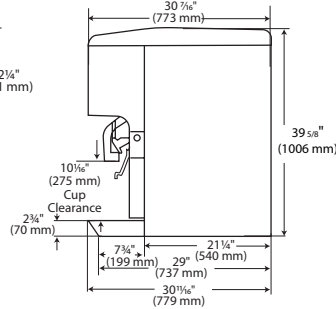
| Model No.     | ICE0250   | ICE0400   | ICE0500   | ICE0606      | GEMO450   | GEMO650   | GEMO956      |
|---------------|-----------|-----------|-----------|--------------|-----------|-----------|--------------|
| Air-Cooled    | 336 (153) | 505 (230) | 600 (273) | 652 (296)    | 464 (210) | 740 (336) | 1,150 (522)  |
| Water-Cooled  | 333 (151) | 496 (225) | 596 (271) | 619 (281)    | 508 (230) | 770 (410) | 1,200 (544)  |
| Remote-Cooled | N/A       | N/A       | 567 (258) | 605 (275)    | N/A       | 770 (410) | 1,200 (544)  |
| Voltage Char. | 115/60/1  | 115/60/1  | 115/60/1  | 208-230/60/1 | 115/60/1  | 115/60/1  | 208-230/60/1 |

\*Tested at 70°F Air/50°F Water.  
\*Pounds (Kilograms) per 24 hours

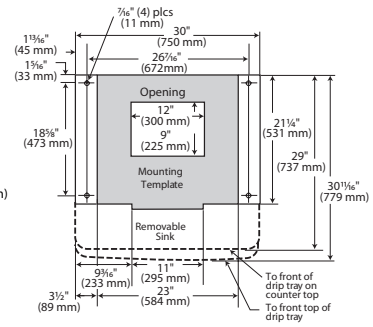
\*All specifications and performance data are subject to normal manufacturing variances.



Front



Side



Recommended counter opening size 9" (229 mm) x 12" (305 mm) for utilities and tubing. Opening can be located anywhere within the shaded area.

Counter Opening

### Operating Requirements

|                         | MINIMUM           | MAXIMUM           |
|-------------------------|-------------------|-------------------|
|                         | <b>60 Hz</b>      |                   |
| Ambient Temp. Range Air | 50°F (10°C)       | 100°F (38°C)      |
| Water Temp.             | 40°F (4.4°C)      |                   |
| Water Pressure          | 20 PSIG (1.4 BAR) | 60 PSIG (4.1 BAR) |

### Dimensions

| ALL MODELS      |                       |
|-----------------|-----------------------|
| W x D x H (in.) | 30.25 x 30.69 x 39.62 |
| W x D x H (mm)  | 768 x 779 x 1006      |

### Specifications

| Model Number | Dispenser Operation | Bin Storage lbs (kg) | Voltage Characteristics | No. of Wires | Min. Circuit Ampacity | Maximum Fuse Size | Approximate Shipping Weight lbs (kg) |
|--------------|---------------------|----------------------|-------------------------|--------------|-----------------------|-------------------|--------------------------------------|
| IOD250       | Push Bar            | 250 (113)            | 115/60/1                | Cord         | 3.5                   | 15                | 197 (89)                             |

**NOTES:**

Number of Wires: 3 (including ground)  
 Approx. Shipping Weight lbs (kg): 197 (89)  
 Cordset included

All specifications and performance data are subject to normal manufacturing variances.

Ice-O-Matic's® machines are not designed for outdoor installations. Ice-O-Matic® remote condensers are designed for outdoor installations.

Machine requires voltage indicated on rating name plate. Failures caused by improper voltage are not considered factory defects. Extended periods of operation at temperature exceeding limitations constitutes misuse under the terms of Ice-O-Matic® Manufacturer's Limited Warranty, resulting in a loss of warranty coverage. Specifications and design are subject to change without notice.