



MF11506 ON B55

Features

- Only 21" (533 mm) wide.
- Produces up to 1,450 lbs (658 kg) of ice per day.
- *SystemSafe* load monitoring system constantly checks workload on gearbox - shutting down system before a problem develops and preventing costly repairs.
- Water sensor eliminates low or no water failures and cannot be affected by adverse water conditions.
- Rugged stainless steel evaporator and auger ensures reliability.
- Industrial-grade roller bearings and heavy-duty gearbox provide years of trouble-free service.

Options & Accessories

WATER FILTERS			
Ice Machine Model	Manifold		Inline
	System	Replacement	System
MF11506	IFQ2	IOMQ (2)	n/a

Ice Maker Warranty

Every Ice-O-Matic ice maker is backed by a warranty that provides both parts and labor coverage.

- Three years **Parts** and **Labor**.
- Five years **Parts** coverage on the compressor.

Ice Form



FLAKED ICE

Bin Chart *Kits for Combining Wider Bins with Smaller Models*

ICE STORAGE BINS											
Kits	Model No.	B25	B40	B42	B55	B100	B700-30	B1000-48	B1300-48	B1325-60	B1600-60
	Capacity Width	242 lbs (110 kg) 30 in (762 mm)	344 lbs (156 kg) 30 in (762 mm)	351 lbs (160 kg) 22 in (559 mm)	510 lbs (232 kg) 30 in (762 mm)	854 lbs (388 kg) 48 in (1219 mm)	680 lbs (308 kg) 30 in (762 mm)	1000 lbs (454 kg) 48 in (1219 mm)	1320 lbs (599 kg) 48 in (1219 mm)	1325 lbs (599 kg) 60 in (1524 mm)	1600 lbs (753 kg) 60 in (1524 mm)
MF11506	KBT19	KBT19	KBT24	KBT19	KBT23	△△**	△△**	△△**	△△**	△△**	
MF11506(2)	N/A	N/A	N/A	N/A	KBT22	N/A	△△**	△△**	△△**	△△**	

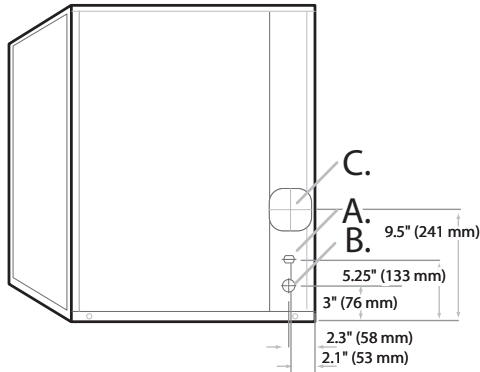
See *Ice-O-Matic Price List* for Adapter Kits to combine ice makers with most available ice/beverage dispensers. △△** Kit not required, though ice clumping issues may arise.



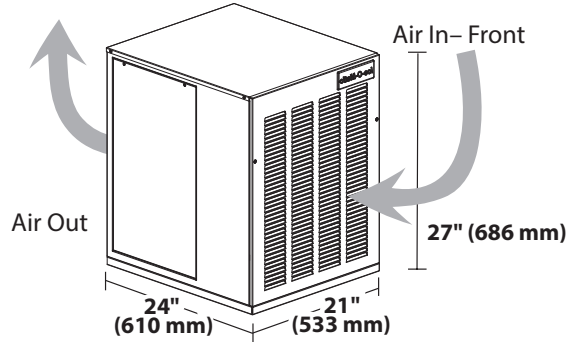
Air Cooled

Please note: air-cooled units require 6" (152 mm) clearance for air intake and exhaust.

- A. Ice maker potable water in, 3/8" FPT.
- B. Drain, 3/4" FPT.
- C. Hole for electrical connection.



Rear View Air Cooled



Operating Requirements

	MINIMUM	MAXIMUM
		60 Hz
Ambient Temp. Range Air	50°F (10°C)	100°F (38°C)
Water Temp.	40°F (4.4°C)	
Water Pressure	20 PSIG (1.4 BAR)	120 PSIG (8.3 BAR)

Dimensions

ALL MODELS	
W x D x H (in.)	21 x 24 x 27
W x D x H (mm)	533 x 610 x 686

Specifications

Model Number	Cond. Unit	Ice Production per 24 hrs		Water Usage gallons per 100 lbs of Ice 90°F air/70°F water		kWH Used per 100 lbs of ice @ 90°F air/70°F water	Voltage Characteristics	Min. Circuit Ampacity	Fuse Size	Approx. BTUs** per hour
		70°F air/50°F water lbs (kg)	90°F air/70°F water lbs (kg)	Potable	Condenser					
MF11506A★	Air	1,450 (658)	1,050 (476)	12.0	-	3.5	208-230/60/1	15.8	20	8,100

NOTES:

Number of Wires: 3 (including ground)
 Approx. Shipping Weight lbs (kg): MF11506 290 (132)
 Refrigerant Type: R404A

★ENERGY STAR qualified machine. Please see our website www.iceomatic.com for the latest list of ENERGY STAR qualified machines and available rebates

Daily ice production based on half cube configuration. Ice-O-Matic reserves the right to change the specifications at any time without obligation. Certifications may vary depending on country of origin.