

Model Numbers

IHR-G36	IHR-GT36
IHR-G36-C	IHR-GT36-C
IHR-G36-XB	IHR-GT36-XB
IHR-G36-M	IHR-GT36-M



1" (25 mm) thick steel polished griddle plate.



"M" shaped burner for even heating throughout the oven cavity.



Accommodate sheet pans front-to-back and side-to-side.



IHR-G36 shown with optional stainless steel backguard and shelf

GRIDDLE TOPS - Highly polished griddle plate provide even heat across entire surface.

- "U" shaped burners have 30,000 (9 KW) BTU output, located every 12" (305 mm) with one control per burner.
- Aeration baffles between burners for quick recovery.
- Manual or thermostatic (GT36) controls are available.
- 4" (102 mm) wide grease gutter and large grease can with 1 gallon (3.8 L) capacity.

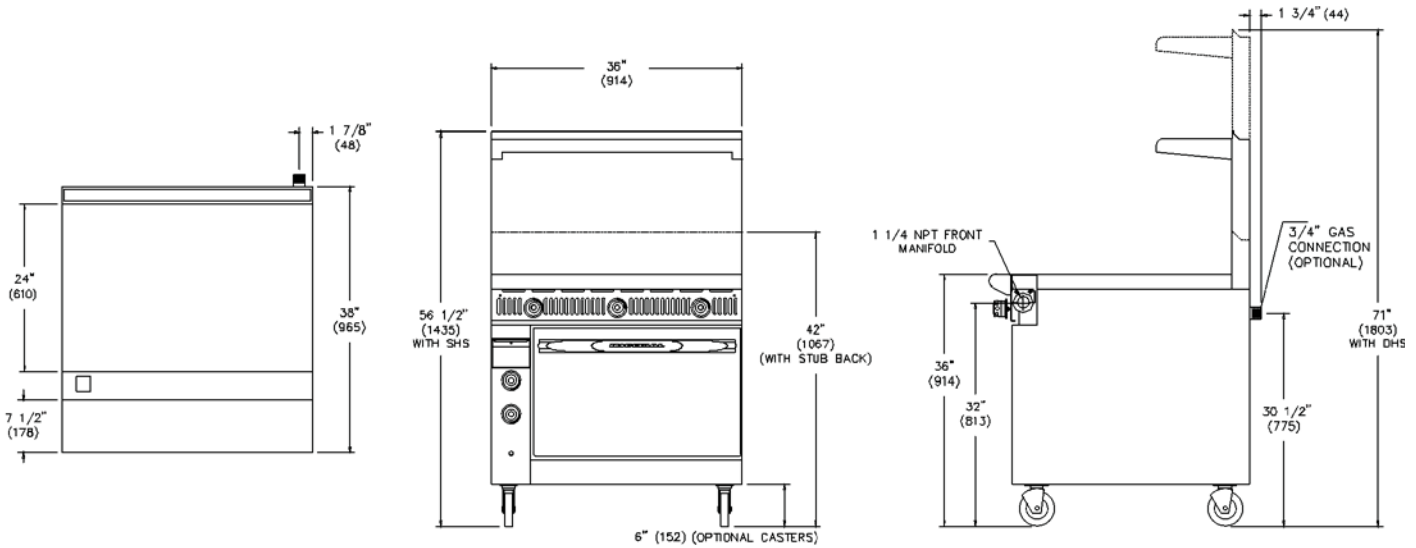
STANDARD OVEN - 40,000 BTU/hr (12 KW) oven with 100% safety pilot and manual shut-off valve.

- Unique burner baffle distributes heat flow to provide even temperatures throughout the oven cavity.
- Exclusive heat deflector reflects heat into the oven, not the floor.
- Chef Depth interior is 26-1/2" w x 26" d x 14" h (673 x 660 x 356 mm) and accommodates 18" x 26" (457 x 660) sheet pans left-to-right and front-to-back.
- Porcelainized sides, rear, deck and inner door liner for easy cleaning.
- Superior heavy-duty door hinge.
- Side oven controls are protected in the cool zone.
- One chrome oven rack is included.

CONVECTION OVEN - 35,000 BTU/hr. (10 KW) convection oven with 1/4 hp blower motor cooks products quickly and evenly with less shrinkage.

- Electronic ignition system with a single solenoid valve.
- Convection oven interior dimensions 26-1/2" w x 22-1/2" d x 14" h (673 x 572 x 356 mm).
- Three position switch for cooking or cool down. Fan shuts off automatically when door is open.
- 1/4 hp blower motor.
- Porcelainized side, rear, deck and door lining for easy cleaning. Stainless steel door gasket.
- Burner "ON" indicator light and one hour manual timer.
- Three chrome oven racks included.





GRIDDLE TOP HEAVY DUTY RANGES

TOP MODEL	GAS OUTPUT BTU (KW)	GRIDDLE TOP DIMENSIONS	SHIP WEIGHT (KG) LBS
GRIDDLE TOP WITH MANUAL CONTROLS			
IHR-G36	130,000 (38)	36" w x 24" d (914 w x 610 d mm)	(267) 610
IHR-G36-C	125,000 (37)	36" w x 24" d (914 w x 610 d mm)	(303) 670
IHR-G36-XB	90,000 (26)	36" w x 24" d (914 w x 610 d mm)	(200) 440
IHR-G36-M	90,000 (26)	36" w x 24" d (914 w x 610 d mm)	(152) 335
GRIDDLE TOP WITH THERMOSTATIC CONTROLS			
IHR-GT36	130,000 (38)	36" w x 24" d (914 w x 610 d mm)	(276) 610
IHR-GT36-C	125,000 (37)	36" w x 24" d (914 w x 610 d mm)	(303) 670
IHR-GT36-XB	90,000 (26)	36" w x 24" d (914 w x 610 d mm)	(200) 440
IHR-GT36-M	90,000 (26)	36" w x 24" d (914 w x 610 d mm)	(152) 335

MANIFOLD PRESSURE	MANIFOLD
NATURAL GAS	PROPANE GAS
SIZE	
5.0" W.C.	10.0" W.C.
Specify elevation, if over 2,000 ft.	

CLEARANCE REQUIREMENTS
For use only on non-combustible floors. Legs or casters are required for non-combustible floors; or 2" (51 mm) overhang is required when curb mounted. Provide 0" clearance from non-combustible surfaces and 8" (203 mm) from combustible surfaces.

- OPTIONS AND ACCESSORIES**
- Heavy duty stainless steel backguards
 - Salamander or Cheesemelter Infra-red Broilers
 - Reinforcement channels for mounting cheesemelter/salamander
 - Stainless steel common front landing ledge 54", 72", 90", 108" (1372, 1829, 2286, 2743 mm)
 - Chrome and Grooved griddle tops
 - Stainless steel interior on open cabinet base
 - Stainless steel double doors on open cabinet base
 - Stainless steel center shelf in open cabinet base
 - Extra chrome racks
 - 3/4" rear gas connection for single unit connection
 - 1-1/4" rear gas connection batteries up to 600,000 BTU (176 KW)
 - Gas shut off valve, 3/4" or 1-1/4", N.P.T.
 - Gas pressure regulator, 3/4" or 1-1/4", N.P.T.
 - Quick disconnect and flexible gas hose, 3/4" or 1-1/4", N.P.T.
 - 6" (152 mm) casters

Measurements in () are metric equivalents.

NOTES

- "C" specifies (1) 26-1/2" (673 mm) Convection Oven
- "XB" specifies (1) Cabinet Base
- "M" specifies Modular, Counter Top Model
- "G" specifies Griddle Top with Manual Controls
- "GT" specifies Griddle Top with Thermostatic Controls

EXTERIOR

- Sleek European styling with wide radius ledge and optional high shelf
- Stainless steel front, sides, backguard, shelf, landing ledge and kick plate
- Welded and polished stainless steel seams
- Enclosed front 1-1/4" (32 mm) manifold
- Common ledges, backguards and shelves are available as options for a seamless, professional look
- Large 7" (178 mm) stainless steel landing ledge
- Unique cast aluminum control knobs feature a heat protection grip
- 6" (152 mm) high 2-1/2" (64 mm) diameter heavy duty legs with adjustable feet
- One year parts and labor warranty

DIMENSIONS

DIMENSIONS	CRATED DIMENSIONS
36" w x 38" d x 36" h* (914 x 965 x 914 mm)	39-1/2" w x 41" d x 35" h (1003 x 1041 x 889 mm)

* to cooktop



H-3

11/13

© 2013 Imperial Commercial Cooking Equipment

Printed in the U.S.A.

1128 Sherborn Street Corona, CA 92879
800.343.7790 Ph: 951.281.1830 Fx: 951.281.1879
www.imperialrange.com
E-mail: imperialsales@imperialrange.com