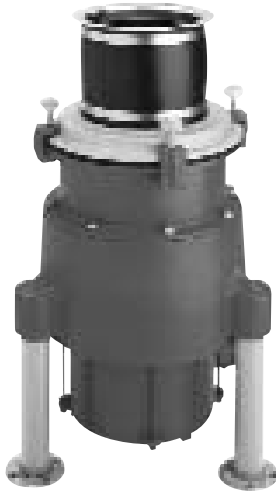


## SERIES S 10" ROTOR COMMERCIAL FOOD WASTE DISPOSER



### DESIGN

This 10" rotor Series "S" Insinger disposer is perfectly suited for the heavy food waste areas of any large commercial kitchen. Located in the soiled dishroom, or in the tray scrapping area of a hospital, high school or cafeteria kitchen, this tough, rugged machine will readily dispose of all food scraps, as well as regular paper waste, including napkins and tray doilies. For a general purpose central waste area disposer this 10" rotor machine with standard 5 HP motor will do a tremendous job in the handling of large quantities of heavy waste. Also recommended for a medium/large restaurant, rib, steak or lobster house.

### STANDARD EQUIPMENT

- 3 HP motor
- 5 HP motor

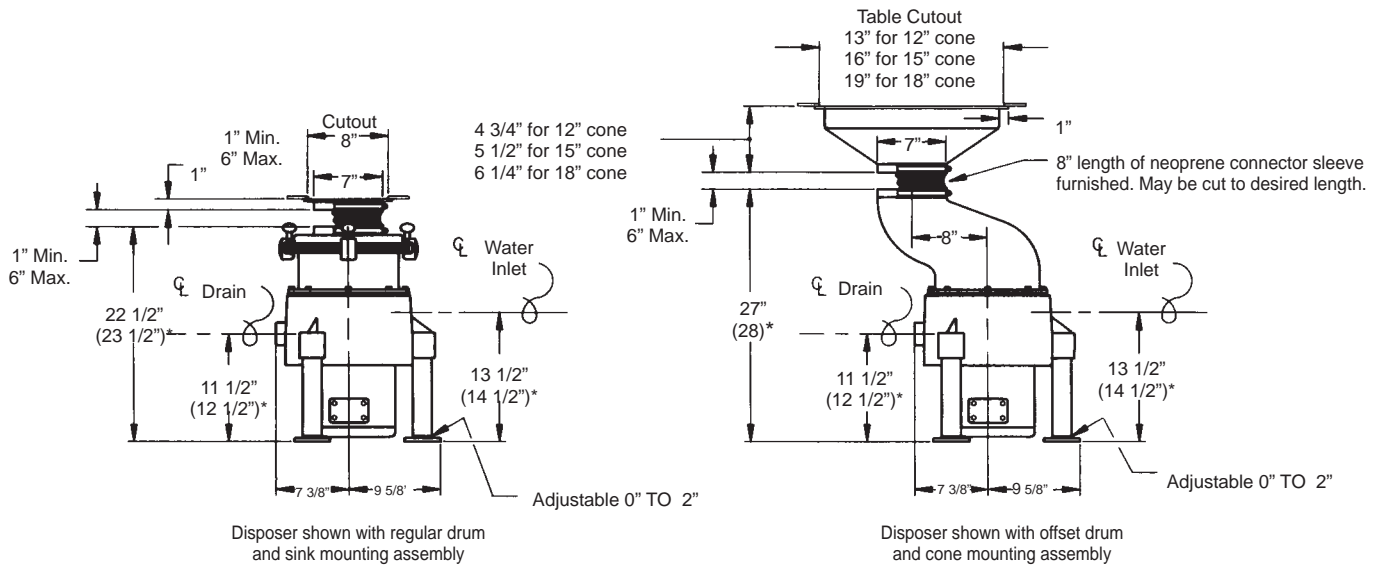
### OPTIONAL EQUIPMENT

- Stainless steel cone or sink attachment (includes vinyl silver trap ring, solenoid valve, flow control valve, vacuum breaker)
- Offset-body for use maximum space utilization, also available for both cone and sink attachments
- Cones- 12", 15" or 18"

NOTE: Sink attachments and s/s cones need to be welded into table



O Style- Optional off-set body  
for use with bowl/cone trough



NOTE: All dimensions shown at 0" foot height adjustment.

Note: For all rough in connections see Installation and Layout Detail Drawing

## DESIGN AND CONSTRUCTION

- Waste chamber design permits dual directional operation when used with reversing control or switch, doubling the life cycle of the shattering mechanism. Regular waste chamber available with 7" throat size.
- Basic body components are cast gray iron, machined, primed and painted. 10" diameter rotor with (2) bolt-on reversible impact bars and sizing ring are cast ductile iron, machined, balanced and heat treated.
- Access to waste chamber by means of a cast aluminum lid having a 7" diameter throat opening, removable by means of quick-release head clamps.
- Flexible drain connector. Fastens quickly to either metal or PVC drain line (2" pipe size).
- Stainless steel legs and feet, adjustable from 0" to 2".
- Disposer connects to cone or sink assembly by means of a neoprene isolation sleeve and (2) stainless steel clamps.
- Offset Design: For maximum space utilization, disposer is also available with an 8" off-set waste chamber for both cone and sink attachments.

## MOTOR

- Reversing, continuous duty, 1725 RPM (1425 RPM, 50 Hz), full rated horsepower, double sealed, permanently lubricated ball bearings.
- Thermal overload protection (heaters) in control; must be sized as required.
- Available in 3 and 5 horsepower, three phase.
- Dual voltage winding: 208-230/460 Volts, 60 Hertz  
190/380 Volts, 50 Hertz

(See table for ampere draw per horsepower, volts & phase)

## CONTROLS

Electrical switches or control centers not included, must be selected as required.

Note: All plumbing and electrical connections should be made according to local codes.

| HP | THREE PHASE |       |
|----|-------------|-------|
|    | Volts       | Amps* |
| 3  | 208         | 4.9   |
|    | 230         | 4.4   |
|    | 460         | 2.2   |
| 5  | 208         | 6.9   |
|    | 230         | 6.2   |
|    | 460         | 3.1   |

\*Ratings are for 60 Hz operation.