



Item # _____

Job _____



Insulated Holding Cabinets C199 FlavorHold™ Series

INSULATED HOLDING CABINETS

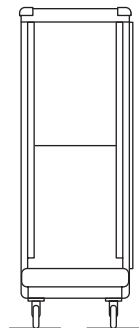
C199 FlavorHold™ Series

Designed for holding and transporting prepared food.

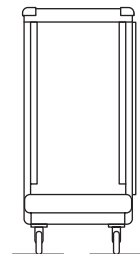
- **Maintains Uniform Temperature:** Four-way blower-forced air circulation – from front, back and sides – assures uniform temperature throughout the cabinet.
- **Dutch Doors Prevent Excess Heat Loss:** Insulated Dutch doors keep heat loss to a minimum while food is being loaded into cabinet or served. Only one door need be opened at a time. Continuous gaskets on both doors. Doors are field reversible.
- **Easy to Clean:** Slide racks and module can be removed easily, without tools, for thorough cleaning. Model 4 racks come in two pairs to fit in pot sinks. Door can also be lifted off for easier access to interior.
- **Transports Food Securely:** Each door has magnetic latches and a full-length handle for easy, one-handed opening by right- or left-handed operators. Each is equipped with a transport latch.
- **Easily Accessible Controls:** The control panel is recessed to protect controls and angled for easy viewing. All controls are on the outside, so they can be adjusted without opening the door and disturbing the atmosphere inside the cabinet.
- **Digital Thermometer:** Mounted in the unit with the sensing bulb stationary inside the cabinet for more consistent readings during frequent cabinet opening.
- **Conserve Energy:** HM2000 holding module circulates heated air inside C199 series holding cabinets to keep prepared food warm until it is served. Fiberglass insulation (1" [25mm] in top, back, sides and doors) retains the heat.
- **Accommodates Various Tray Sizes:** Three slide options – 1½" (38mm), 3" (76mm) and variable – permit cabinets to accommodate various tray sizes. (See specifications on back.) Model 4 and V racks – with 3" (76mm) spacing – also adjust laterally to take both 18" (457mm) and 20" (508mm) width trays and pans.
- **Available In Full and ¾ Height Models** to accommodate a variety of applications.



C199 FlavorHold™ Series



FULL HEIGHT



¾ HEIGHT



InterMetro Industries Corporation
North Washington Street
Wilkes-Barre, PA 18705
www.metro.com

Copyright © 2000 InterMetro Industries Corp.

13.24



INSULATED HOLDING CABINETS

C199 FlavorHold™ Series

Specifications

- Material:** .063" (1.8mm) high-strength, natural-finish aluminum alloy. .188" (4.8mm) chassis.
- Top & Bottom:** Brake-formed from flat sheet into box section.
- Sides & Back:** Smooth wrap-around body, brake-formed at ends forming front corner post and vertical reinforcing rib at center back.
- Doors:** Extruded aluminum frame with double-walled, insulated interior. Double-hinged; each door swings 270 degrees against side; extruded aluminum handle; continuous gasket; dual magnetic latches with transport latch. Doors are field reversible.
- Tray Slide Racks:**
 - Model 4:** Nickel-chrome plated wire rack; 3" (76mm) slide spacing.
 - Model 8:** Custom-designed aluminum extrusions with 1" x 1 1/2" x 1/8" (25 x 38 x 3mm) angle uprights and 1 1/2" x 1/2" x .063" (38 x 12 x 1.8mm) channel slides.
 - Model V:** Custom-designed aluminum extrusions with 1" x 1 1/2" x 1/8" (25 x 38 x 3mm) angle uprights and 3" x 4 1/4" x .100" (76 x 121 x 2.5mm) extruded vari-slides adjustable on 1 1/2" (38mm) centers. 3" (76mm) minimum spacing. All slide racks remove for thorough cleaning.
- Castors:** Two B5DN on back – 5" (127mm) double ball bearing swivel,

ball bearing axle, nickel-plated, donut neoprene-tired, pre-lubricated, bolted through chassis. Two B5DNB on front – same as above, with wheel brake.

- Electrical:** HM2000 Holding Module – 1980 watt, 120 VAC, 16 amp, 60 cycle, controlled by an adjustable thermostat with indicator light. Cabinet operating range is 80°-200° Fahrenheit under normal room temperature conditions. Water pan; master switch, "Power On" light; 7 1/2-foot (2260mm), 3-wire lead cord with NEMA 5-20P straight male plug; blower-forced air circulation through perforated air duct at back. Entire unit may be removed without tools. UL, CUL and NSF listed.

Dimensions

Full Height

Cat. No.	(A) Height		(B) Width		(C) Depth		(D) Inside Height		Approx. Pkd. Wt.	
	(in.)	(mm)	(in.)	(mm)	(in.)	(mm)	(in.)	(mm)	(lbs.)	(Kg)
C199-H8N C199-HL8N*	69 3/4	1772	28	711	33 1/2	851	52 3/4	1340	255	116
C199-H4N C199-HL4N*	69 3/4	1772	28	711	33 1/2	851	52 3/4	1340	268	122
C199-HVN C199-HLVN*	69 3/4	1772	28	711	33 1/2	851	52 3/4	1340	284	130

3/4 Height

Cat. No.	(A) Height		(B) Width		(C) Depth		(D) Inside Height		Approx. Pkd. Wt.	
	(in.)	(mm)	(in.)	(mm)	(in.)	(mm)	(in.)	(mm)	(lbs.)	(Kg)
C199T-H8N C199T-HL8N*	57 3/4	1467	28	711	33 1/2	851	40 3/4	1035	192	87
C199T-H4N C199T-HL4N*	57 3/4	1467	28	711	33 1/2	851	40 3/4	1035	192	87
C199T-HVN C199T-HLVN*	57 3/4	1467	28	711	33 1/2	851	40 3/4	1035	192	87

*1440-watt lower voltage model. Has 6-foot (1829mm) 3-wire cord with NEMA 5-15P straight male plug. For 15 amp service.

NOTE: Brakes are standard on two casters, for the units listed above.

Accessories

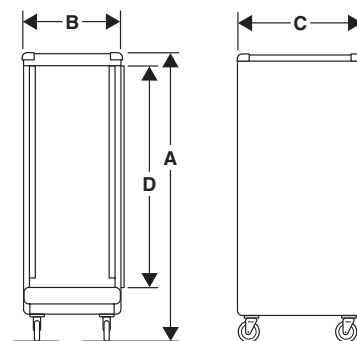
Model	Description
PH199	Handle
B**	Corner Bumper
VS4N*	Extra Vari-slides (for C199-HVN only; will take 5 extra pr. max.)

* Standard on units listed above. May be added to previously purchased units.
** Add bumper suffix to cabinet part number (i.e. C199-H8N-B).

Manufactured by:



InterMetro Industries Corporation
 North Washington Street, Wilkes-Barre, PA 18705
 Phone: 570-825-2741 • Fax: 570-825-2852
 For Product Information Call: 1-800-433-2232
 Visit Our Web Site: www.metro.com



Pan Capacity

Cat. No.	Slide Spacing (in.) (mm)	No. Full Ht.	No. 3/4 Ht.	Pan Size (in.)	
					"8N" Models
"4N" Models	3	76	17	13	18 x 26
			17	13	14 x 18
			14	13	20 x 24
			34	26	12 x 20
"VN" Models	Adjustable Min. 3 76	16*	9*	15 x 20	
		32*	18*	10 7/8 x 19 3/4	
		16*	9*	18 x 26	
		22*	18*	11 1/8 x 20	
		11*	9*	20 x 20	
		22*	18*	12 x 18	
		11*	9*	20 x 22	
		22*	18*	12 x 20	
		11*	9*	20 x 24	
		22*	18*	13 x 18	
22*	18*	14 x 18			

*Based on 4 1/2" spacing

