



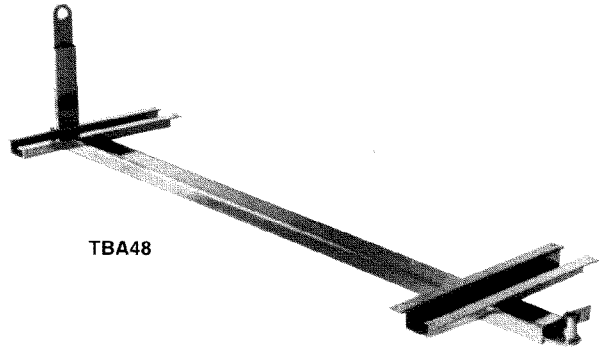
TOW BAR ASSEMBLY

METRO™

Tow Bar Assembly

- **Attaches Directly** to the underside of dolly frame for maximum strength. Sure, instant lock/unlock mechanism.
- **Retractable Nose:** Swings up and out of the way when not in use.
- **Fits** truck sizes measuring 24" x 48" (610mm x 1220mm)
- **Chrome Finish**

Note: "C" plate caster must be used with Tow Bar Assembly. Tow Bar Assembly for use with 24" (610mm) units only.



TBA48