

LO-BOY OVEN BASES



JSLB-036-48

DESCRIPTION:

To be model #JSLB _____ manufactured by Jade. To have 14 gauge all welded body with stainless steel front, sides and top to support counter equipment. Provide pilot safety for each oven with stainless steel throughout. Unit to be provided with 3/4" gas regulator and 6" adjustable legs.

SPECIFY BASE

STANDARD OVEN

To have (1) or (2) conventional oven base with stainless steel lining. Oven sides and bottom to be removable without tools. Provide with one oven rack. Thermostat to adjust from 150°F to 550°F with 35,000 BTU burner. Oven interior: (20" W x 14" H x 24" D)(28" W x 14" H x 24" D.)

CONVECTION OVEN

To have (1) or (2) convection base with 14 gauge stainless steel interior. Provide with one oven rack. Thermostat to adjust from 150°F to 550°F with 30,000 BTU burner. Oven interior: (19-3/4" W x 13-1/2" H x 20-1/2" D) (27-3/4" W x 13-1/2" H x 21-3/4" D).

SPECIFY TYPE OF GAS WHEN ORDERING.

SPECIFY ALTITUDE WHEN ABOVE 2,000 FT.

MODEL NO.

DESCRIPTION

<input type="checkbox"/> JSLB-30	SINGLE OVEN 30" WIDE
<input type="checkbox"/> JSLB-36	SINGLE OVEN 36" WIDE
<input type="checkbox"/> JSLB-036-48	SINGLE OVEN 48" WIDE
<input type="checkbox"/> JSLB-2436	DOUBLE OVEN 60" WIDE
<input type="checkbox"/> JSLB-036-60	SINGLE OVEN 60" WIDE
<input type="checkbox"/> JSLB-3636	DOUBLE OVEN 72" WIDE
<input type="checkbox"/> JSLB-036-72	SINGLE OVEN 72" WIDE

Note: For one convection oven in lieu of standard oven, add "C" to model number.

Example: JSLB-2436C. For two convection ovens in lieu of standard oven, add "CC" to model number. Example: JSLB-3636CC.

STANDARD FEATURES

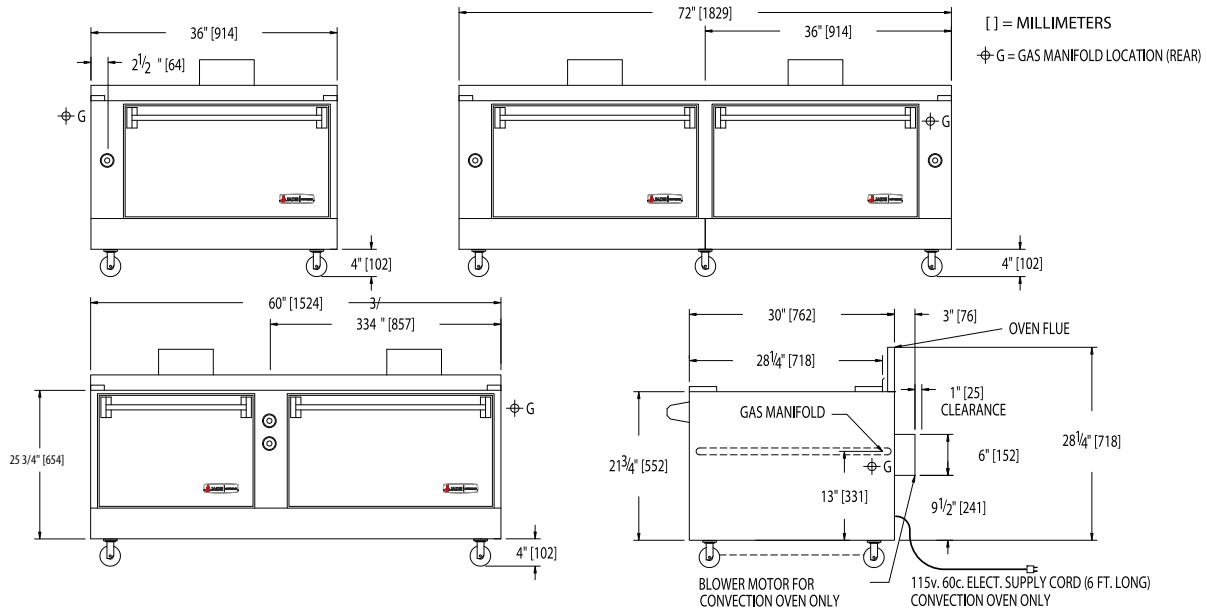
- Stainless steel front, top and sides
- 14 gauge all welded construction
- Stainless steel oven interior, bottom and sides removable on standard ovens.
- One chrome plated oven rack (wires curled and welded around main frame with no sharp ends)
- Oven controls located in cool zone
- Stainless steel gas tubing throughout
- 3/4" gas regulator
- 6" adjustable legs

ACCESSORIES

- 36" flex hose with quick disconnect & restraining device
- 48" flex hose with quick disconnect & restraining device
- Additional oven rack (one supplied per oven)
- 3" Casters (front two locking)
- 6" Casters (front two locking)



LO-BOY OVEN BASES



MODEL	BTUS	WIDTH	DEPTH	HEIGHT	APPX. SHP. WT.
JSLB-30	30,000	30"	31"	SEE DRAWING	225 LBS.
JSLB-36	30,000	36"	31"	SEE DRAWING	240 LBS.
JSLB-48	30,000	48"	31"	SEE DRAWING	290 LBS.
JSLB-2436	60,000	60"	31"	SEE DRAWING	550 LBS.
JSLB-O36-48	30,000	60"	31"	SEE DRAWING	475 LBS.
JSLB-3636	60,000	72"	31"	SEE DRAWING	600 LBS.
JSLB-O36-72	30,000	72"	31"	SEE DRAWING	525 LBS.

ELECTRIC CONVECTION OVEN ONLY:

- Power Supply: 115/60/1 - 6 foot cord with 3 prong plug
- Total maximum amps 4.0/ oven
- Electronic Spark Ignitor: activated by power switch, ignites standing pilot
- Fan Switch: three positions, on for normal operation, on for quick cool down, off.

NOTE: SPECIFY TYPE OF GAS WHEN ORDERING.

UTILITY INFORMATION:

- 3/4" Connection - see drawing for location
- Required operating pressure:
 Natural Gas 5" W.C. minimum
 Propane Gas 10" W.C. minimum
 14" W.C. maximum

Note: This unit must be connected with the gas appliance regulator supplied.