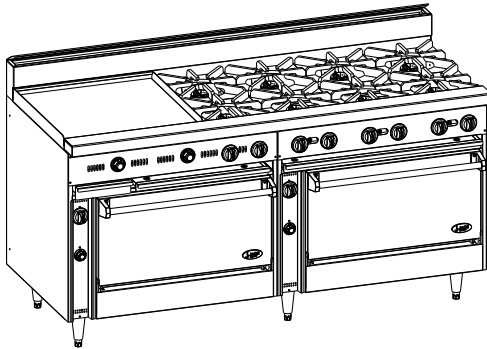




# 72" SHALLOW DEPTH HEAVY-DUTY

*Bistro*

72" SHALLOW DEPTH HEAVY-DUTY



**JBR-24GT-8-3636**  
shown with stub back

**DESCRIPTION:**

To be model #JBR \_\_\_\_\_ manufactured by Jade. Open top sections are to have cast iron 30,000 BTU burners with 12" x 12" steel grate per burner. Griddles are to have polished 1" steel plate with 24,000 BTU burner every 12". Unit to be provided with 3/4" gas regulator.

**SPECIFY BASE:**

**STANDARD OVEN**

To have (1) or (2) conventional oven base with stainless steel lining. Oven sides and bottom to be removable without tools. Provide with one oven rack, with wires curled around main frame and chrome plated. Thermostat to adjust from 150°F to 500°F to have 30,000 BTU/hr burner per oven. Oven interior (20" W x 14" H x 24" D)(28" W x 14" H x 24" D).

**CONVECTION OVEN**

To have (1) or (2) convection oven base with 14 gauge stainless steel interior. Provide with one oven rack, with wires curled around main frame and chrome plated. Thermostat to adjust from 150°F to 500°F to have 30,000 BTU/hr burner. Provide with 1/3 HP 115/60/1 blower motor. Oven interior (19-3/4" W x 13-1/2" H x 20-1/2" D)(27-3/4" W x 13-1/2" H x 20-1/2" D).

**CABINET BASE**

To have open cabinet base constructed of 14 gauge all welded steel.

**SPECIFY TYPE OF GAS WHEN ORDERING.**

**SPECIFY ALTITUDE WHEN ABOVE 2,000 FT.**

**MODEL NO.**

**DESCRIPTION**

<input type="checkbox"/> JBR-12-3636	12 OPEN BURNERS W/ 2 OVENS	
<input type="checkbox"/> JBR-12-36	12 OPEN BURNERS W/ OVEN AND CABINET BASE	
<input type="checkbox"/> JBR-24G-8-3636	24" GRIDDLE, 8 OPEN BURNERS W/ 2 OVENS	
<input type="checkbox"/> JBR-24G-8-36	24" GRIDDLE, 8 OPEN BURNERS, OVEN CABINET BASE	
<input type="checkbox"/> JBR-36G-6-3636	36" GRIDDLE, 6 OPEN BURNERS W/ 2 OVENS	
<input type="checkbox"/> JBR-36G-6-36	36" GRIDDLE, 4 OPEN BURNERS, OVEN, CABINET BASE	
<input type="checkbox"/> JBR-48G-4-3636	48" GRIDDLE, 4 OPEN BURNERS W/ 2 OVENS	
<input type="checkbox"/> JBR-48G-4-36	48" GRIDDLE, 4 OPEN BURNERS, OVEN, CABINET BASE	
<input type="checkbox"/> JBR-60G-2-3636	60" GRIDDLE, 2 OPEN BURNERS W/ 2 OVENS	
<input type="checkbox"/> JBR-60G-2-36	60" GRIDDLE, 2 OPEN BURNERS, OVEN, CABINET BASE	
<input type="checkbox"/> JBR-8-24G-3636	8 OPEN BURNERS, 24" GRIDDLE W/ 2 OVENS	
<input type="checkbox"/> JBR-8-24G-36	8 OPEN BURNERS, 24" GRIDDLE, OVEN, CABINET BASE	
<input type="checkbox"/> JBR-6-36G-3636	6 OPEN BURNERS, 36" GRIDDLE W/ 2 OVENS	
<input type="checkbox"/> JBR-6-36G-36	6 OPEN BURNERS, 36" GRIDDLE, OVEN, CABINET BASE	
<input type="checkbox"/> JBR-4-48G-3636	4 OPEN BURNERS, 48" GRIDDLE W/ 2 OVENS	
<input type="checkbox"/> JBR-4-48G-36	4 OPEN BURNERS, 48" GRIDDLE, OVEN, CABINET BASE	
<input type="checkbox"/> JBR-2-60G-3636	2 OPEN BURNERS, 60" GRIDDLE W/ 2 OVENS	
<input type="checkbox"/> JBR-2-60G-36	2 OPEN BURNERS, 60" GRIDDLE, OVEN, CABINET BASE	
<input type="checkbox"/> JBR-72G-3636	72" GRIDDLE W/ 2 OVENS	
<input type="checkbox"/> JBR-72G-36	72" GRIDDLE, OVEN, CABINET BASE	

**Note:** Add C to model number for one convection oven. Specify left or right location. Add two CC for two convection ovens. EXAMPLE: JBR-10-2436CC

**Note:** For hot top section in lieu of 2 open burners, add 1HT and delete 2 open burners from model number. For example: JBR-1HT-10-3636 (1 hot top, 8 open burners with 2 ovens).

**STANDARD FEATURES**

- Stainless steel front, sides, tray bed and stub back
- 14 gauge stainless steel all welded construction
- Stainless steel removable oven interior
- One chrome plated oven rack per oven (wires curled and welded around main frame with no sharp ends)
- Oven control located in cool zone
- Stainless steel gas tubing throughout
- Stainless steel pilot tips
- 3/4" gas regulator
- Stainless steel stub back

**GRIDDLE**

- 1" thick highly polished steel plate
- One 24,000 BTU burner ever 12"

**OPEN BURNERS**

- 30,000 BTU easy-clean cast iron open burner
- 12" x 12" lift-off steel grates

**AVAILABLE OPTIONS**

- Stainless steel high shelf
- Stainless steel high riser
- Thermostatic griddle control (add T to Model #)
- Grooved griddle surface (add G to Model #)
- Casters

**ACCESSORIES**

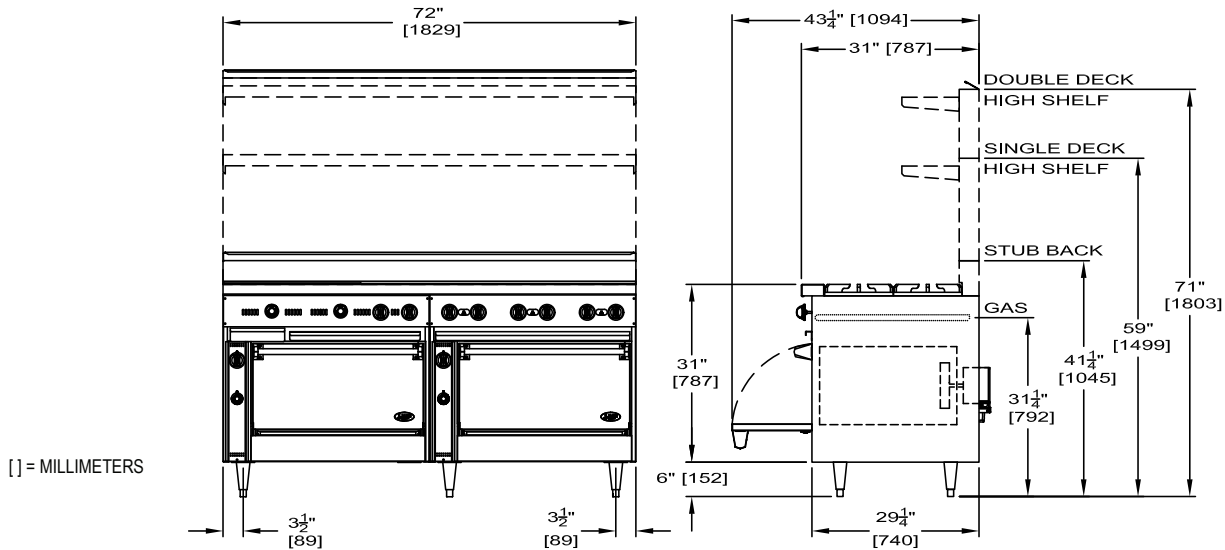
- 6" Casters, front two locking (5" diameter wheel)
- 36" flex hose with quick disconnect & restraining device
- 48" flex hose with quick disconnect & restraining device
- Additional oven rack (one supplied per oven)





# 72" SHALLOW DEPTH HEAVY-DUTY

*Bistro*



MODEL	BTUS	WIDTH	DEPTH	HEIGHT	APPX. SHP. WT.
JBR-12-3636*	420,000	72"	SEE DRAWING	SEE DRAWING	1050 LBS.
JBR-12-36*	390,000	72"	SEE DRAWING	SEE DRAWING	835 LBS.
JBR-24G-8-3636*	348,000	72"	SEE DRAWING	SEE DRAWING	1080 LBS.
JBR-24G-8-36*	318,000	72"	SEE DRAWING	SEE DRAWING	865 LBS.
JBR-36G-6-3636*	312,000	72"	SEE DRAWING	SEE DRAWING	1125 LBS.
JBR-36G-6-36*	282,000	72"	SEE DRAWING	SEE DRAWING	910 LBS.
JBR-48G-4-3636*	276,000	72"	SEE DRAWING	SEE DRAWING	1140 LBS.
JBR-48G-4-36	246,000	72"	SEE DRAWING	SEE DRAWING	925 LBS.
JBR-60G-2-3636	240,000	72"	SEE DRAWING	SEE DRAWING	1165 LBS.
JBR-60G-2-36	210,000	72"	SEE DRAWING	SEE DRAWING	950 LBS.
JBR-8-24G-3636*	348,000	72"	SEE DRAWING	SEE DRAWING	1080 LBS.
JBR-8-24G-36*	218,000	72"	SEE DRAWING	SEE DRAWING	865 LBS.
JBR-6-36G-3636*	312,000	72"	SEE DRAWING	SEE DRAWING	1125 LBS.
JBR-6-36G-36*	282,000	72"	SEE DRAWING	SEE DRAWING	910 LBS.
JBR-4-48G-3636*	276,000	72"	SEE DRAWING	SEE DRAWING	1140 LBS.
JBR-4-48G-36	246,000	72"	SEE DRAWING	SEE DRAWING	925 LBS.
JBR-2-60G-3636	240,000	72"	SEE DRAWING	SEE DRAWING	1165 LBS.
JBR-2-60G-36	210,000	72"	SEE DRAWING	SEE DRAWING	950 LBS.
JBR-72G-3636	204,000	72"	SEE DRAWING	SEE DRAWING	1200 LBS.
JBR-72G-36	174,000	72"	SEE DRAWING	SEE DRAWING	985 LBS.

Note: \* 1" regulator recommended for BTU's of 250K or higher

**ELECTRIC CONVECTION OVEN ONLY:**

- Power Supply: 115/60/1 - 6 foot cord with 3 prong plug
- Total maximum amps 4.0/oven
- Electronic Spark Ignitor: activated by power switch, ignites standing pilot
- Fan Switch: three positions, on for normal operation, on for quick cool down, off.

**NOTE: SPECIFY TYPE OF GAS WHEN ORDERING.**

**UTILITY INFORMATION:**

- 3/4" Connection - see drawing for location
- Required operating pressure:  
 Natural Gas 5" W.C. minimum  
 Propane Gas 10" W.C. minimum  
 14" W.C. maximum

**Note:** This unit must be connected with the gas appliance regulator supplied.



[WWW.JADERANGE.COM](http://WWW.JADERANGE.COM)

JADE RANGE, LLC., A MIDDLEBY COMPANY • 2650 Orbiter Street • Brea, CA 92821 • PHONE: 800-884-5233 FAX: 714-961-2550  
 Note: In line with their policy to continually improve products, Jade reserves the right to change materials and specifications without notice. PRINTED IN USA