



JADE RANGE

ITEM #: _____

QTY: _____

JOB NAME: _____

TITAN Modular Hot Top Range



JMRH-2HT-A
Shown Without Legs

Model No.	Description
<input type="checkbox"/> JMRH-1HT-A	12" One Hot Top Section
<input type="checkbox"/> JMRH-1HT	18" One Hot Top Section
<input type="checkbox"/> JMRH-2HT-A	24" Two Hot Top Sections
<input type="checkbox"/> JMRH-2HT	36" Two Hot Top Sections
<input type="checkbox"/> JMRH-3HT	36" Three Hot Top Sections
<input type="checkbox"/> JMRH-4HT	48" Four Hot Top Sections
<input type="checkbox"/> JMRH-5HT	60" Five Hot Top Sections
<input type="checkbox"/> JMRH-6HT	72" Six Hot Top Sections

STANDARD FEATURES

- Highly polished reinforced cast iron plates
- One 35,000 BTU/hr burner per section
- New!* ■ Variable size multi point gas connection - see utility information for details
- 14 Gauge all welded body construction
- Stainless steel gas tubing throughout
- New!* ■ #304 Stainless steel front, sides and stub back
- #304 Stainless steel adjustable plate shelf
- Stainless steel adjustable legs

OPTIONS

NOTE: When stainless steel specified, Jade Range uses heavy gauge #304 stainless steel

- Stainless steel high riser
- Stainless steel double high riser
- Stainless steel high shelf
- Stainless steel double high shelf
- New!* Stainless steel tubular high shelf
- New!* Stainless steel tubular double high shelf
- Common plate shelf (except fryers) with Item(s) Model(s) _____
- Cap and cover manifold. Left Right

ACCESSORIES

- 6" Casters, front two locking (5" diameter wheel)
- 36" Flex hose with quick disconnect (3/4" connection)
- 48" Flex hose with quick disconnect (3/4" connection)
- 1" Gas pressure regulator (specify gas type)
- 1 1/4" Gas pressure regulator (specify gas type)



JADE RANGE
JADE REFRIGERATION
UTILITY REFRIGERATOR

7355 East Slauson Avenue • Commerce, CA 90040
(323) 728-5700 (800) 884-5233 FAX (323) 728-2318





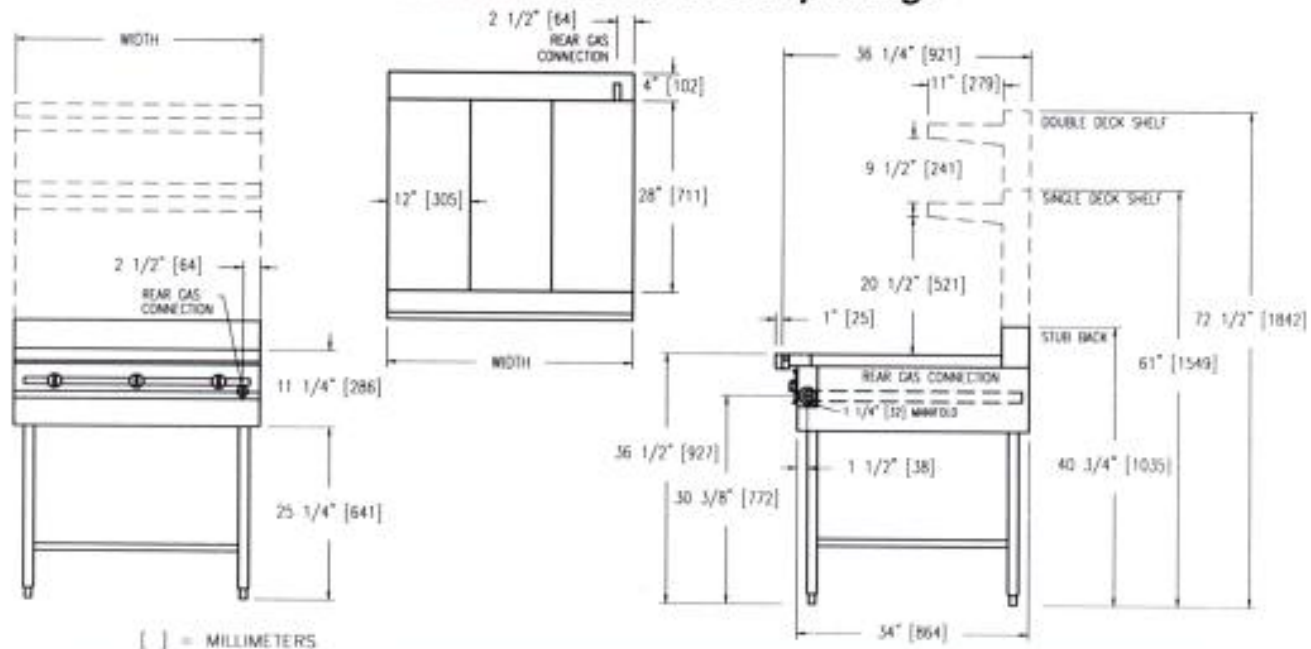
JADE RANGE

ITEM #: _____

QTY: _____

JOB NAME: _____

TITAN Modular Hot Top Range



MODEL	BTU's	WIDTH	DEPTH	HEIGHT	APPX. SHP. WT.
JMRH-1HT-A	35,000	12"	36 1/4"	SEE DRAWING	130 lbs
JMRH-1HT	35,000	18"	36 1/4"		210 lbs
JMRH-2HT-A	70,000	24"	36 1/4"		205 lbs
JMRH-2HT	70,000	36"	36 1/4"		400 lbs
JMRH-3HT	105,000	36"	36 1/4"		410 lbs
JMRH-4HT	140,000	48"	36 1/4"		540 lbs
JMRH-5HT	175,000	60"	36 1/4"		615 lbs
JMRH-6HT	210,000	72"	36 1/4"		690 lbs

SPECIFICATIONS

Heavy duty modular hot top range. To be Model No. JMRH_____, manufactured by Jade Range. Top sections to consist of highly polished reinforced cast iron plates. Provide with 35,000 BTU/hr per burner section, controlled by infinite gas valves. To have 14 gauge all welded body with #304 stainless steel front and sides. Back and bottom to be finished with heat resistant black paint. Stainless steel plate shelf to be adjustable. All gas tubing to be stainless steel throughout. To have stainless steel adjustable legs.

NOTE: Specify type of gas when ordering

UTILITY INFORMATION GAS

- Ranges are supplied with 1 1/4" front manifold connection and a 1" or 3/4" capped rear manifold connection. For rear manifold connection, remove cap. Ranges are supplied with 3/4" gas pressure regulator. For 1 1/4" or 1" gas pressure regulator, see accessories. (Specify required front manifold cap and cover when ordering)
- Required operating pressure: Natural Gas 5" W.C. Propane Gas 10" W.C.

Note: This unit must be connected with an adequately sized pressure regulator (see accessories)



JADE RANGE
JADE REFRIGERATION
UTILITY REFRIGERATOR

7355 East Slauson Avenue • Commerce, CA 90040
(323) 728-5700 (800) 884-5233 FAX (323) 728-2318