



CHITWOOD "SMOKE" BROILER

TITAN CHITWOOD "SMOKE" BROILER



JTKC-36 shown with optional high riser

MODEL NO.	DESCRIPTION
<input type="checkbox"/> JTKC-24	24" CHARBROILER
<input type="checkbox"/> JTKC-36	36" CHARBROILER
<input type="checkbox"/> JTKC-48	48" CHARBROILER
<input type="checkbox"/> JTKC-60	60" CHARBROILER

STANDARD FEATURES

- 14 gauge stainless steel all welded body construction
- Stainless steel front, top rim, stub back and sides
- Heavy duty cast iron grates
- Ceramic briquettes to provide even heat
- Cast iron bottom grates for briquette support
- Cast iron 30,000 BTU/hr. burners with stainless steel radiants
- Variable size multi-point gas connection—see utility information for details
- Infinite control manual gas valves at each burner for precise heat control
- 12 gauge all welded firebox construction
- Exclusive CHITWOOD Smoke-Ejector system to provide maximum smoke to the grill surface. The smoke box is independent of main burner heat for COLD SMOKING
- Two separate 14 gauge steel drip pans to control flare ups
- Stainless steel 6" plate shelf
- Stainless steel cabinet interior and exterior
- Stainless steel gas tubing throughout
- Stainless steel adjustable 6" legs
- 3/4" gas regulator (shipped loose, must be installed for proper operation)

AVAILABLE OPTIONS

- Stainless steel high riser
- Stainless steel double high riser
- Stainless steel tubular high shelf
- Stainless steel tubular double high shelf
- Fish grate (round bars)
- Stainless steel sides
- Common plate shelf with Item(s) Model(s) _____
- Cap and cover manifold. Left Right

ACCESSORIES

- 6" casters, front two locking (5" diameter wheel)
- 36" flex hose with quick disconnect (3/4" connection)
- 48" flex hose with quick disconnect (3/4" connection)
- 1" gas pressure regulator (specify gas type)
- 1-1/4" gas pressure regulator (specify gas type)



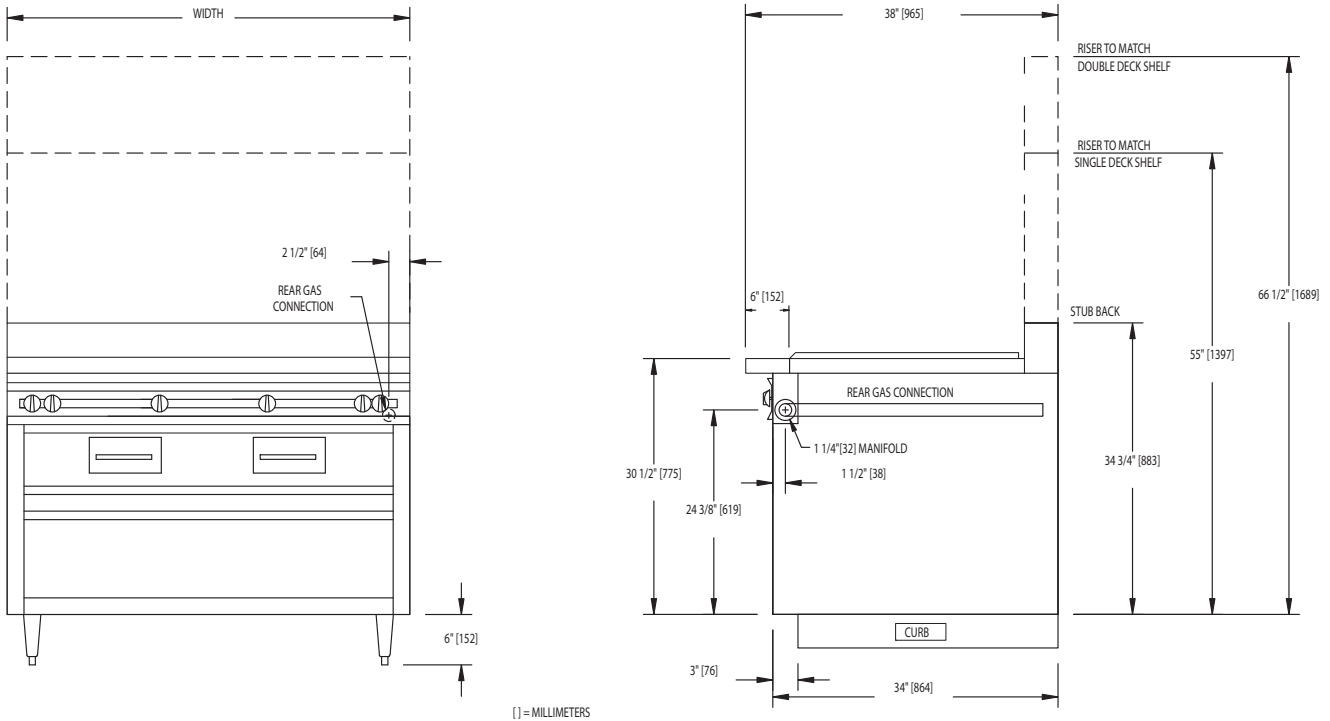
WWW.JADERANGE.COM

JADE RANGE, LLC., A MIDDLEBY COMPANY • 2650 Orbiter Street • Brea, CA 92821 • PHONE: 800-884-5233 FAX: 714-961-2550
 Note: In line with their policy to continually improve products, Jade reserves the right to change materials and specifications without notice. PRINTED IN USA





CHITWOOD "SMOKE" BROILER



MODEL	MAIN BURNERS	SMOKE EJECTORS	WIDTH	DEPTH	BTUS	APPX. SHP. WT.
JTKC-24	2	1	24"	38"	60,000	300 LBS.
JTKC-36	3	1	36"	38"	90,000	350 LBS.
JTKC-48	4	2	48"	38"	120,000	400 LBS.
JTKC-60	5	2	60"	38"	150,000	500 LBS.

DESCRIPTION:

CHITWOOD range match "Smoke" charbroiler. To be model #JTKC _____ manufactured by Jade Range. Furnished with 14 gauge all welded body construction and stainless steel front, sides, top rim, stub back and bottom. Provide with heavy duty cast iron grates. One cast iron burner with stainless steel radiants each 12" of broiler. Provide ceramic briquettes for even heat and 12 gauge firebox with all welded construction. Include exclusive Smoke Ejector system, heavy gauge smoke drawer with independent control for cold smoke applications. Furnish two separate 14 gauge drip pans. To have 6" stainless steel adjustable legs.

SPECIFY TYPE OF GAS WHEN ORDERING.

SPECIFY ALTITUDE WHEN ABOVE 2,000 ft.

NOTE: SPECIFY TYPE OF GAS WHEN ORDERING.

UTILITY INFORMATION:

- Ranges are supplied with 1-1/4" front manifold connection and a 1" or 3/4" capped rear manifold connection. For rear manifold connection, remove cap. Ranges are supplied with 3/4" gas pressure regulator. For 1-1/4" or 1" gas pressure regulator, see accessories. (Specify required front manifold cap and cover when ordering.)
- Required operating pressure:
 Natural Gas 5" W.C. minimum
 Propane Gas 10" W.C. minimum
 14" W.C. maximum

Note: This unit must be connected with the gas appliance regulator supplied.