



JADE RANGE

ITEM #: _____

QTY: _____

JOB NAME: _____

TITAN Cabinet Base Hot Top Range



JTRH-3HT

Model No.	Description
<input type="checkbox"/> JTRH-1HT-A	12" One Hot Top Section
<input type="checkbox"/> JTRH-1HT	18" One Hot Top Section
<input type="checkbox"/> JTRH-2HT-A	24" Two Hot Top Sections
<input type="checkbox"/> JTRH-2HT	36" Two Hot Top Sections
<input type="checkbox"/> JTRH-3HT	36" Three Hot Top Sections
<input type="checkbox"/> JTRH-4HT	48" Four Hot Top Sections
<input type="checkbox"/> JTRH-5HT	60" Five Hot Top Sections
<input type="checkbox"/> JTRH-6HT	72" Six Hot Top Sections

STANDARD FEATURES

- Highly polished reinforced cast iron plates
- One 35,000 BTU/hr burner per section
- New!* ■ Variable size multi point gas connection - see utility information for details
- One Stainless steel pilot per burner
- 14 Gauge all welded body construction
- New!* ■ Stainless steel cabinet - interior and exterior
- Stainless steel gas tubing throughout
- #304 Stainless steel front and stub back
- #304 Stainless steel adjustable plate shelf
- Stainless steel adjustable legs

OPTIONS

NOTE: When stainless steel specified, Jade Range uses heavy gauge #304 stainless steel

- Stainless steel high riser
- Stainless steel double high riser
- Stainless steel high shelf
- Stainless steel double high shelf
- New!* Stainless steel tubular high shelf
- New!* Stainless steel tubular double high shelf
- Stainless steel doors
- Common plate shelf (except fryers) with Item(s) Model(s) _____
- Cap and cover manifold. Left Right

ACCESSORIES

- 6" Casters, front two locking (5" diameter wheel)
- 36" Flex hose with quick disconnect (3/4" connection)
- 48" Flex hose with quick disconnect (3/4" connection)
- 1" Gas pressure regulator (specify gas type)
- 1 1/4" Gas pressure regulator (specify gas type)



**JADE RANGE
JADE REFRIGERATION
UTILITY REFRIGERATOR**

7355 East Slauson Avenue • Commerce, CA 90040
(323) 728-5700 (800) 884-5233 FAX (323) 728-2318





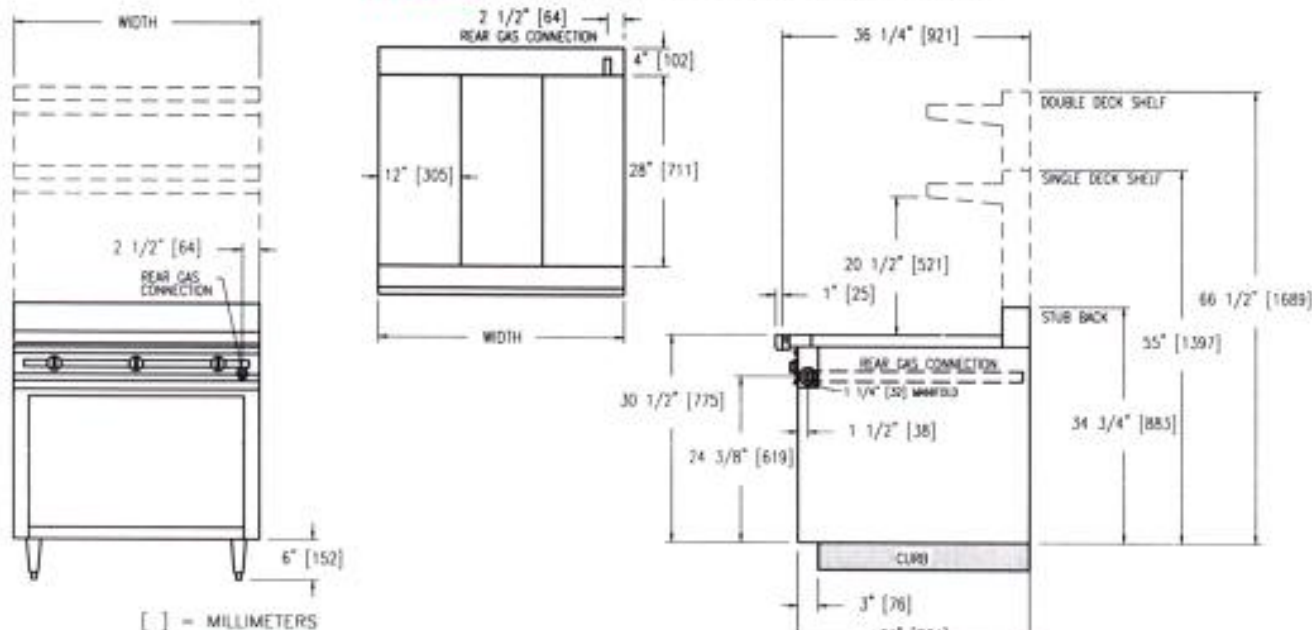
JADE RANGE

ITEM #: _____

QTY: _____

JOB NAME: _____

TITAN Cabinet Base Hot Top Range



MODEL	BTU's	WIDTH	DEPTH	HEIGHT	APPX. SHP. WT.
JTRH-1HT-A	35,000	12"	36 1/4"	SEE DRAWING	200 lbs
JTRH-1HT	35,000	18"	36 1/4"		230 lbs
JTRH-2HT-A	70,000	24"	36 1/4"		280 lbs
JTRH-2HT	70,000	36"	36 1/4"		460 lbs
JTRH-3HT	105,000	36"	36 1/4"		470 lbs
JTRH-4HT	140,000	48"	36 1/4"		670 lbs
JTRH-5HT	175,000	60"	36 1/4"		750 lbs
JTRH-6HT	210,000	72"	36 1/4"		940 lbs

SPECIFICATIONS

Heavy duty cabinet base hot top range. To be Model No. JTRH_____, manufactured by Jade Range. Top sections to consist of highly polished reinforced cast iron plates. Provide with 35,000 BTU/hr per burner section, controlled by infinite gas valves. To have 14 gauge all welded body with #304 stainless steel front, sides, back and bottom. Stainless steel plate shelf to be adjustable. All gas tubing to be stainless steel throughout. To have stainless steel adjustable legs.

NOTE: Specify type of gas when ordering

UTILITY INFORMATION

GAS

- Ranges are supplied with 1 1/4" front manifold connection and a 1" or 3/4" capped rear manifold connection. For rear manifold connection, remove cap. Ranges are supplied with 3/4" gas pressure regulator. For 1 1/4" or 1" gas pressure regulator, see accessories. (Specify required front manifold cap and cover when ordering)
- Required operating pressure: Natural Gas 5" W.C. Propane Gas 10" W.C.

Note: This unit must be connected with an adequately sized pressure regulator (see accessories)



JADE RANGE
JADE REFRIGERATION
UTILITY REFRIGERATOR

7355 East Slauson Avenue • Commerce, CA 90040
(323) 728-5700 (800) 884-5233 FAX (323) 728-2318