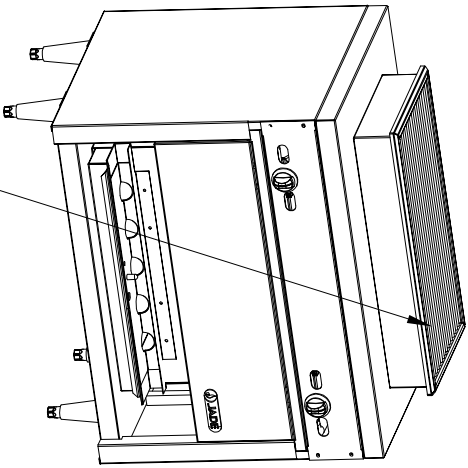


THIS DRAWING IS THE PROPERTY OF JADE RANGE LLC. NO PART OF THIS DOCUMENT MAY BE COPIED OR USED WITHOUT THE WRITTEN PERMISSION. THIS DRAWING IS A CONCEPTUAL LAYOUT. SUBJECT TO CHANGES AS THE FINAL MANUFACTURING PARTS ARE CREATED.

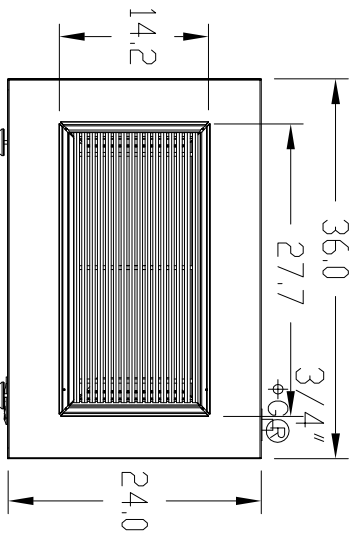
| ITEM# | QTY. | MODEL | DESCRIPTION | BTU/UNIT | AMP. |
|-------|------|----------------|--|----------|------|
| A | 1 | ROBATTIA_36X24 | ROBATTIA, UNDER FIRED INFRARED BROILER | 70,000 | N/A |

| REV. | DESCRIPTION | EN. | BY. | DATE | APPROVED |
|------|-----------------|-----|-----|----------|----------|
| A | INITIAL RELEASE | XXX | SMW | 07/26/11 | |

CHANGES TO DRAWING MAY RESULT IN CHANGES TO DELIVERY DATE & COST

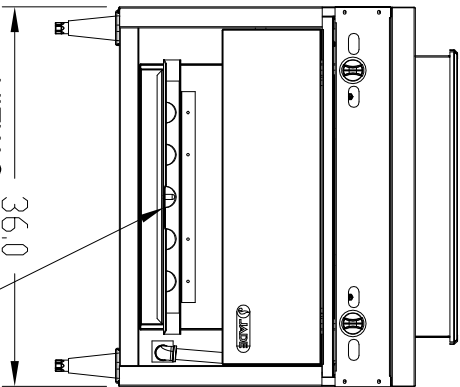
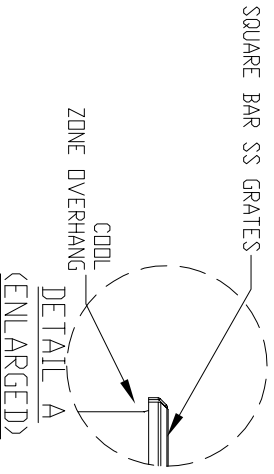


SQUARE BAR SS GRATE



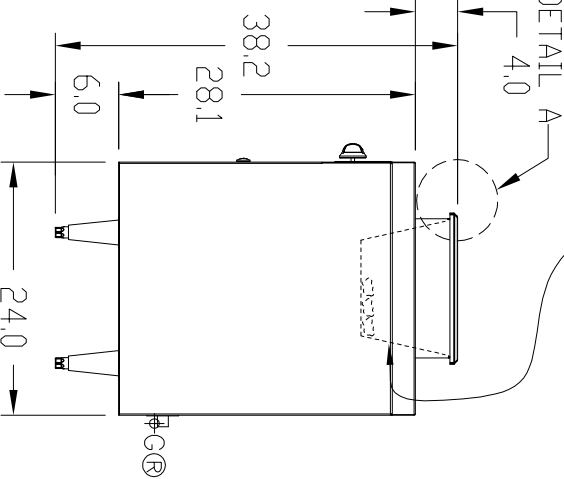
VIEW B

B C D



VIEW C

AIR SHUTTER TEMPERATURE CONTROL

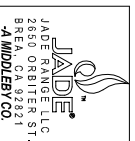


VIEW D

REMOVABLE STAINLESS STEEL WOOD BRIQUETTE BASKET -FOR SMOKE FLAVOR

1. $\phi\text{C}\text{C}\text{3/4}$ GAS REGULATOR & GAS CONNECTION
2. GAS SHUT-OFF VALVES AND CONNECTIONS SUPPLIED BY OTHERS.
3. ALL ELECTRICAL WORK (INSTALLATIONS AND CONNECTIONS) MUST BE PROVIDED BY OTHERS (BY CERTIFIED ELECTRICIAN)

| | |
|-----------------------------|--|
| GAS TYPE: | |
| ELEVATION: | |
| TO BE SPECIFIED BEFORE MFG. | |



UNLESS OTHERWISE NOTED DIMENSIONS ARE IN INCHES AND TOLERANCES: X.XX±0.03 XXX±0.015 ANGLES ±1°

| | | | | |
|----------|-----|----------|-------|----------------|
| DRAWN | SMW | 07/26/11 | FOR | ROBATTIA 36X24 |
| CHECKED | | | SIZE | DWG NO |
| APPROVED | | | | 11185A |
| | | | SCALE | 0.037 |
| | | | SHEET | 1 OF 1 |