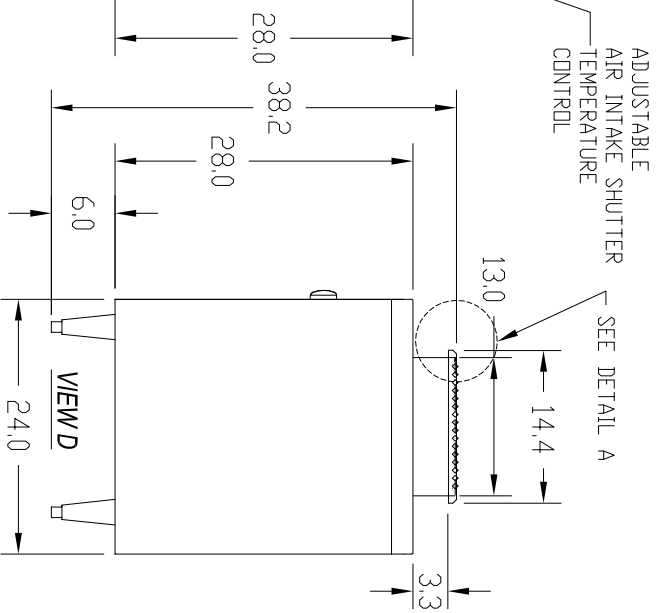
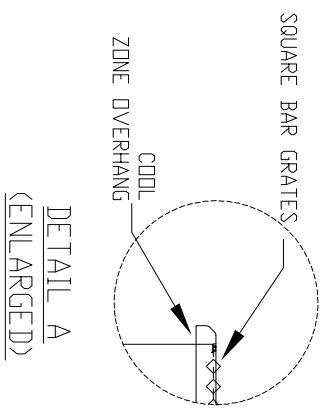
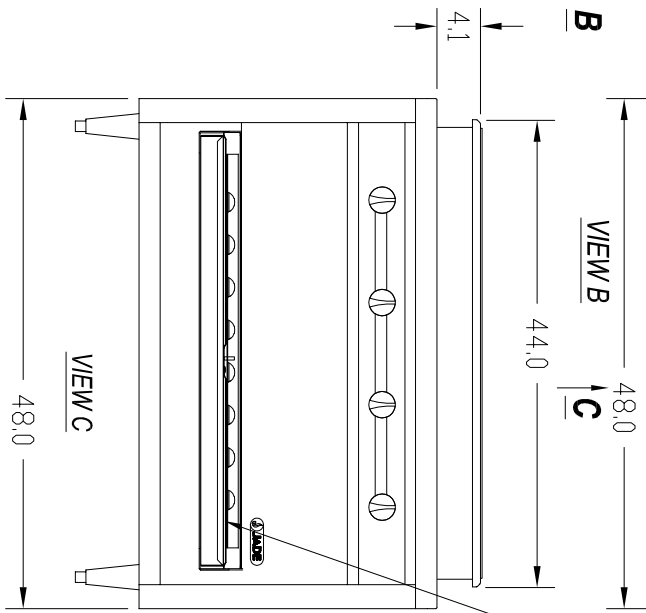
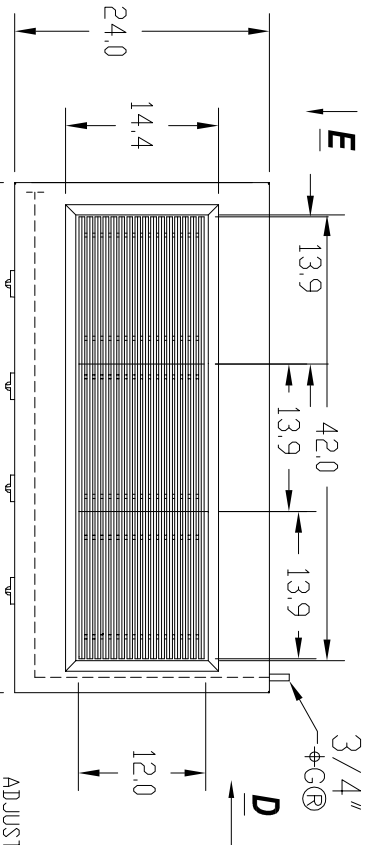
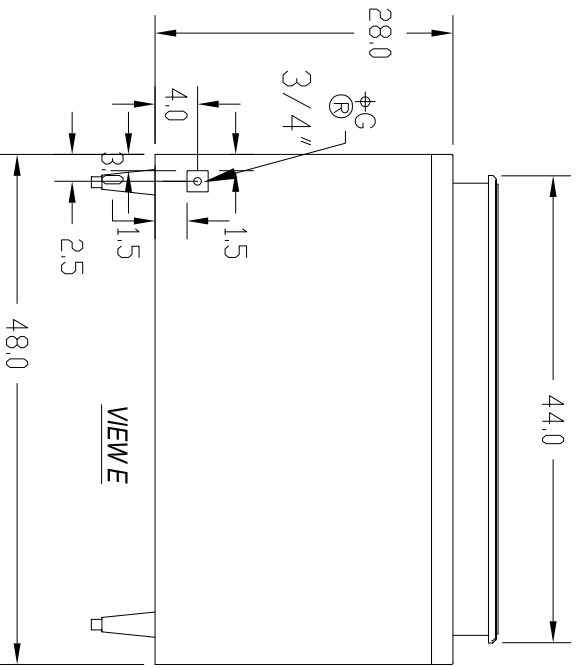
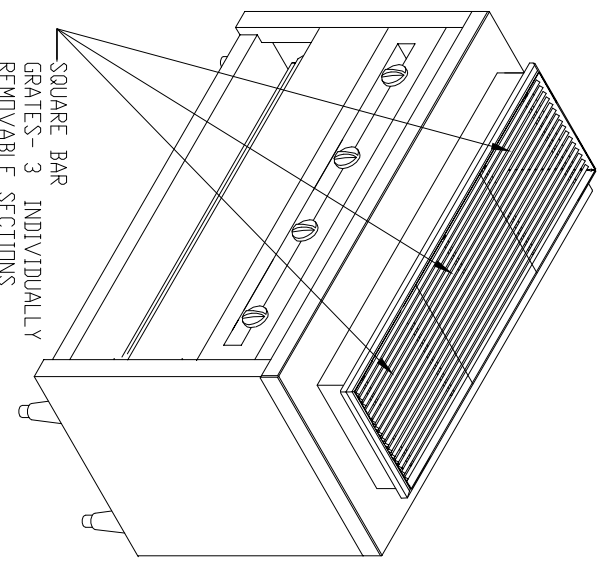


THIS DRAWING IS THE PROPERTY OF JADE PRODUCTS CO. NO PART OF THIS DOCUMENT MAY BE COPIED OR USED WITHOUT THE WRITTEN PERMISSION OF JADE PRODUCTS CO.

GAS TYPE:	
ELEVATION:	
TO BE SPECIFIED BEFORE MFG.	

REVISONS		DESCRIPTION	EN	BY	DATE	APPROVED
REV	A	INITIAL RELEASE	XX	SMW	04.15.08	

QTY.	MODEL	DESCRIPTION	BTU/UNIT	AMP.
1	ROBATA 48	ROBATA, INFRARED BROILER	115,000	N/A



NOTES:

1.  $\phi$ C GAS CONNECTION
  2.  $\text{\textcircled{R}}$  REGULATOR
- GAS SHUT-OFF VALVES AND CONNECTIONS SUPPLIED BY OTHERS

Jade Products Company  
2650 Driveter St  
Brea, CA 92821

UNLESS OTHERWISE NOTED DIMENSIONS ARE IN INCHES AND TOLERANCES: XX±.03 XXX±.015, ANGLES ±1°		DESC		ROBATA 48	
MATERIAL	DRAWN	SMW	04.15.08	FDR	for
FINISH	CHECKED			SIZE	DWG NO
	APPROVED			SCALE	08062A
					SHEET 1 OF 1