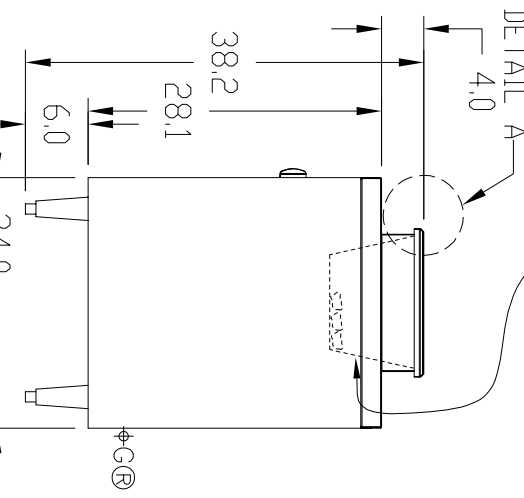
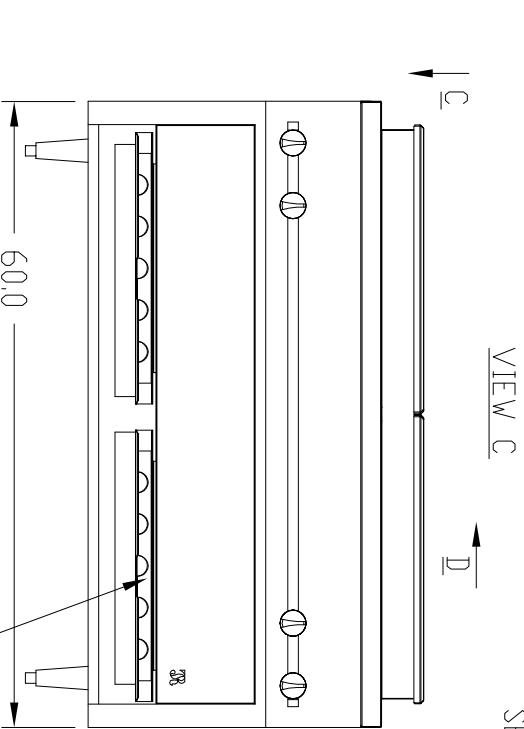
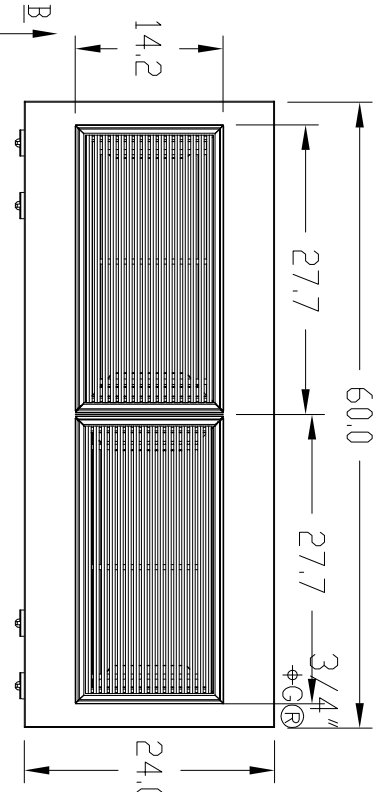
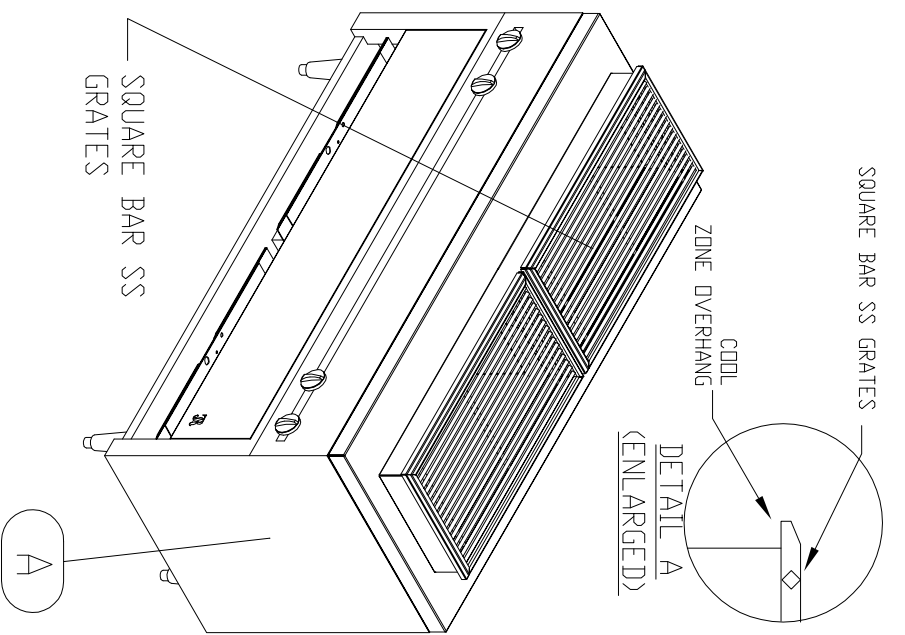


THIS DRAWING IS THE PROPERTY OF JADE RANGE LLC. NO PART OF THIS DOCUMENT MAY BE COPIED OR USED WITHOUT THE WRITTEN PERMISSION.  
 THIS DRAWING IS A CONCEPTUAL LAYOUT, SUBJECT TO CHANGES AS THE FINAL MANUFACTURING PARTS ARE CREATED.

ITEM#	QTY.	MODEL	DESCRIPTION	BTU/UNIT	AMP.
A	1	ROBATA 60X24	ROBATA, UNDER FIRED INFRARED BROILER	140,000	N/A

REVISIONS					
REV	DESCRIPTION	EN	BY	DATE	APPROVED
A	INITIAL RELEASE	XXX	SMW	07/05/11	
CHANGES TO DRAWING MAY RESULT IN CHANGES TO DELIVERY DATE & COST					



1.  $\phi$ C 3/4" GAS REGULATOR & GAS CONNECTION

2. GAS SHUT-OFF VALVES AND CONNECTIONS SUPPLIED BY OTHERS.

3. ALL ELECTRICAL WORK (INSTALLATIONS AND CONNECTIONS) MUST BE PROVIDED BY OTHERS (BY CERTIFIED ELECTRICIAN)

GAS TYPE:	
ELEVATION:	
TO BE SPECIFIED BEFORE MFG.	

UNLESS OTHERWISE NOTED DIMENSIONS ARE IN INCHES AND TOLERANCES: XX.125 XX+.03 XXX+.015 ANGLES .#1\*

DRAWN	SMW	07/05/11	FOR	ROBATA 60X24
CHECKED			SIZE	DWG NO
APPROVED			B	11024A
			SCALE	0037
			SHEET	1 OF 1

JADE RANGE LLC  
 2650 ORIENTER ST.  
 A. Middleby CO.